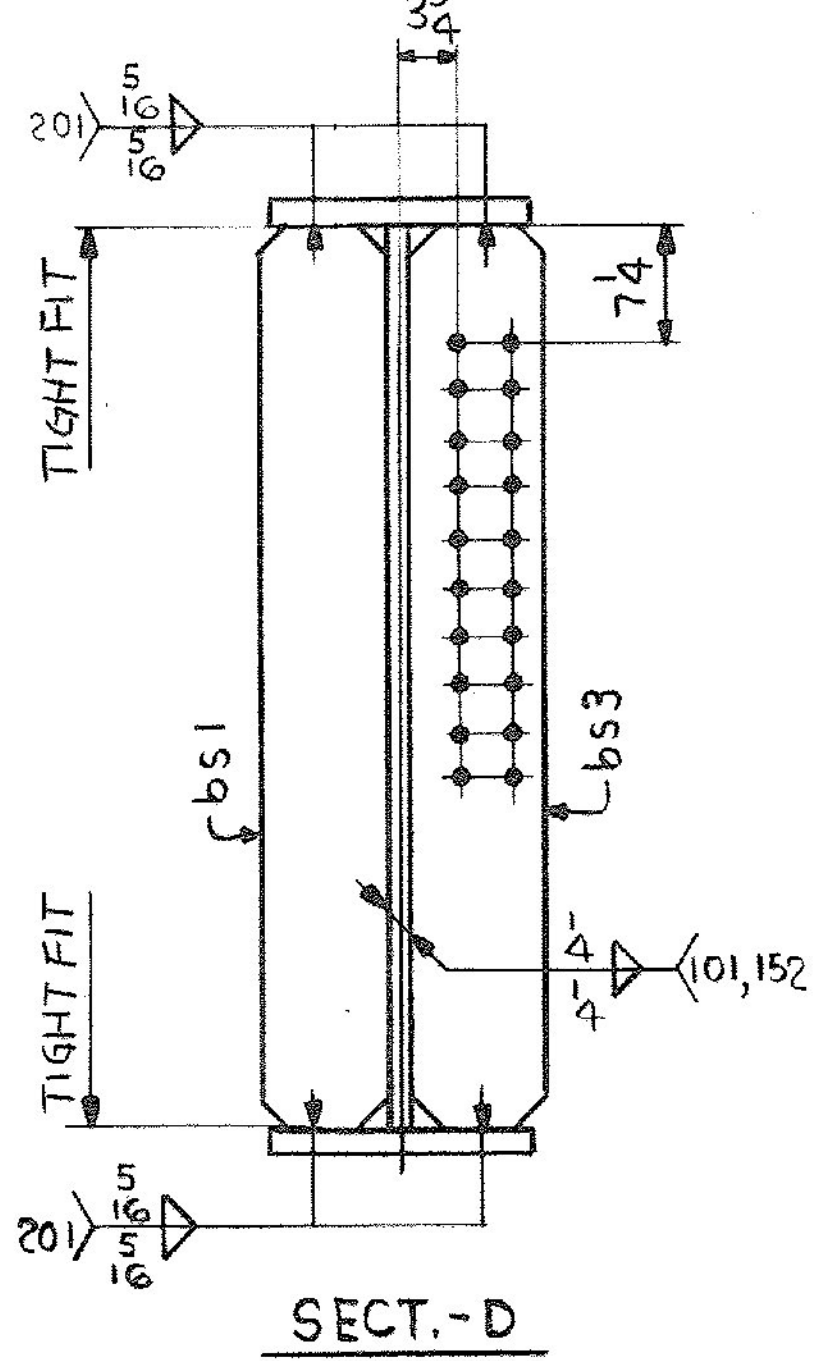
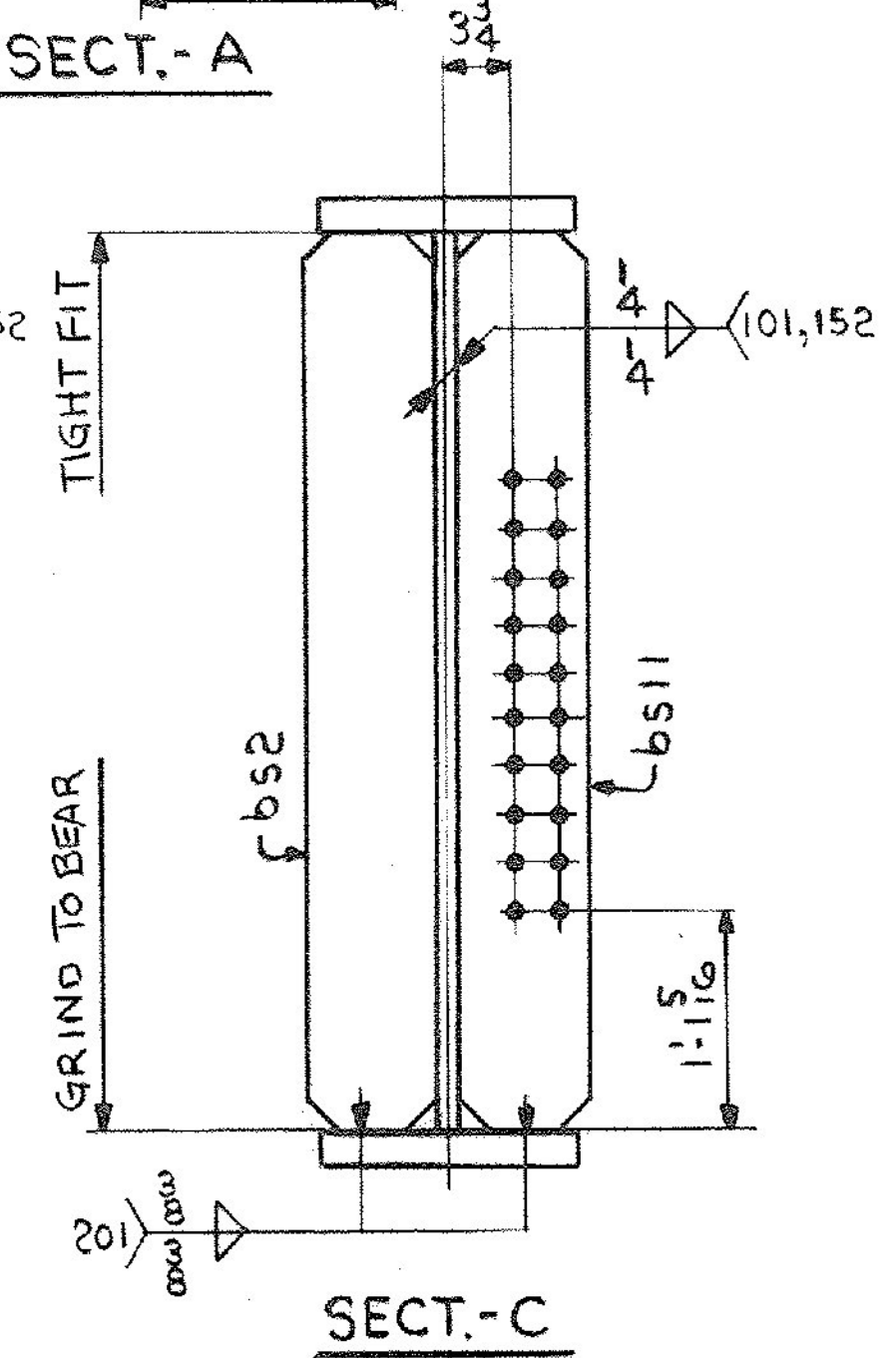
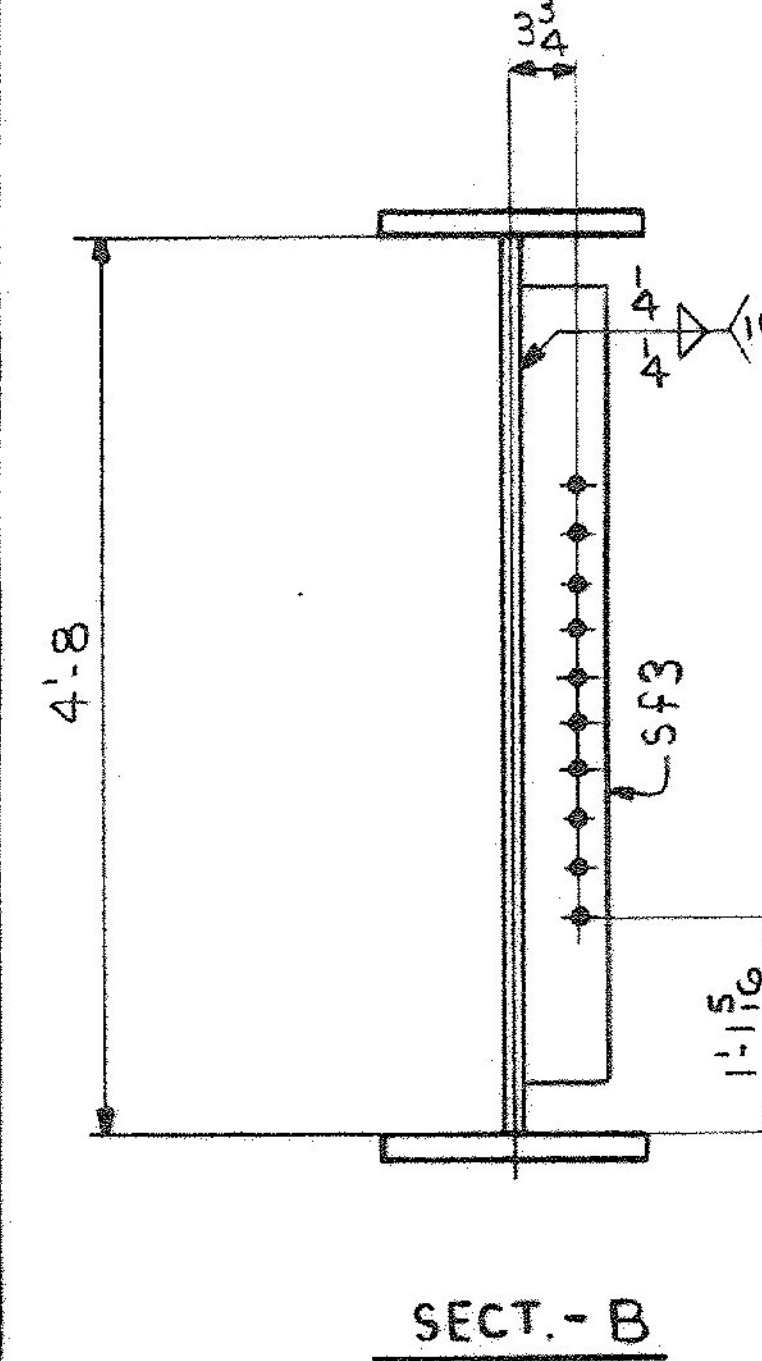
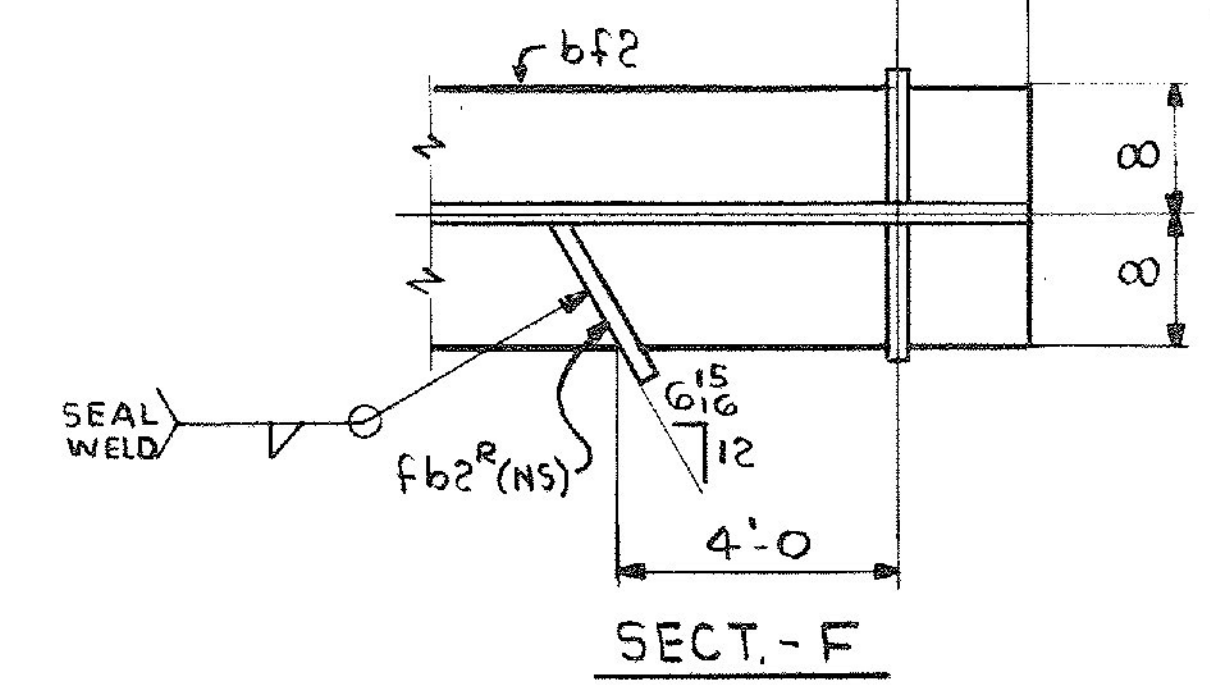
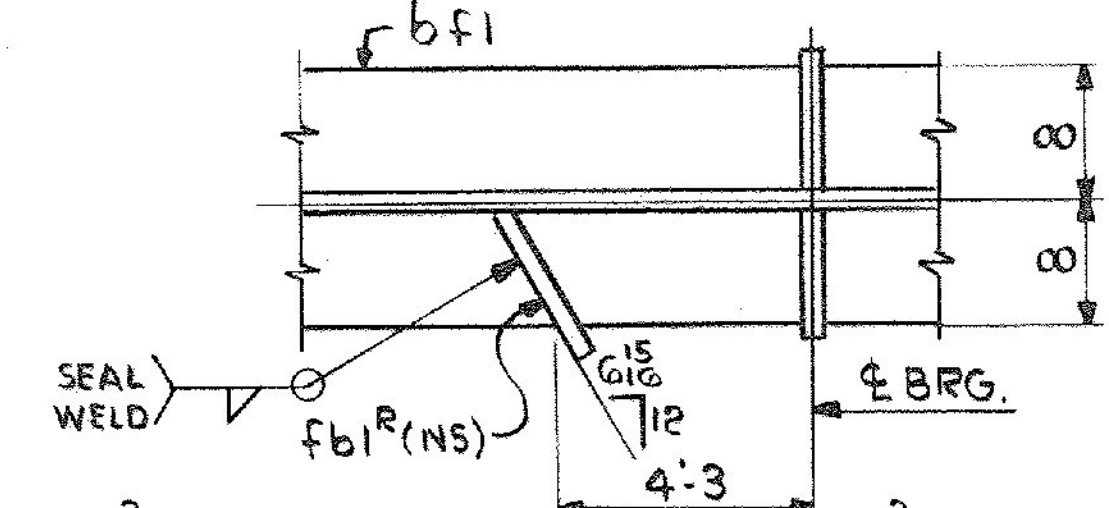
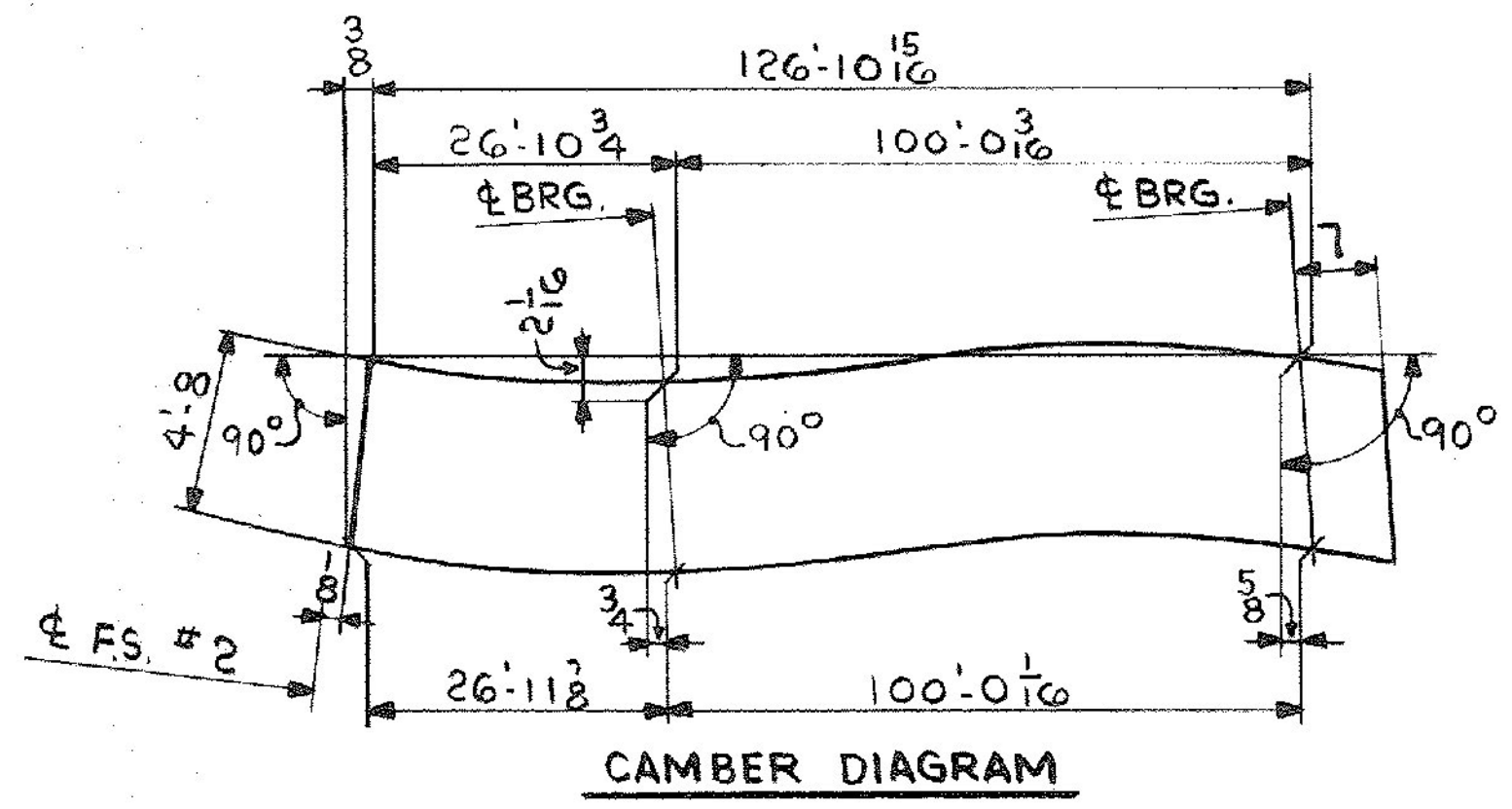


| SHIP    |     | BILL OF MATERIAL |                 |          |               | JOB NO. | DRAWING NO. | REV.      |
|---------|-----|------------------|-----------------|----------|---------------|---------|-------------|-----------|
| G6C ONE |     | GIRDER           |                 |          |               | 4-43    | 52-20       | △         |
| MARK    | NO. | MARK             | SHAPE           | LENGTH   | WT.           | ITEM    | REMARKS     |           |
|         | 1   | WP1              | R 3/8 x 57 1/16 | 63 9 1/2 | 57 1/2 x 64 0 | 1       | CVN         |           |
|         | 1   | WP2              | R 3/8 x 56 1/16 | 63 9 1/2 | 57 1/2 x 64 0 | 1       | CVN         |           |
|         | 1   | tf1              | R 1 3/4 x 16    | 47 0     | 1 9/2 x 2     | 1       | CVN         | PO. 31731 |
|         | 1   | tf2              | R 3/8 x 16      | 80 5 1/8 | 1 9/2 x 2     | 1       | CVN         |           |
|         | 1   | bf1              | R 1 3/4 x 16    | 47 0     | 1 9/2 x 2     | 1       | CVN         |           |
|         | 1   | bf2              | R 3/8 x 16      | 80 6 1/8 | 1 9/2 x 2     | 1       | CVN         |           |
|         | 1   | bs1              | R 3/4 x 8       | 4 8      | 6 0           | 2       | 95          |           |
|         | 1   | bs2              | R 3/4 x 8       | 4 8      | 35 X          | 2       | 95          |           |
|         | 1   | bs3              | R 3/4 x 8       | 4 8      | 10 0          | 2       | 95          |           |
|         | 1   | bs11             | R 3/4 x 8       | 4 8      | 31 2/31       | 2       | 95          |           |
|         | 4   | Sf3              | R 5/8 x 5       | 4 2      | 24 2/10       | 2       | 177         |           |
|         | 1   | fb1R             | R 1/4 x 3 3/4   | 0 10 7/8 | CR/PS         | 2       | 3           |           |
|         | 1   | fb2R             | R 1/4 x 2 7/8   | 0 10 7/8 |               | 2       | 2           |           |

**ONE-GIRDER-G6C**  
 FOR GIRDER STANDARD DETAILS SEE DWG. 52-2.  
 FOR WEB & FLG. & CUTTING & ASSEMBLY SEE DWG. 52-1.



| DIMENSION (X) |         |
|---------------|---------|
| 1'-6"         | 65'-6"  |
| 5'-6"         | 69'-6"  |
| 9'-6"         | 73'-6"  |
| 13'-6"        | 77'-6"  |
| 17'-6"        | 81'-6"  |
| 21'-6"        | 85'-6"  |
| 25'-6"        | 89'-6"  |
| 29'-6"        | 93'-6"  |
| 33'-6"        | 97'-6"  |
| 37'-6"        | 101'-6" |
| 41'-6"        | 105'-6" |
| 45'-6"        | 109'-6" |
| 49'-6"        | 113'-6" |
| 53'-6"        | 117'-6" |
| 57'-6"        | 121'-6" |
| 61'-6"        | 125'-6" |



IT. NO. 506.91 BR. NO. 6 PROJ. NO. FO20-1(10)

**FOR APPROVAL** | **FOR FILES & FIELD**

STEEL: ASTM  A36  A572 GR  A588 GR  Unless Noted

WELDING ELECTRODE:  E70  See Welding Proc.  None

SHOP CONN:  Bolted  Welded  None

FIELD CONN:  Bolted  Welded  None

HOLES:  13/16  15/16  Unless Noted  None

PAINT:  None  Shopcoat  Galv. After Fab.  As Noted

SPECIAL PAINT: NONE  
 SPECIAL CLEANING:  Blast Clean  None  SSPC-SP6

**GIRDER-G6C**

APPROVED: 2-1-85  
 PRINT DIST. 7 12-14-84 APP. 8 2-2-85 FAB. F&F  
 ORIG 11-14-85 VAT

JOB: **Bancroft & Martin Inc.**  
**South Portland, Maine 04106**  
**U.S. ROUTE 4 W.B. OVER OTTER CREEK**  
**RUTLAND, VERMONT**

CUSTOMER: EARTH CONSTRUCTION  
 DESIGNER: STATE OF VERMONT, AGENCY OF TRANS.

| REV. | △ | CHECKED | RW | 12/18/84 | DRAWN | DW | 11-30-84 | ORDER NO. | JOB NO. | DRAWING NO. | REV. |
|------|---|---------|----|----------|-------|----|----------|-----------|---------|-------------|------|
|      |   |         |    |          |       |    |          |           | 4-43    | 52-20       | △    |