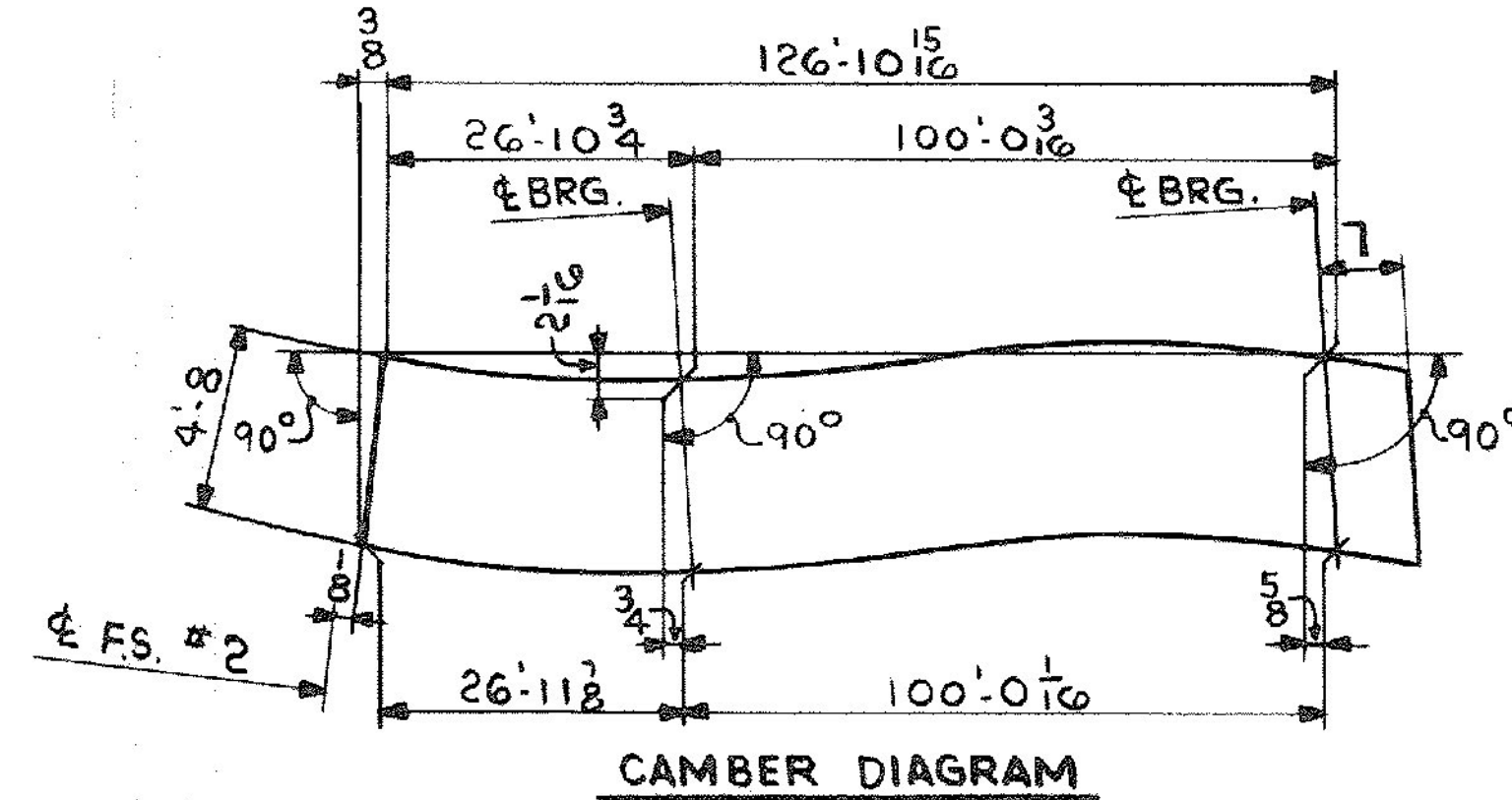
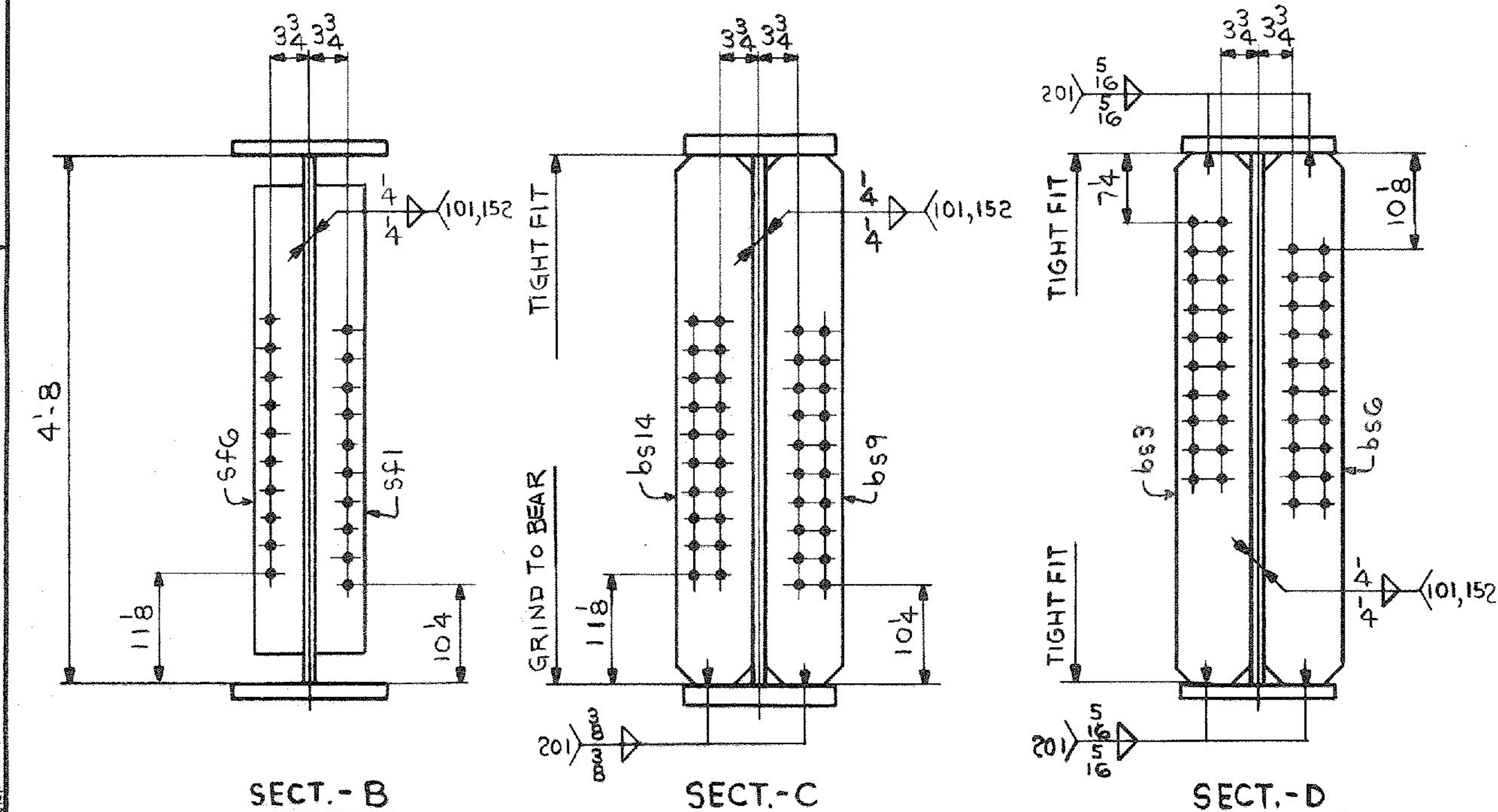


ONE-GIRDER - G3C
 FOR GIRDER STANDARD DETAILS SEE DWG. 52-2.
 FOR WEB & FLG. R CUTTING & ASSEMBLY SEE DWG. 52-1.



SHIP		BILL OF MATERIAL				JOB NO.	DRAWING NO.	REV.
G3C ONE		GIRDER				4-43	52-17	△
MARK	NO.	MARK	SHAPE	LENGTH	WT.	ITEM NO.	WT.	REMARKS
	1	WP1	R 3/8 x 57 1/16	63 9 1/2	57 1/2 x 3/8	1	CVN	
	1	WP2	R 3/8 x 56 1/16	63 9 1/2	56 1/2 x 3/8	1	CVN	
	1	tf1	R 1 3/4 x 16	47 0	16 x 1 3/4	1	CVN	Pa. 31231
	1	tf2	R 3/8 x 16	80 5 1/8	16 x 3/8	1	CVN	
	1	bfi	R 1 3/4 x 16	47 0	16 x 1 3/4	1	CVN	
	1	bfi	R 3/8 x 16	80 6 1/8	16 x 3/8	1	CVN	
	1	b53	R 3/4 x 8	4 8	8 x 3/4	1	95	
	1	b56	R 3/4 x 8	4 8	8 x 3/4	1	95	
	1	b59	R 3/4 x 8	4 8	8 x 3/4	1	95	
	1	b514	R 3/4 x 8	4 8	8 x 3/4	1	95	
	4	sf1	R 5/8 x 5	4 2	5 x 5/8	1	177	
	4	sf6	R 3/8 x 5	4 2	5 x 3/8	1	177	

IT. NO. 506.91 BR. NO. 6 PROJ. NO. F020-1(10)

FOR APPROVAL FOR FILES & FIELD

STEEL: ASTM A36 A572 GR A588 GR (Unless Noted)

WELDING ELECTRODE: E70 See Welding Proc. None

SHOP CONN: Bolted Welded None

FIELD CONN: Bolted Welded None

HOLES: 13/16 15/16 (Unless Noted) None

PAINT: None Shopcoat Galv. After Fab. As Noted

SPECIAL PAINT: NONE

SPECIAL CLEANING: Blast Clean None SSPC-SP6

GIRDER - G3C

APPROVED: 2-1-85
 PRINT DIST. 7 12-4-84 APP. 8 2-12-85 FAB.

DRIG 11-19-85 VAT

Rancroft & Martin Inc.
 South Portland, Maine 04106

JOB: U.S. ROUTE 4 W.B. OVER OTTER CREEK RUTLAND, VERMONT

CUSTOMER: EARTH CONSTRUCTION

DESIGNER: STATE OF VERMONT, AGENCY OF TRANS.

ORDER NO. 4-43 JOB NO. 52-17 REV. △