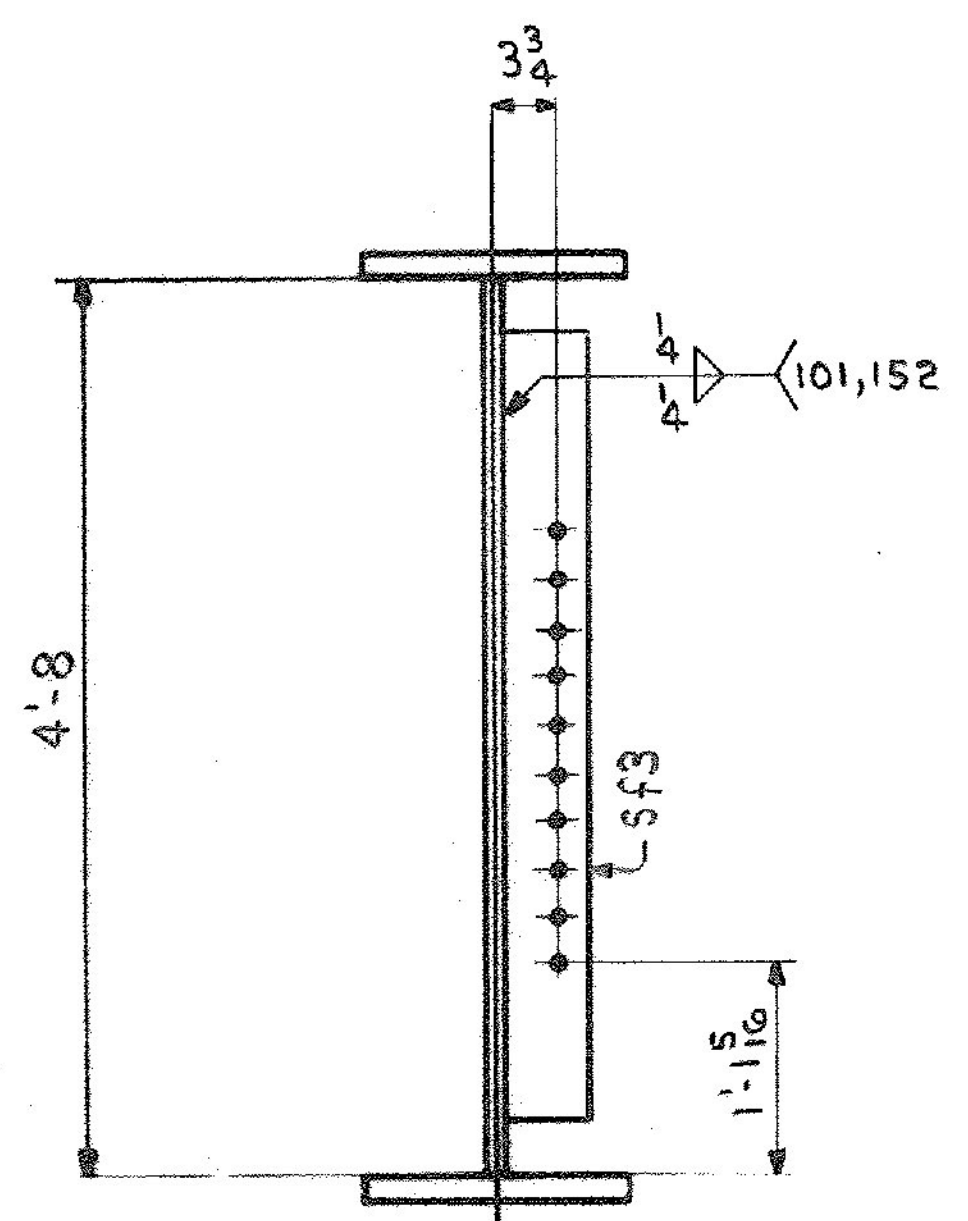
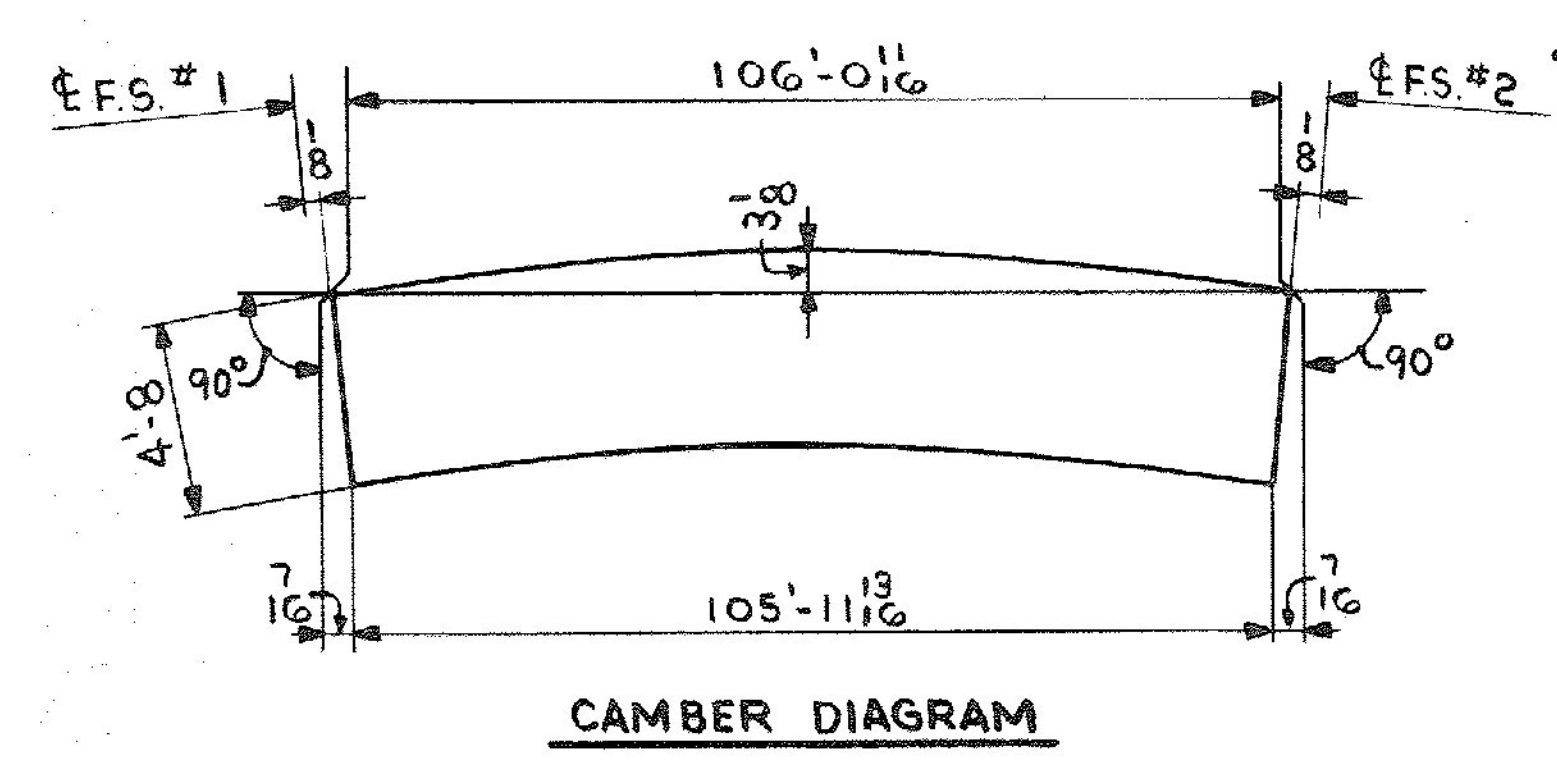


ONE GIRDER - GGB
 FOR GIRDER STANDARD DETAILS SEE DWG. 52-2.
 FOR WEB & FLG. & CUTTING & ASSEMBLY SEE DWG. 52-1.



DIMENSION (X)	
1'-6	57'-0
5'-0	61'-0
9'-0	65'-0
13'-0	69'-0
17'-0	73'-0
21'-0	77'-0
25'-0	81'-0
29'-0	85'-0
33'-0	89'-0
37'-0	93'-0
41'-0	97'-0
45'-0	101'-0
49'-0	104'-6
53'-0	



SHIP		BILL OF MATERIAL		JOB NO.	DRAWING NO.	REV.	
GGB ONE		GIRDER		4-43	52-14	△	
MARK	NO.	MARK	SHAPE	LENGTH	WT.	ITEM NO.	REMARKS
	1	WPI	R 3/8 x 5 9/8	106' 0 1/16	60 x 106.3	1/D 12627	CVN
	1	tfl	R 3/8 x 16	106' 0 1/16	106.4	1/J 5052	31931
	1	bfl	R 1/4 x 16	105' 11 13/16	106.3	1/K 7213	CVN
	4	SP1	R 1/2 x 5 1/2	2' 1 1/2	50.5112 x 11.0	1/O 745	CVN
	4	SP2	R 3/4 x 16	2' 7 1/2	6.18	1/P 429	CVN
	8	SP3	R 3/4 x 6 1/2	2' 7 1/2	3.032 x 10.2	1/Q 348	CVN
	2	fp1	R 3/8 x 16	1' 3 3/8	10.2713 x 12.12	1/R 124	4-44 1R
	2	fp2	R 1/2 x 16	1' 3 3/8	12.220	1/S 71	4-44 1S
	4	SF3	R 5/8 x 5	4' 2	50.2110 x 10.313	1/T 6	177
							# SHIPPING WEIGHT
							26786
							* PAY WEIGHT
	4	R 1/2 x 5 1/2	2' 1				723
	4	R 3/4 x 16	2' 7				422
	8	R 3/4 x 6 1/2	2' 7				243
	2	R 3/8 x 16	1' 3 3/8				122
	2	R 1/2 x 16	1' 3 3/8				70
							# PAY WEIGHT
							26749
IT. NO. 506.91		BR. NO. 6		PROJ. NO. F020-1(10)			
FOR APPROVAL				FOR FILES & FIELD			
STEEL: ASTM. <input type="checkbox"/> A36 <input type="checkbox"/> A572 GRI <input checked="" type="checkbox"/> A588 GRI <input type="checkbox"/> Unless Noted							
WELDING ELECTRODE: <input type="checkbox"/> E70 <input checked="" type="checkbox"/> See Welding Proc. <input type="checkbox"/> None							
SHOP CONN: <input type="checkbox"/> Bolted <input checked="" type="checkbox"/> Welded <input type="checkbox"/> None							
FIELD CONN: <input checked="" type="checkbox"/> Bolted <input type="checkbox"/> Welded <input type="checkbox"/> None							
HOLES: <input type="checkbox"/> 13/16 <input checked="" type="checkbox"/> 15/16 <input type="checkbox"/> Unless Noted <input type="checkbox"/> None							
PAINT: <input checked="" type="checkbox"/> None <input type="checkbox"/> Shopcoat <input type="checkbox"/> Galv. After Fab. <input type="checkbox"/> As Noted							
SPECIAL PAINT: NONE							
SPECIAL CLEANING: <input checked="" type="checkbox"/> Blast Clean <input type="checkbox"/> None <input type="checkbox"/> SSPC-SP6							
GIRDER - GGB							
APPROVED: 2-1-85							
PRINT DIST.							
7 12-14-85 APP.							
8 2-12-85 FAB.							
DRIG 11-12-85 VAT							
<i>Bancroft & Martin Inc</i> South Portland, Maine 04106							
JOB: U.S. ROUTE 4 W.B. OVER OTTER CREEK RUTLAND, VERMONT							
CUSTOMER: EARTH CONSTRUCTION							
DESIGNER: STATE OF VERMONT, AGENCY OF TRANS.							
REV. △	ORDER NO.	JOB NO.	DRAWING NO.	REV.			
CHECKED DW 12-19-85			4-43	52-14	△		
DRAWN DW 11-29-84							