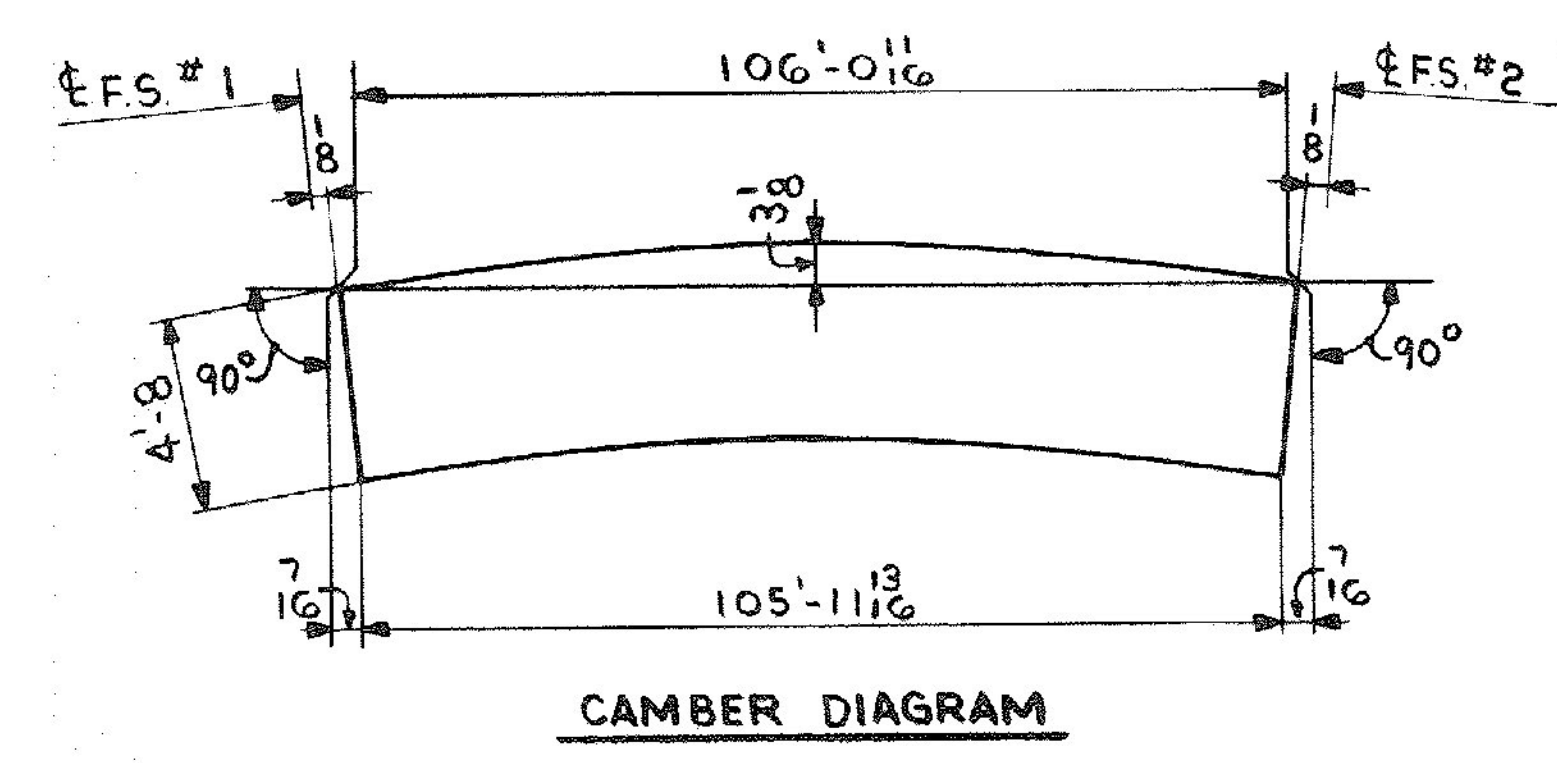
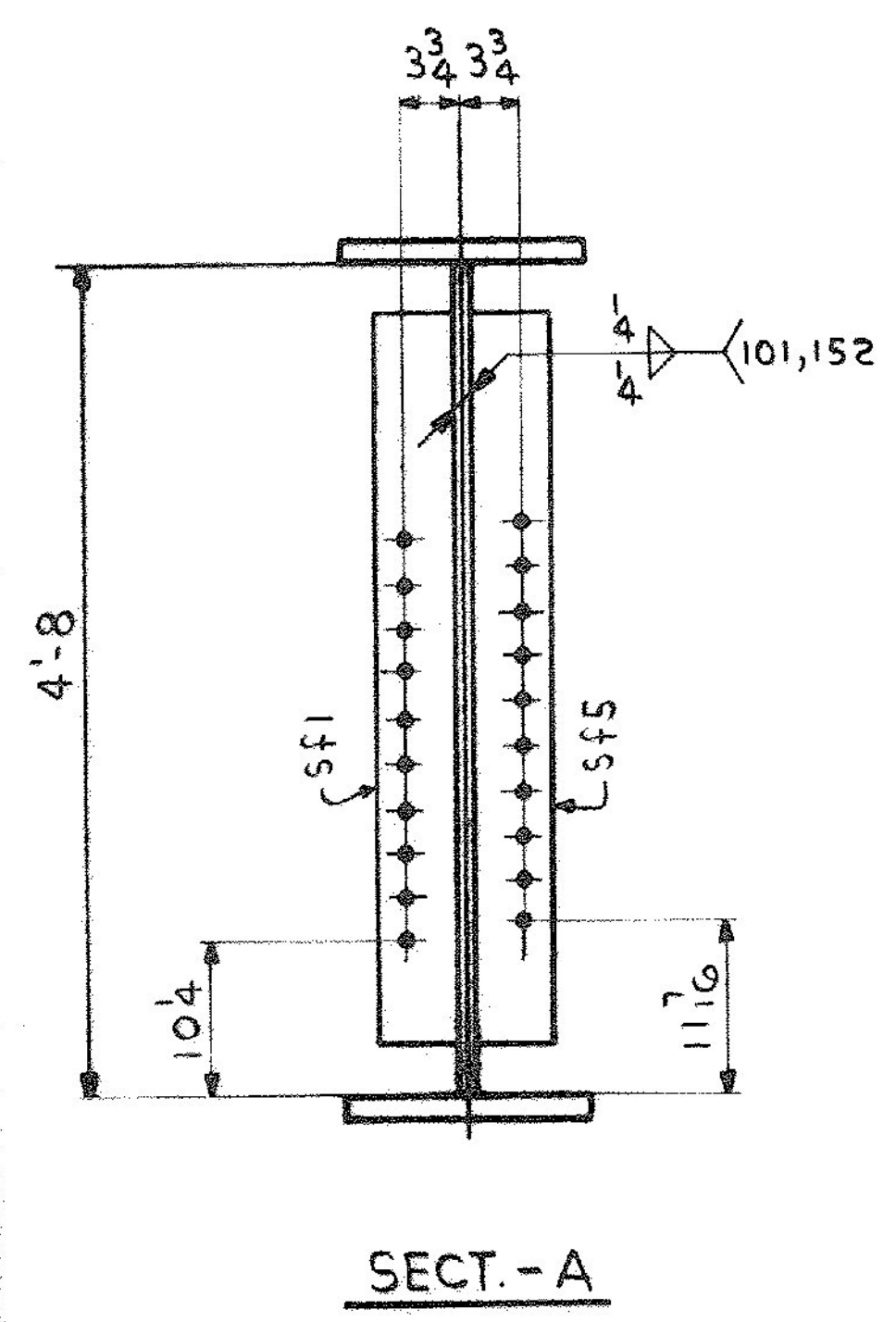


**ONE-GIRDER - G5B**  
 FOR GIRDER STANDARD DETAILS SEE DWG. 52-2.  
 FOR WEB & FLG. & CUTTING & ASSEMBLY SEE DWG. 52-1.



SHIP		BILL OF MATERIAL		JOB NO.		DRAWING NO.		REV.
				4-43		52-13		△
MARK	NO.	MARK	SHAPE	LENGTH	WT.	ITEM NO.	WT.	REMARKS
G5B	ONE		GIRDER					
	1	wp1	R 8 x 59 8	106 0 1/16	106' x 106' 3"	1	1227	CVN
	1	tf1	R 8 x 16	106 0 1/16	106' 4"	1	5052	31731
	1	bf1	R 14 x 16	105 11 1/16	106' 3"	1	7213	CVN
	4	sp1	R 1/2 x 5 1/2	2 1 1/2	50 5 1/2 x 11 1/2	1	745	CVN *
	4	sp2	R 3/4 x 16	2 7 1/2	60 10 8	1	429	CVN *
	8	sp3	R 3/4 x 6 1/2	2 7 1/2	30 32 x 10 1/2	1	448	CVN *
	2	fp1	R 3/8 x 16	1 3 3/8	30 10 8	1	724	4.74 IR *
	2	fp2	R 1/2 x 16	1 3 3/8	65 10 8	1	71	4.44 15 *
	4	sf1	R 5/8 x 5	4 2	40 21 0	2	C	177
	4	sf5	R 5/8 x 5	4 2	51 23 9	2	C	177
26923# SHIPPING WEIGHT								
* PAY WEIGHT								
	4		R 1/2 x 5 1/2	2 1				723
	4		R 3/4 x 16	2 7				422
	8		R 3/4 x 6 1/2	2 7				343
	2		R 3/8 x 16	1 3 3/8				122
	2		R 1/2 x 16	1 3 3/8				70
26926# PAY WEIGHT								
IT. NO. 506.91				BR. NO. 6		PRQ. NO. F020-1(10)		
<b>FOR APPROVAL</b>				<b>FOR FILES &amp; FIELD</b>				
STEEL: ASTM. <input type="checkbox"/> A36 <input type="checkbox"/> A572 GR <input checked="" type="checkbox"/> A588 GR <input type="checkbox"/> Unless Noted								
WELDING ELECTRODE: <input type="checkbox"/> E70 <input checked="" type="checkbox"/> See Welding Proc. <input type="checkbox"/> None								
SHOP CONN: <input type="checkbox"/> Bolted <input checked="" type="checkbox"/> Welded <input type="checkbox"/> None								
FIELD CONN: <input checked="" type="checkbox"/> Bolted <input type="checkbox"/> Welded <input type="checkbox"/> None								
HOLES: <input type="checkbox"/> 13/16 <input checked="" type="checkbox"/> 15/16 <input type="checkbox"/> Unless Noted <input type="checkbox"/> None								
PAINT: <input checked="" type="checkbox"/> None <input type="checkbox"/> Shopcoat <input type="checkbox"/> Galv. After Fab. <input type="checkbox"/> As Noted								
SPECIAL PAINT: NONE								
SPECIAL CLEANING: <input checked="" type="checkbox"/> Blast Clean <input type="checkbox"/> None <input type="checkbox"/> SSPC-SP6								
<b>GIRDER - G5B</b>								
APPROVED: 2-1-85				<i>Bancroft &amp; Martin Inc.</i> South Portland, Maine 04106 U.S. ROUTE 4 W.B. OVER OTTER CREEK RUTLAND, VERMONT				
PRINT DIST.								
7 12-14-84 APP.								
8 2-12-85 FAB.								
ORIG 11-14-85 VAT				JOB: U.S. ROUTE 4 W.B. OVER OTTER CREEK RUTLAND, VERMONT				
CUSTOMER: EARTH CONSTRUCTION				DESIGNER: STATE OF VERMONT, AGENCY OF TRANS				
REV. △		CHECKED RW 12/18/84		ORDER NO.		JOB NO.		DRAWING NO.
DRAWN DW 11-29-84				4-43		52-13		△