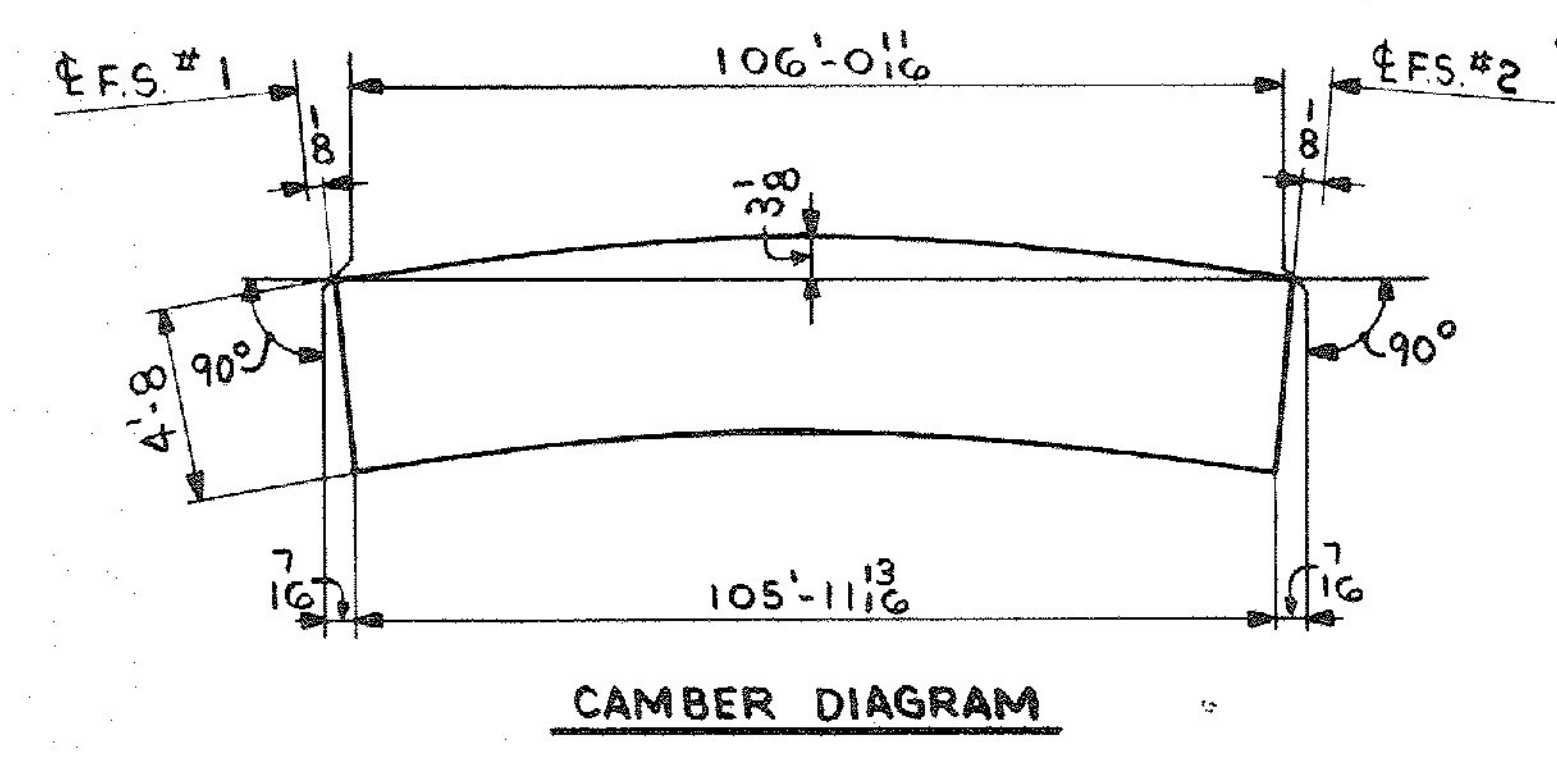
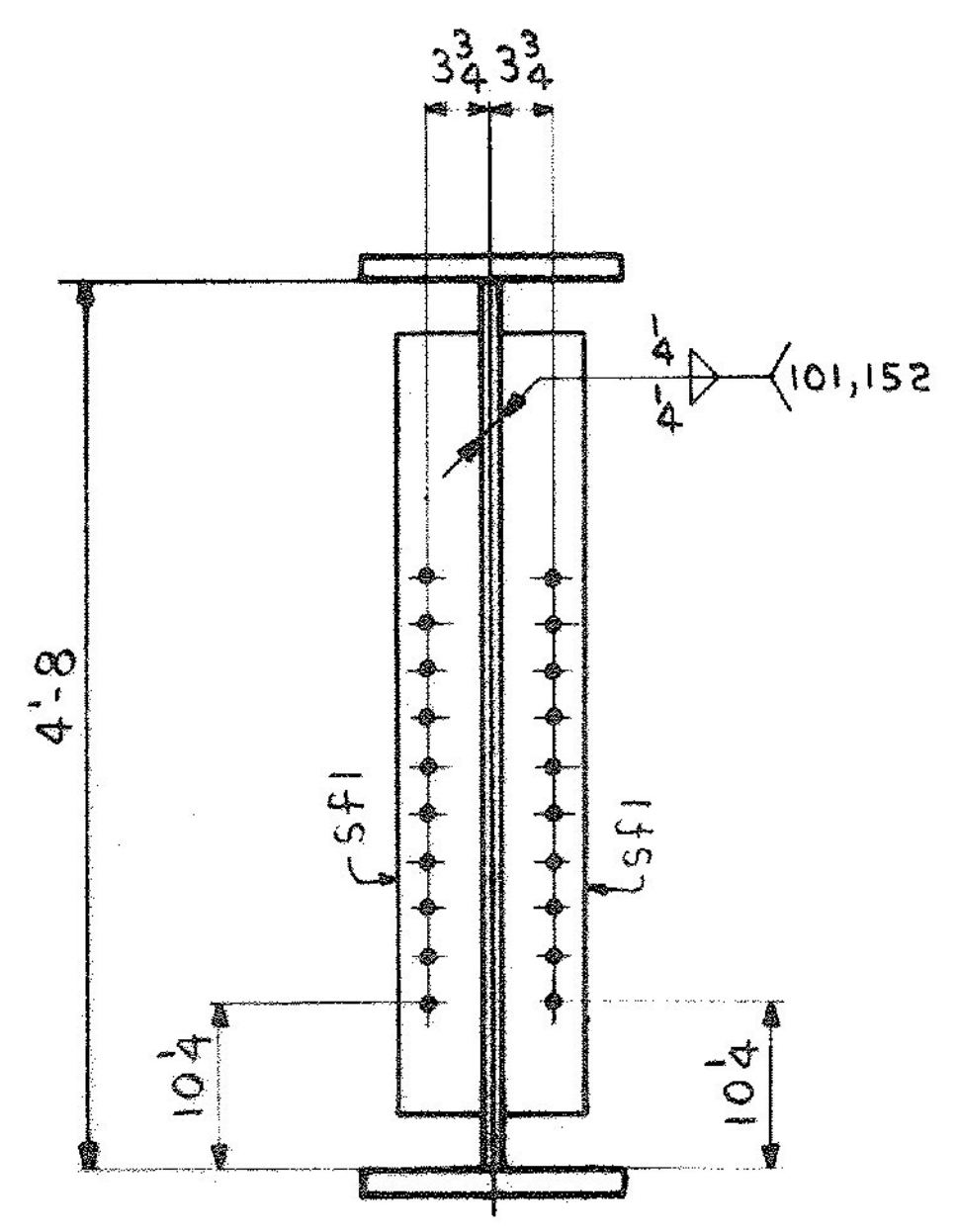


ONE-GIRDER-G4B
 FOR GIRDER STANDARD DETAILS SEE DWG. 52-2.
 FOR WEB & FLG. & CUTTING & ASSEMBLY SEE DWG. 52-1.



JOB NO.		DRAWING NO.		REV.			
4-43		52-12		△			
BILL OF MATERIAL							
MARK	NO.	MARK	SHAPE	LENGTH	WT.	ITEM WT.	REMARKS
G4B	ONE		GIRDER				
	1	wpl	R 3/8 x 59 1/8	106' 0 1/16	106' 3"	1267	CVN
	1	tfl	R 3/8 x 16	106' 0 1/16	106' 4"	5052	CVN
	1	bfl	R 1 1/4 x 16	105' 11 1/16	106' 3"	7213	CVN
	4	sp1	R 1/2 x 51 1/2	2' 1 1/2	50' 5 1/2"	10745	CVN
	4	sp2	R 3/4 x 16	2' 7 1/2	6' 10"	429	CVN
	8	sp3	R 3/4 x 6 1/2	2' 7 1/2	3' 10 1/8"	348	CVN
	2	fp1	R 3/8 x 16	1' 3 3/8	30' 8"	124	4.44 IR
	2	fp2	R 1/2 x 16	1' 3 3/8	28' 10"	71	4.44 IS
	8	sf1	R 3/8 x 5	4' 2	24' 2 1/8"	354	
					2696.3		# SHIPPING WEIGHT
* PAY WEIGHT							
	4		R 1/2 x 51	2' 1		723	
	4		R 3/4 x 16	2' 7		422	
	8		R 3/4 x 6 1/2	2' 7		343	
	2		R 3/8 x 16	1' 3 3/8		122	
	2		R 1/2 x 16	1' 3 3/8		70	
					2692.6		# PAY WEIGHT
IT. NO. 506.91					BR. NO. 6		PROJ. NO. F020-1(10)
FOR APPROVAL					FOR FILES & FIELD		
STEEL: ASTM <input type="checkbox"/> A36 <input type="checkbox"/> A572 GR. <input checked="" type="checkbox"/> A572 GR. <input type="checkbox"/> Unless Noted							
WELDING ELECTRODE: <input type="checkbox"/> E70 <input checked="" type="checkbox"/> See Welding Proc. <input type="checkbox"/> None							
SHOP CONN: <input type="checkbox"/> Bolted <input checked="" type="checkbox"/> Welded <input type="checkbox"/> None							
FIELD CONN: <input checked="" type="checkbox"/> Bolted <input type="checkbox"/> Welded <input type="checkbox"/> None							
HOLES: <input type="checkbox"/> 13/16 <input checked="" type="checkbox"/> 15/16 <input type="checkbox"/> Unless Noted <input type="checkbox"/> None							
PAINT: <input checked="" type="checkbox"/> None <input type="checkbox"/> Shopcoat <input type="checkbox"/> Galv. After Fab. <input type="checkbox"/> As Noted							
SPECIAL PAINT: NONE							
SPECIAL CLEANING: <input checked="" type="checkbox"/> Blast Clean <input type="checkbox"/> None <input type="checkbox"/> SSPC-SP6							
GIRDER - G4B							
APPROVED: 2-1-85					 South Portland, Maine 04106 JOB: U.S. ROUTE 4 W.B. OVER OTTER CREEK RUTLAND, VERMONT CUSTOMER: EARTH CONSTRUCTION DESIGNER: STATE OF VERMONT, AGENCY OF TRANS		
PRINT DIST.							
7 12-14-84 APP.							
8 2-12-85 FAB.							
ORIG 11-19-85 VAT							
REV. △			ORDER NO.	JOB NO.	DRAWING NO.	REV.	
CHECKED	RW	12/19/84		4-43	52-12	△	
DRAWN	DW	11-29-84					