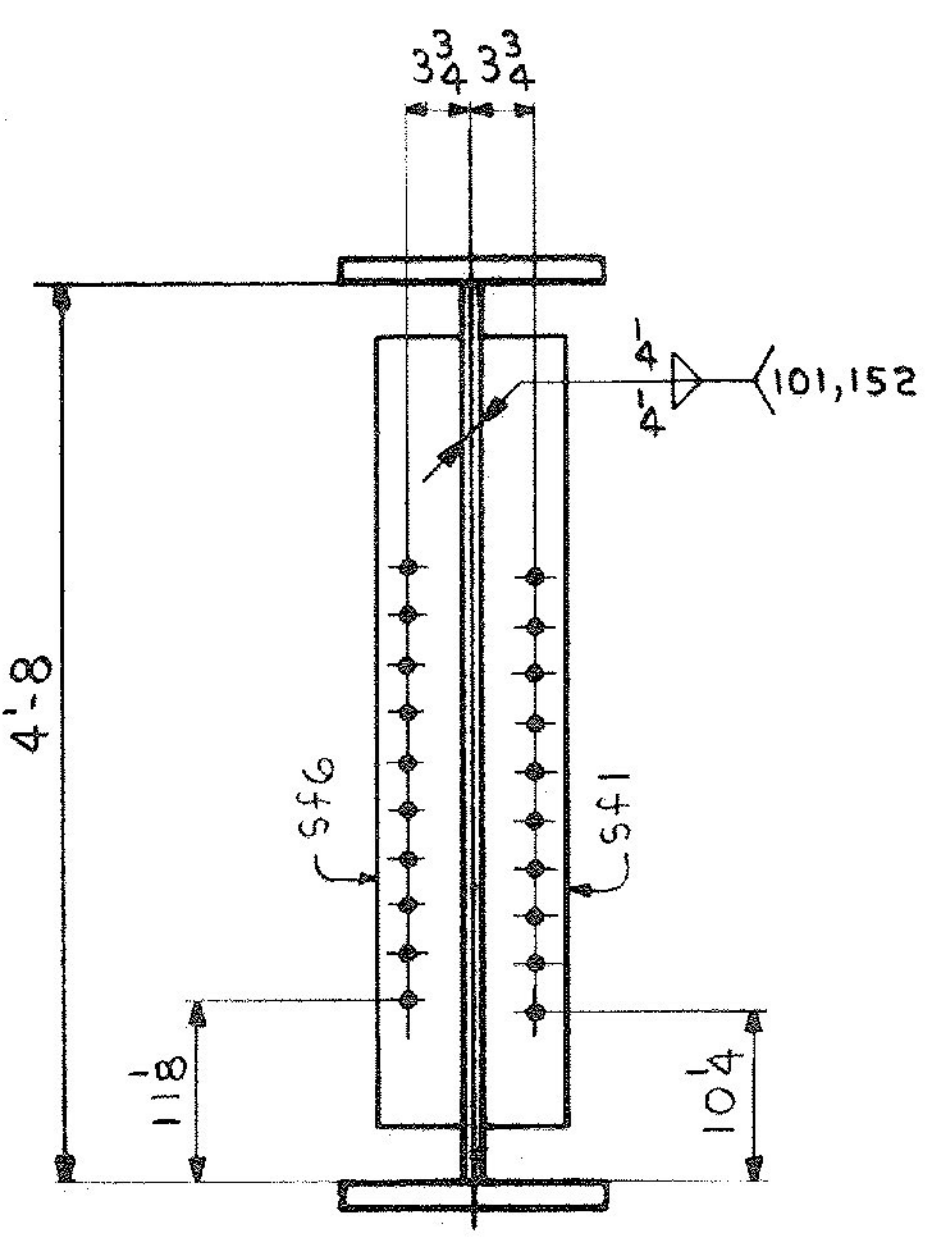
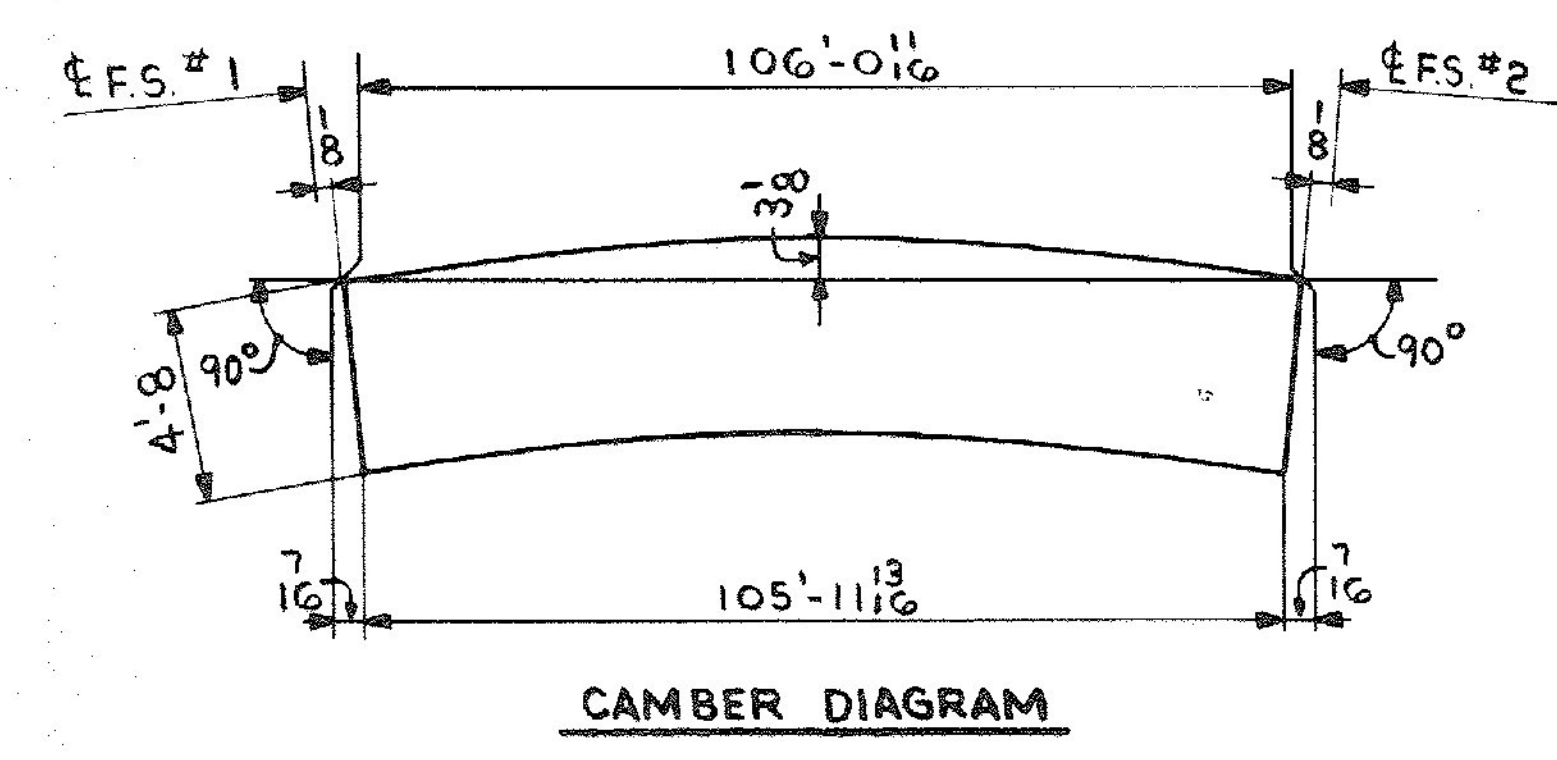


ONE-GIRDER - G3B
 FOR GIRDER STANDARD DETAILS SEE DWG. 52-2.
 FOR WEB & FLG. & CUTTING & ASSEMBLY SEE DWG. 52-1.



SECT. - A



CAMBER DIAGRAM

| SHIP | | BILL OF MATERIAL | | JOB NO. | DRAWING NO. | REV. |
|-------------------|-----|------------------|----------------|-------------|------------------|------------------|
| G3B ONE | | GIRDER | | 4-43 | 52-11 | △ |
| MARK | NO. | MARK | SHAPE | LENGTH | WT. | REMARKS |
| | 1 | wpl | R 3/8 x 598 | 106 0 1/16 | 60 x 106 3/8 | 12.67 CVN |
| | 1 | tf1 | R 3/8 x 16 | 106 0 1/16 | 106 7/8 | 5.52 CVN |
| | 1 | bf1 | R 1/4 x 16 | 105 11 1/16 | 106 3/8 | 7.13 CVN |
| | 4 | sp1 | R 1/2 x 51 1/2 | 2 1 1/2 | 36 5/16 x 20 1/2 | 1.45 CVN * |
| | 4 | sp2 | R 3/4 x 16 | 2 7 1/2 | 36 5/16 x 20 1/2 | 1.429 CVN * |
| | 8 | sp3 | R 3/4 x 6 1/2 | 2 7 1/2 | 36 5/16 x 20 1/2 | 1.348 CVN * |
| | 2 | fp1 | R 3/8 x 16 | 1 3 3/8 | 36 5/16 x 20 1/2 | 1.24 (4-44 1R) * |
| | 2 | fp2 | R 1/2 x 16 | 1 3 3/8 | 36 5/16 x 20 1/2 | 1.71 (4-44 1S) * |
| | 4 | sf1 | R 5/8 x 5 | 4 2 | 14 6/8 x 27 0 | 1.77 |
| | 4 | sf6 | R 5/8 x 5 | 4 2 | 14 6/8 x 27 0 | 1.77 |
| * PAY WEIGHT | | | | | | |
| | 4 | | R 1/2 x 51 | 2 1 | | 723 |
| | 4 | | R 3/4 x 16 | 2 7 | | 422 |
| | 2 | | R 3/4 x 6 1/2 | 2 7 | | 343 |
| | 2 | | R 1/2 x 16 | 1 3 3/8 | | 122 |
| | 2 | | R 1/2 x 16 | 1 3 3/8 | | 70 |
| 26926# PAY WEIGHT | | | | | | |

IT. NO. 506.91 BR. NO. 6 PROJ. NO. F020-1(10)

FOR APPROVAL | FOR FILES & FIELD

STEEL: ASTM. A36 A572 GR A572 GR Unless Noted

WELDING ELECTRODE: E70 See Welding Proc. None

SHOP CONN: Bolted Welded None

FIELD CONN: Bolted Welded None

MOLES: 13/16 15/16 Unless Noted None

PAINT: None Shopcoat Galv. After Fab. As Noted

SPECIAL PAINT: NONE

SPECIAL CLEANING: Blast Clean None SSPC-SP6

GIRDER - G3B

APPROVED: 2-1-85
 PRINT DIST. 7 12-14-84 APP. 8 2-12-85 FAB. P.F.F. JOB: *Bancroft & Martin Inc*
South Portland, Maine 04106

DRG. 11-12-85 V.A.T. U.S. ROUTE 4 W.B. OVER OTTER CREEK
 RUTLAND, VERMONT

CUSTOMER: EARTH CONSTRUCTION
 DESIGNER: STATE OF VERMONT, AGENCY OF TRANS

REV. △
 CHECKED RW 12-13-84
 DRAWN DW 11-23-84

ORDER NO. JOB NO. DRAWING NO. REV.
 4-43 52-11 △