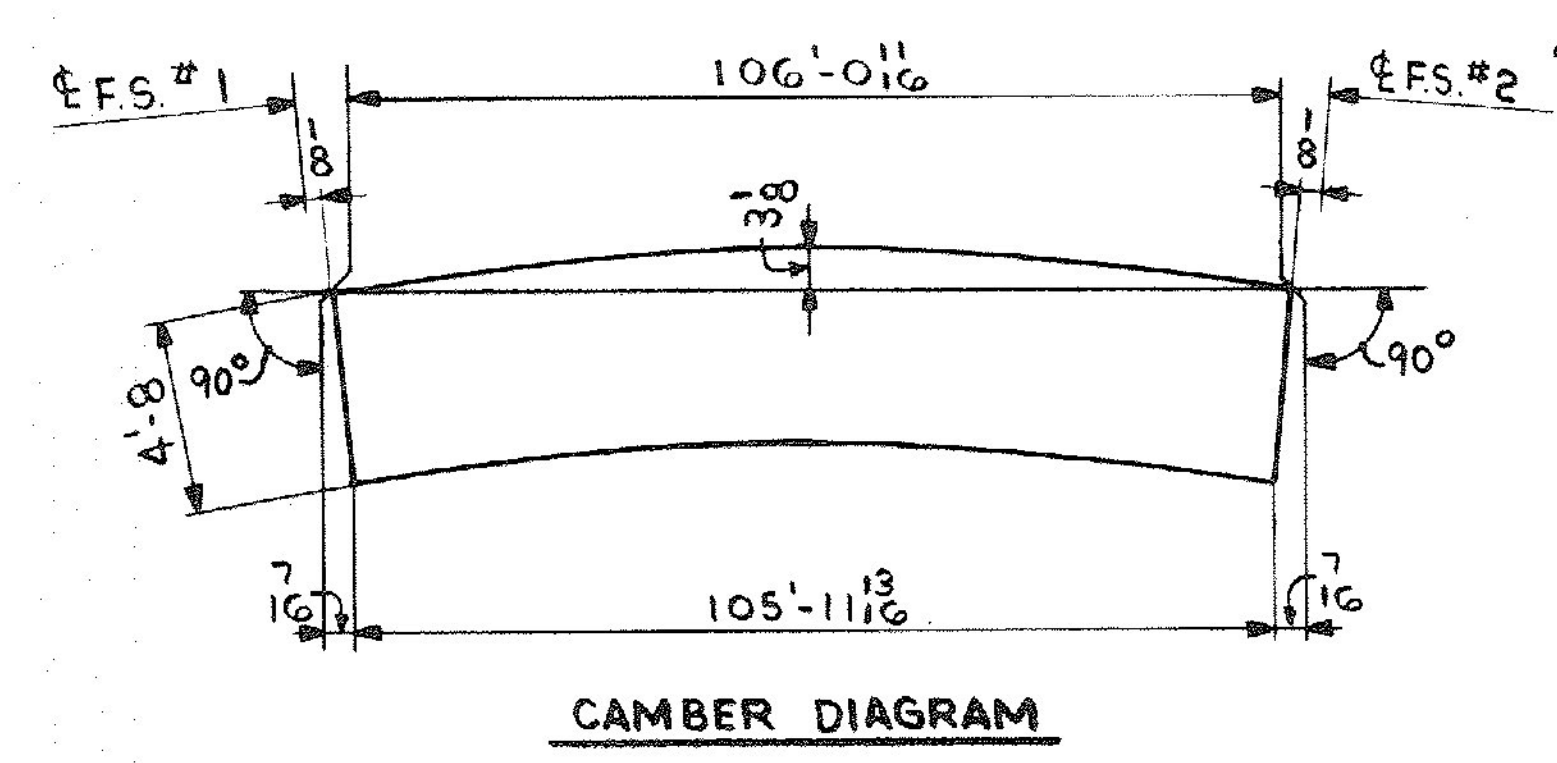
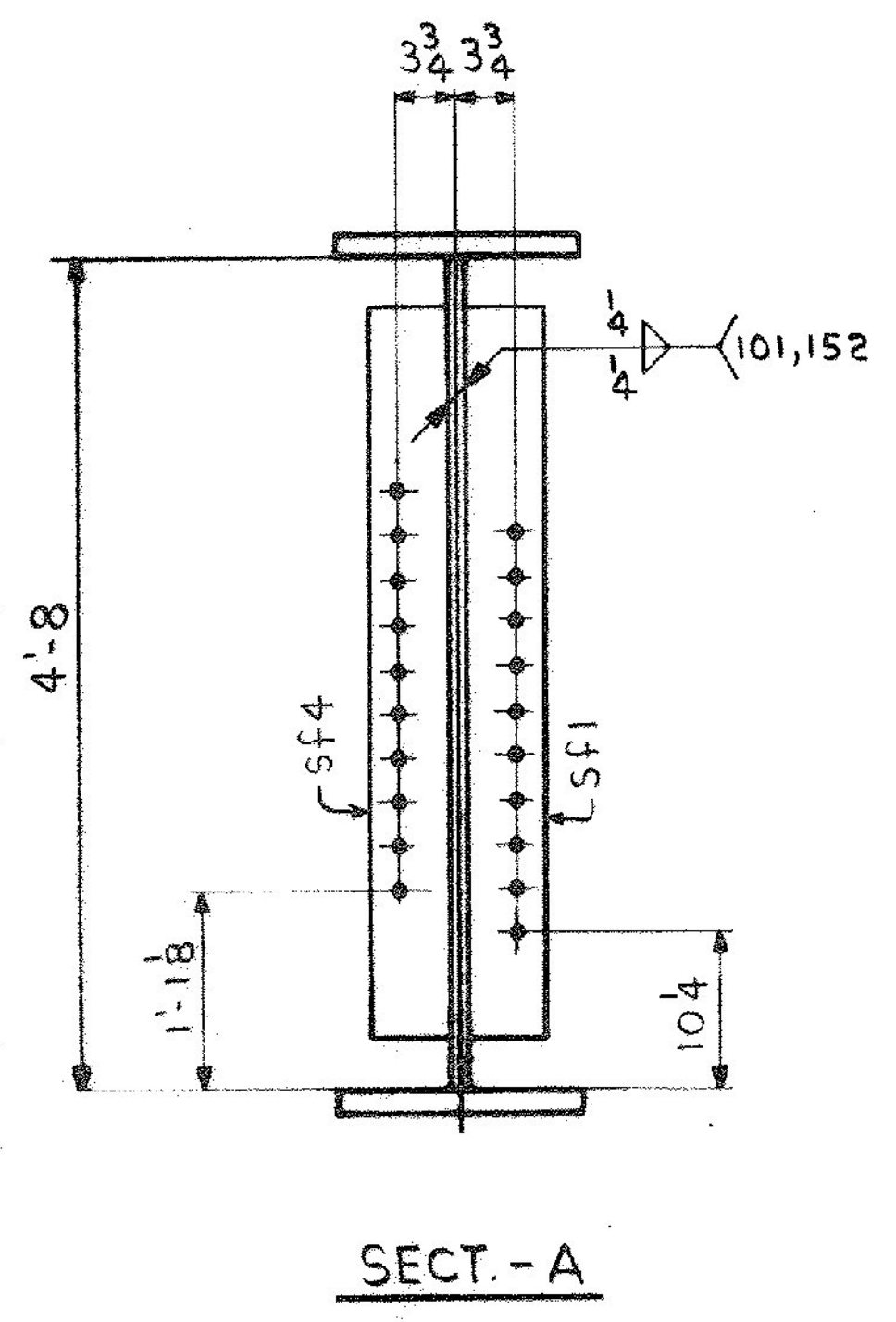


ONE GIRDER - G2B
 FOR GIRDER STANDARD DETAILS SEE DWG. 52-2.
 FOR WEB & FLG. & CUTTING & ASSEMBLY SEE DWG. 52-1.



SHIP		BILL OF MATERIAL		JOB NO.		DRAWING NO.		REV.	
				4-43		52-10		△	
MARK	NO.	MARK	SHAPE	LENGTH	WT.	ITEM NO.	WT.	REMARKS	
G2B	ONE		GIRDER						
	1	wp1	R 1/2 x 59 1/8	106 0 1/16	64 x 106 1/8	1	12627	CVN	
	1	tf1	R 1/2 x 16	106 0 1/16	1 1/2 x 106 1/8	1	5052		
	1	bf1	R 1/4 x 16	105 11 1/16	1 1/2 x 106 1/8	1	1213	CVN	
	4	sp1	R 1/2 x 5 1/2	2 1 1/2	5 1/2 x 106 1/8	1	145	CVN	
	4	sp2	R 3/4 x 16	2 7 1/2	6 1/2 x 106 1/8	1	429	CVN	
	8	sp3	R 3/4 x 6 1/2	2 7 1/2	6 1/2 x 106 1/8	1	348	CVN	
	2	fp1	R 1/2 x 16	1 3 3/8	16 x 106 1/8	1	124	4-11 1R	
	2	fp2	R 1/2 x 16	1 3 3/8	16 x 106 1/8	1	71	4-11 1S	
	4	sf1	R 5/8 x 5	4 2	10 x 106 1/8	1	177		
	4	sf4	R 5/8 x 5	4 2	10 x 106 1/8	1	177		
								26962# SHIPPING WEIGHT	
								* PAY WEIGHT	
	4		R 1/2 x 5 1/2	2 1				723	
	4		R 3/4 x 16	2 7				422	
	8		R 3/4 x 6 1/2	2 7				343	
	2		R 1/2 x 16	1 3 3/8				122	
	2		R 1/2 x 16	1 3 3/8				70	
								26926# PAY WEIGHT	
IT. NO. 506.91		BR. NO. 6		PROJ. NO. F020-1(10)					
FOR APPROVAL		FOR FILES & FIELD							
STEEL: ASTM. <input type="checkbox"/> A36 <input type="checkbox"/> A572 GR1 <input checked="" type="checkbox"/> A572 GR50 <input type="checkbox"/> A572 GR60 <input type="checkbox"/> Unless Noted									
WELDING ELECTRODE: <input type="checkbox"/> E70 <input checked="" type="checkbox"/> Sm Welding Proc. <input type="checkbox"/> None									
SHOP CONN: <input type="checkbox"/> Bolted <input checked="" type="checkbox"/> Welded <input type="checkbox"/> None									
FIELD CONN: <input checked="" type="checkbox"/> Bolted <input type="checkbox"/> Welded <input type="checkbox"/> None									
HOLES: <input type="checkbox"/> 13/16 <input checked="" type="checkbox"/> 15/16 <input type="checkbox"/> Unless Noted <input type="checkbox"/> None									
PAINT: <input checked="" type="checkbox"/> None <input type="checkbox"/> Shopcoat <input type="checkbox"/> Galv. After Fab. <input type="checkbox"/> As Noted									
SPECIAL PAINT: NONE									
SPECIAL CLEANING: <input checked="" type="checkbox"/> Blast Clean <input type="checkbox"/> None <input type="checkbox"/> SSPC-SP6									
GIRDER - G2B									
APPROVED: 2-1-85		PRINT DIST.							
7 12-1-87 APP.		Bancroft & Martin Inc							
8 2-12-85 FAB.		South Portland, Maine 04106							
		JOB: U.S. ROUTE 4 W.B. OVER OTTER CREEK							
		RUTLAND, VERMONT							
		CUSTOMER: EARTH CONSTRUCTION							
		DESIGNER: STATE OF VERMONT, AGENCY OF TRANS							
REV. △		ORDER NO.	JOB NO.	DRAWING NO.	REV.				
CHECKED	RW	12-13-85	4-43	52-10	△				
DRAWN	DW	11-29-84							