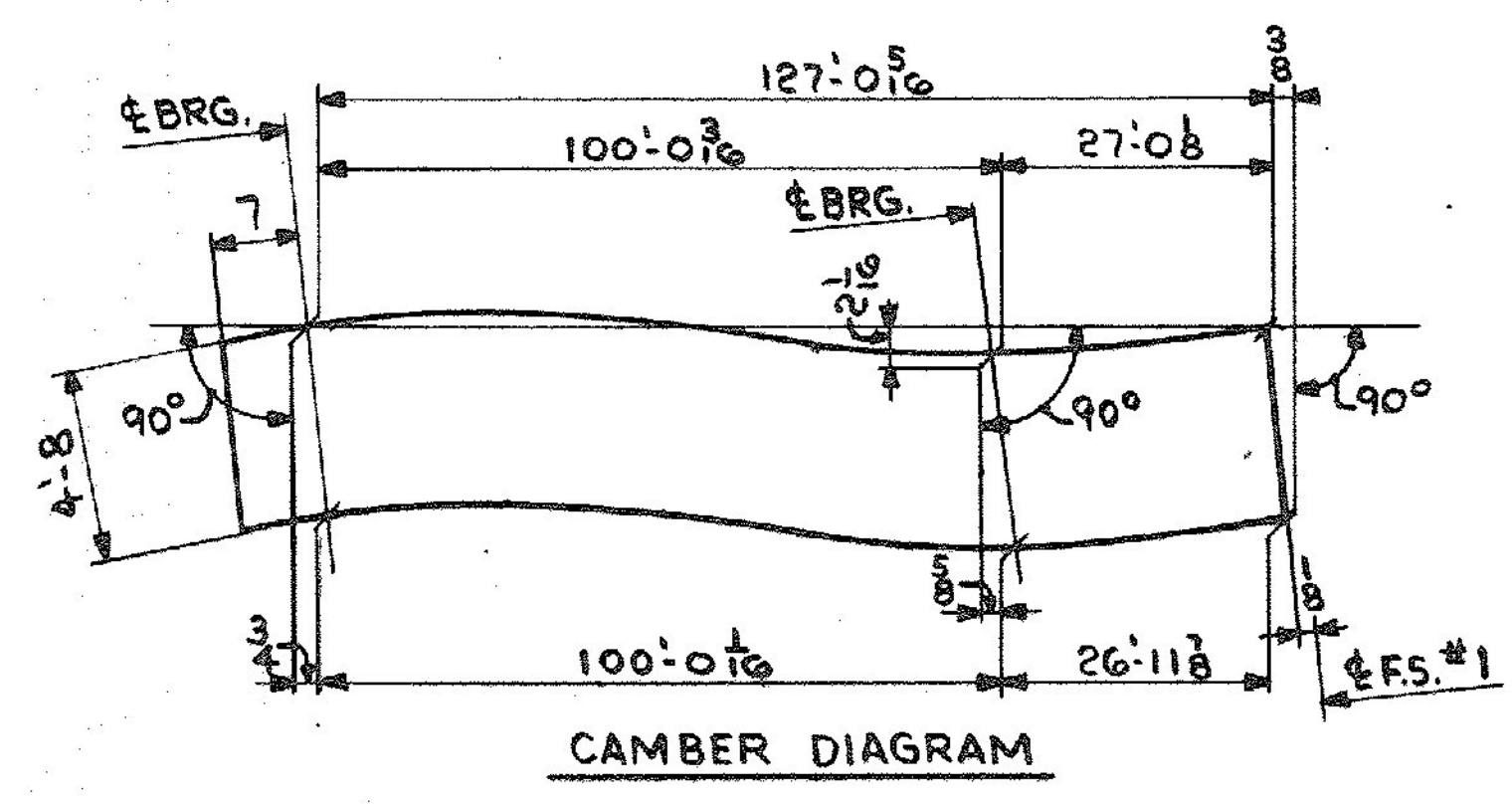
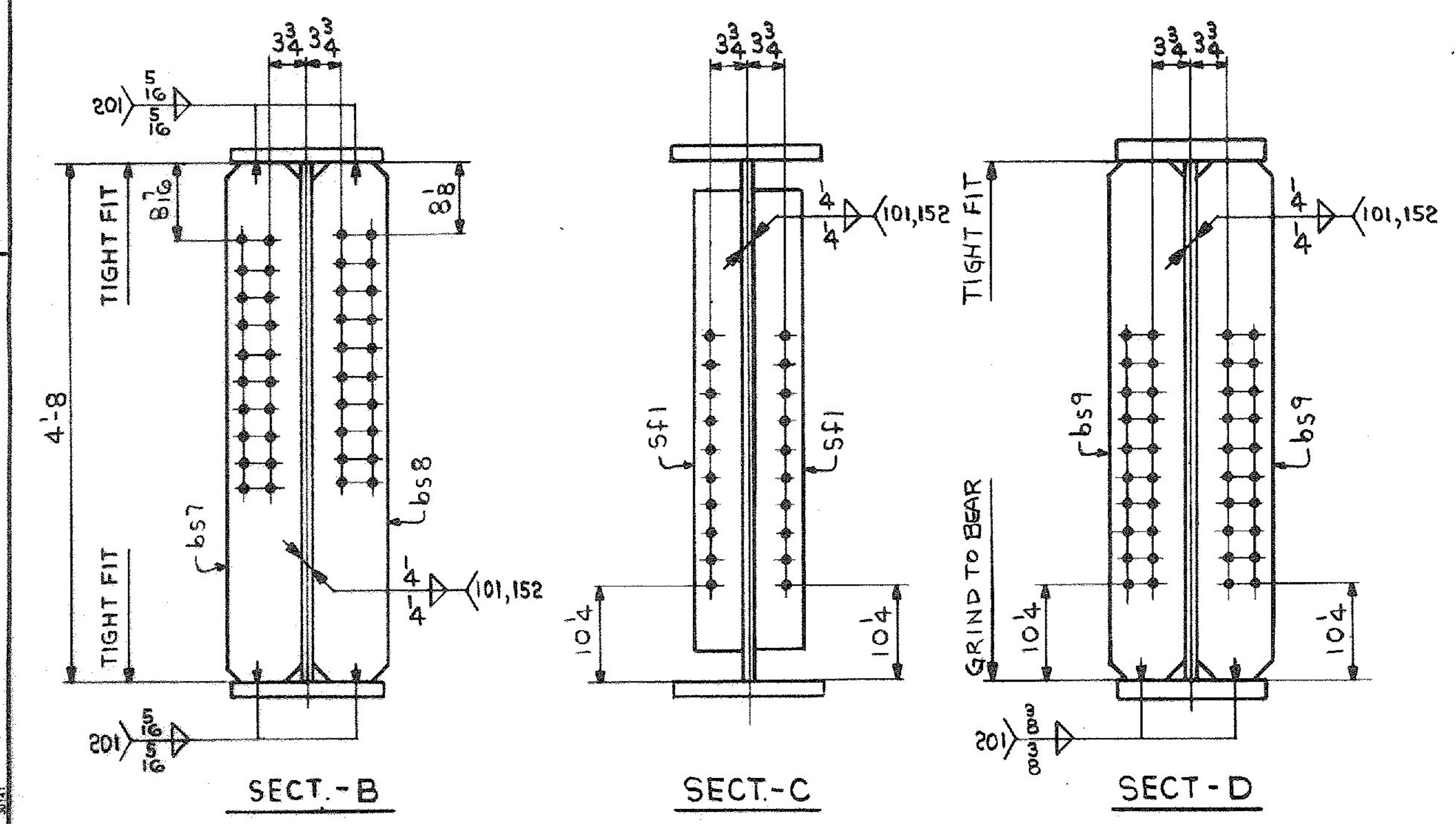


ONE-GIRDER - G4A

FOR GIRDER STANDARD DETAILS SEE DWG. 52-2.
FOR WEB & FLG. & CUTTING & ASSEMBLY SEE DWG. 52-1.



SHIP		BILL OF MATERIAL				JOB NO.	DRAWING NO.	REV.
G4A ONE		GIRDER				4-43	52-G	△
MARK	NO.	MARK	SHAPE	LENGTH	WT.	ITEM NO.	REMARKS	
1	WPI	R 5/8 x 56 1/16	G3	10	58 1/2 x 6 1/2	1	B	CVN
1	WP2	R 5/8 x 57 1/16	G3	9 1/2	57 1/2 x 6 1/2	1	C	CVN
1	tfl	R 3/8 x 16	80	7 5/16	1 1/2 x 10	1	F	CVN
1	tf2	R 1 3/4 x 16	47	0	1 1/2 x 10	1	H	CVN
1	bfi	R 3/8 x 16	80	6 1/2	1 1/2 x 9	1	G	CVN
1	bfb	R 1 3/4 x 16	47	0	1 1/2 x 9	1	I	CVN
1	b57	R 3/4 x 8	4	8	2 x 35	2	B	95
1	b58	R 3/4 x 8	4	8	2 x 35	2	B	95
2	b59	R 3/4 x 8	4	8	2 x 35	2	B	191
8	Sf1	R 5/8 x 5	4	2	2 1/2 x 10	2	C	354
								32566#
IT. NO. 506.91 BR. NO. 6 PROJ. NO. F020-1(10)								
FOR APPROVAL FOR FILES & FIELD								
STEEL: ASTM <input type="checkbox"/> A36 <input type="checkbox"/> A572 GR <input checked="" type="checkbox"/> A588 GR <input type="checkbox"/> Unless Noted								
WELDING ELECTRODE: <input type="checkbox"/> E70 <input checked="" type="checkbox"/> See Welding Proc. <input type="checkbox"/> None								
SHOP CONN: <input type="checkbox"/> Bolted <input checked="" type="checkbox"/> Welded <input type="checkbox"/> None								
FIELD CONN: <input checked="" type="checkbox"/> Bolted <input type="checkbox"/> Welded <input type="checkbox"/> None								
HOLES: <input type="checkbox"/> 13/16 <input checked="" type="checkbox"/> 15/16 <input type="checkbox"/> Unless Noted <input type="checkbox"/> None								
PAINT: <input checked="" type="checkbox"/> None <input type="checkbox"/> Shopcoat <input type="checkbox"/> Galv. After Fab. <input type="checkbox"/> As Noted								
SPECIAL PAINT: NONE								
SPECIAL CLEANING: <input checked="" type="checkbox"/> Blast Clean <input type="checkbox"/> None <input type="checkbox"/> SSPC-SP6								
GIRDER - G4A								
APPROVED: 2-1-85			 Rancourt & Martin Inc. South Portland, Maine 04106 JOB: U.S. ROUTE 4 W.B. OVER OTTER CREEK RUTLAND, VERMONT CUSTOMER: EARTH CONSTRUCTION DESIGNER: STATE OF VERMONT, AGENCY OF TRANS.					
PRINT DIST.								
7 12-14-84 APP.								
8 2-12-85 FAB.								
2-12-85 F&F.			ORDER NO. 4-43					
2-12-85 VAT			JOB NO. 52-G					
REV. △			DRAWING NO. 52-G					
CHECKED RW 12-14-84			REV. △					
DRAWN DW 11-28-84			986-08					