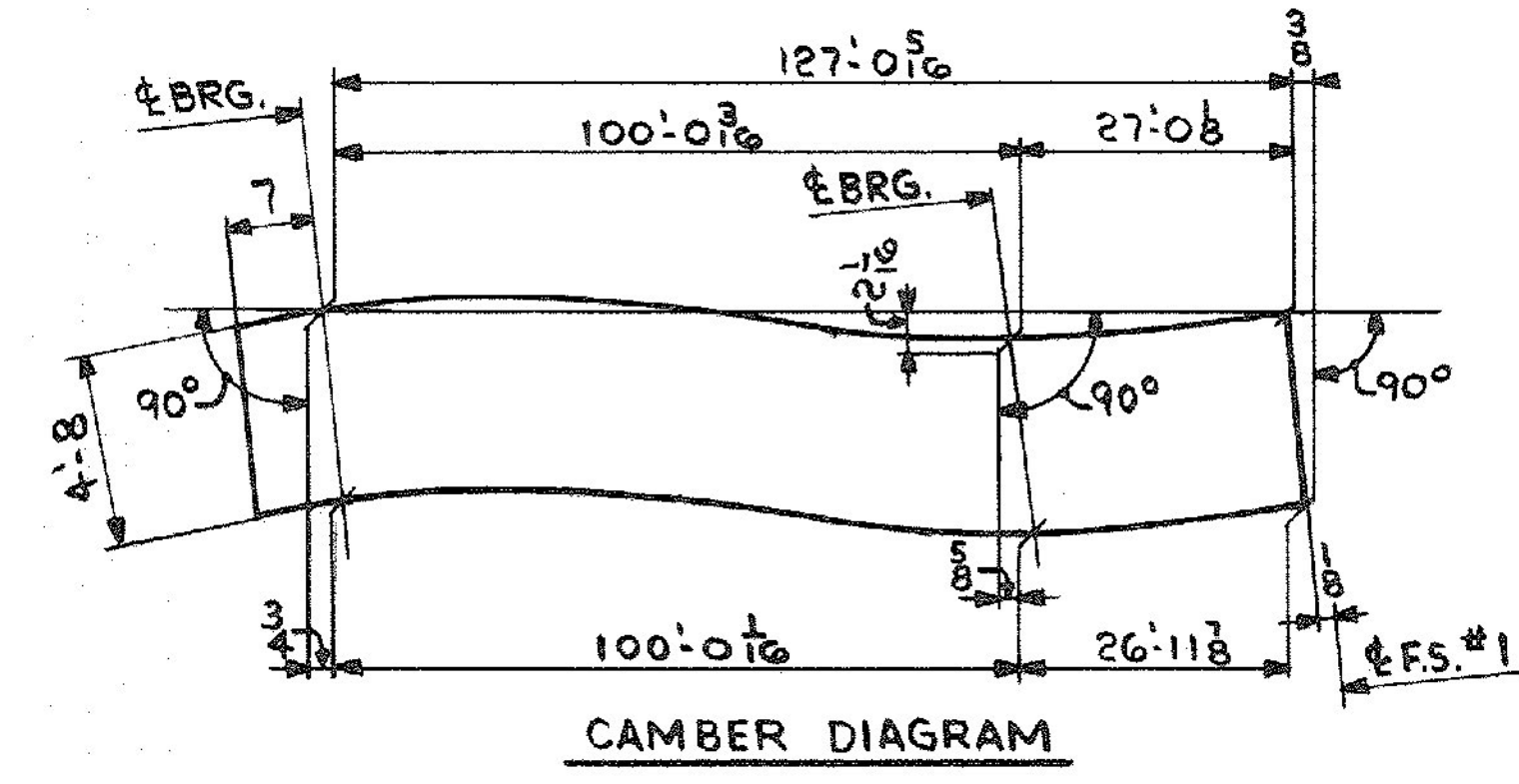
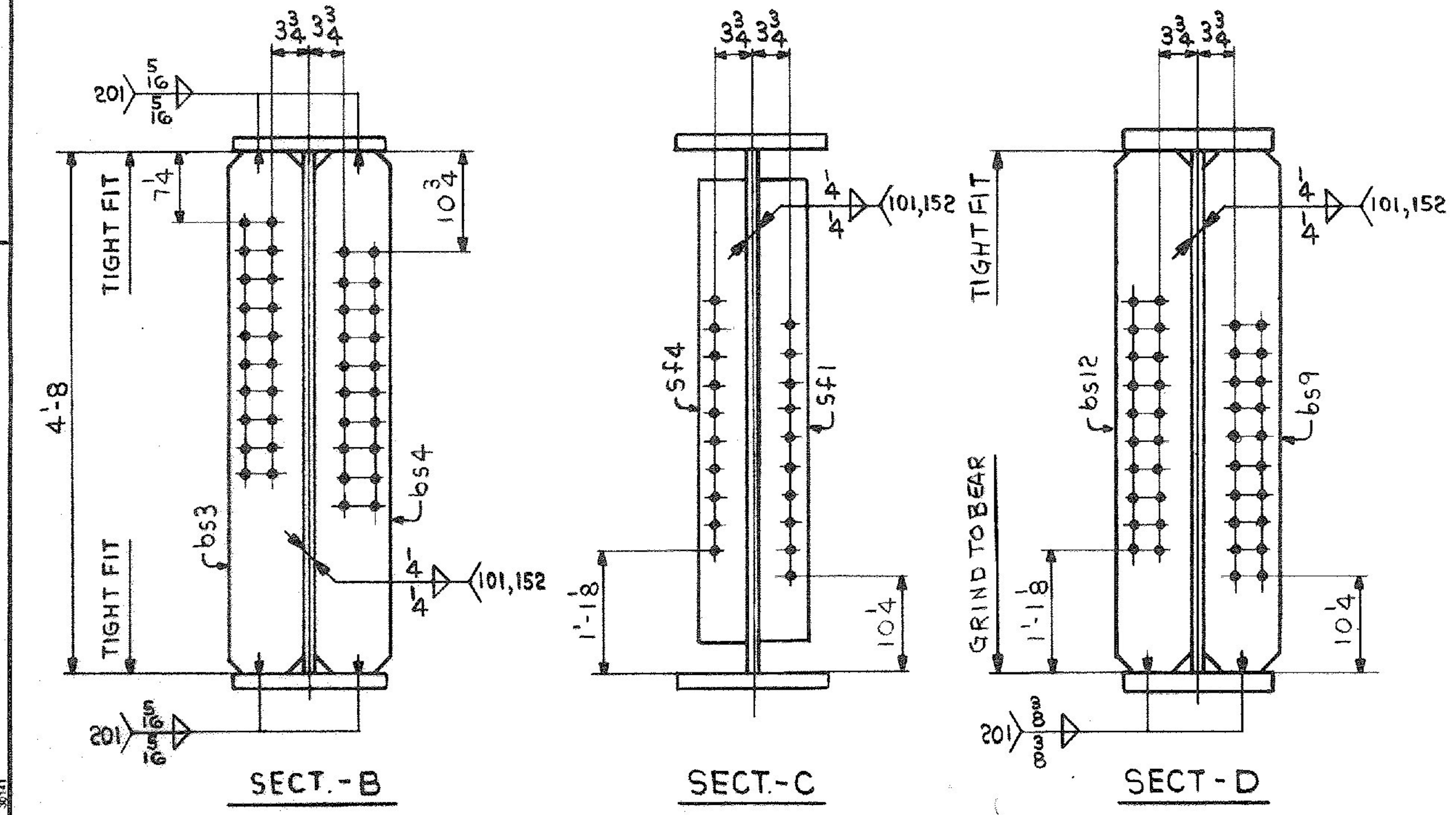


ONE GIRDER - G2A
 FOR GIRDER STANDARD DETAILS SEE DWG. 52-2.
 FOR WEB & FLG. R CUTTING & ASSEMBLY SEE DWG. 52-1.



SHIP		BILL OF MATERIAL				JOB NO.	DRAWING NO.	REV.
G2A		ONE	GIRDER			4-43	52-4	△
MARK	NO.	MARK	SHAPE	LENGTH	WGT.	ITEM	W/T	REMARKS
	1	wpl	R 5/8 x 56 1/16	63	10	57 1/2 x 64 0	B	CVN
	1	wp2	R 5/8 x 57 1/16	63	9 1/16	57 1/2 x 64 0	C	CVN
	1	tf1	R 3/4 x 16	80	7 5/16	10 30 1/2	F	CVN
	1	tf2	R 1 3/4 x 16	47	0	10 47 2	H	CVN
	1	bf1	R 3/4 x 16	80	6 1/16	10 28 9	G	CVN
	1	bf2	R 1 3/4 x 16	47	0	10 47 2	I	CVN
	1	bs3	R 3/4 x 8	4	8	6 8	J	95
	1	bs4	R 3/4 x 8	4	8	35 x	K	95
	1	bs9	R 3/4 x 8	4	8	19 0	L	95
	1	bs12	R 3/4 x 8	4	8	30 731	M	95
	4	sf1	R 5/8 x 5	4	2	24 0	N	177
	4	sf4	R 5/8 x 5	4	2	31 239	O	177
92565#								
IT. NO. 506.91		BR. NO. 6		PROJ. NO. F020-1(10)				
FOR APPROVAL				FOR FILES & FIELD				
STEEL: ASTM <input type="checkbox"/> A36 <input type="checkbox"/> A572 GR1 <input checked="" type="checkbox"/> A588 GR1 <input type="checkbox"/> Unless Noted								
WELDING ELECTRODE: <input type="checkbox"/> E70 <input checked="" type="checkbox"/> See Welding Proc. <input type="checkbox"/> None								
SHOP CONN: <input type="checkbox"/> Bolted <input checked="" type="checkbox"/> Welded <input type="checkbox"/> None								
FIELD CONN: <input checked="" type="checkbox"/> Bolted <input type="checkbox"/> Welded <input type="checkbox"/> None								
HOLES: <input type="checkbox"/> 13/16 <input checked="" type="checkbox"/> 15/16 <input type="checkbox"/> Unless Noted <input type="checkbox"/> None								
PAINT: <input checked="" type="checkbox"/> None <input type="checkbox"/> Shopcoat <input type="checkbox"/> Galv. After Fab. <input type="checkbox"/> As Noted								
SPECIAL PAINT: NONE								
SPECIAL CLEANING: <input checked="" type="checkbox"/> Blast Clean <input type="checkbox"/> None <input type="checkbox"/> SSPC-SP6								
GIRDER - G2A								
APPROVED: 2-1-85		 Pancroft & Martin Inc. South Portland, Maine 04106 JOB: U.S. ROUTE 4 W.B. OVER OTTER CREEK RUTLAND, VERMONT CUSTOMER: EARTH CONSTRUCTION DESIGNER: STATE OF VERMONT, AGENCY OF TRANS						
PRINT DIST.								
7 12-19-84 APP.								
8 2-12-85 FAB.								
DRAWN DW 11-28-84		F.B.F. VAT		ORDER NO. 4-43				
JOB: U.S. ROUTE 4 W.B. OVER OTTER CREEK RUTLAND, VERMONT		JOB NO. 4-43		DRAWING NO. 52-4		REV. △		