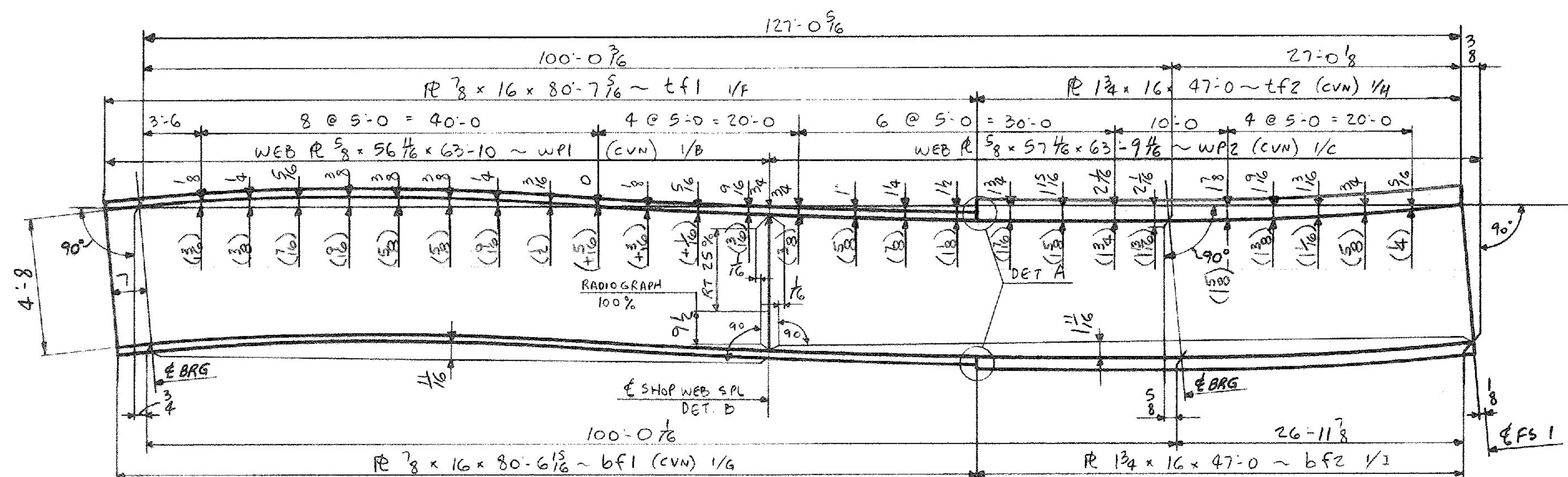
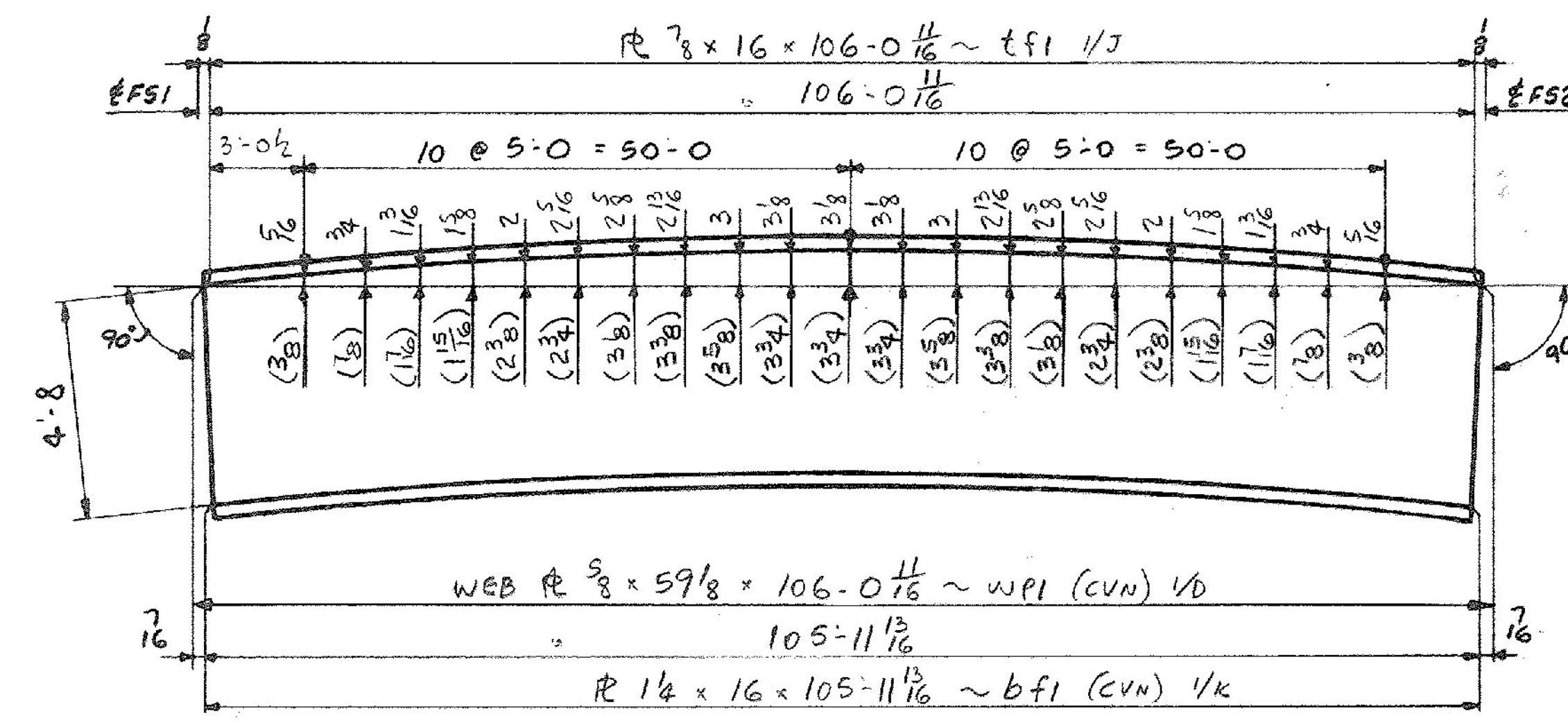


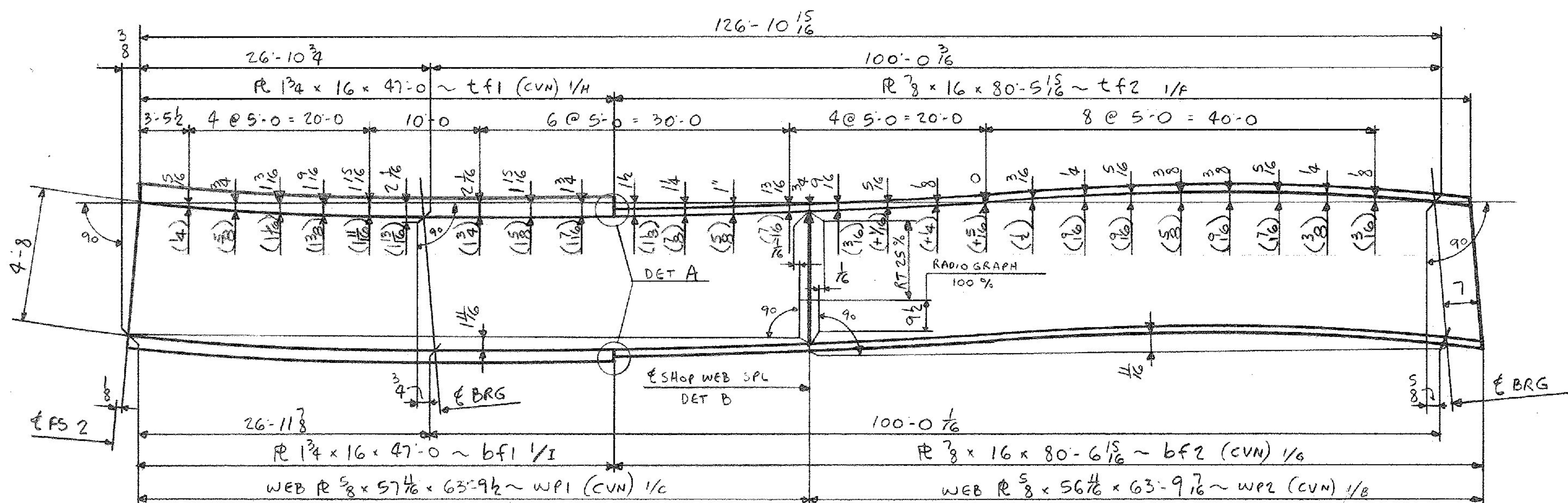
SHOP ASSEMBLY DIAGRAM - LINES 1 THRU 6



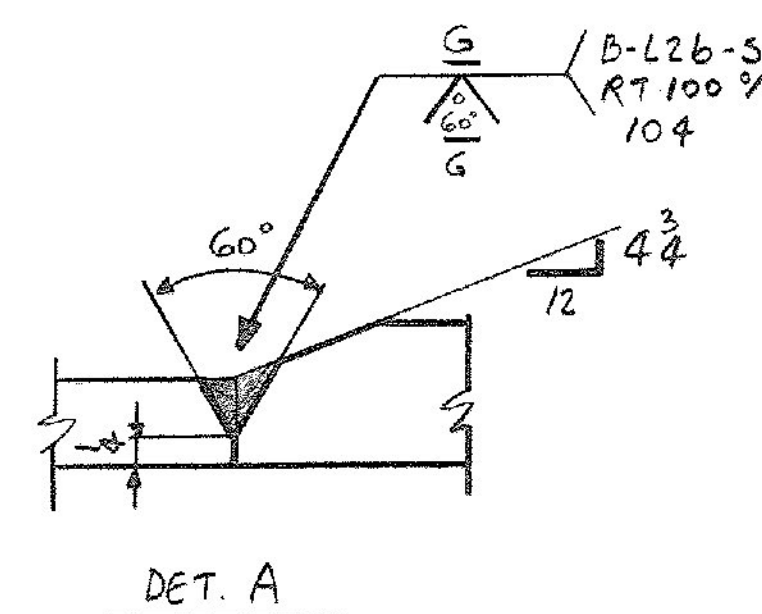
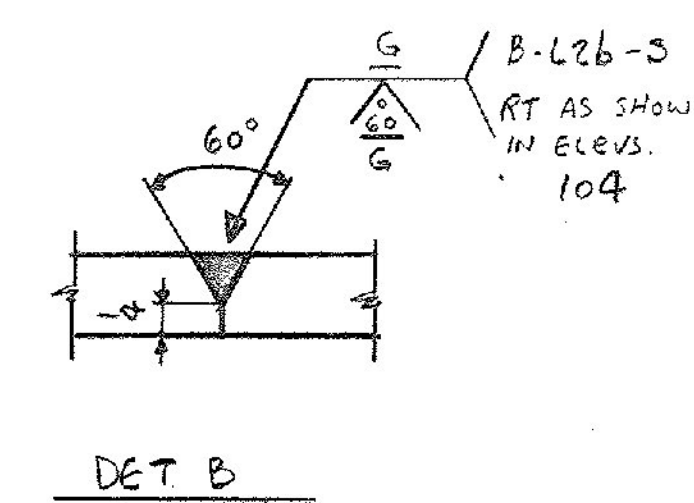
CAMBER DIAGRAM FOR G1A, G2A, G3A, G4A, G5A, G6A



CAMBER DIAGRAM FOR G1B, G2B, G3B, G4B, G5B, G6B



CAMBER DIAGRAM FOR G1C, G2C, G3C, G4C, G5C, G6C



(+ #) DENOTES SHOP CAMBER ABOVE WORK LINE - NOT AS SHOWN

() DENOTES SHOP CAMBER

IT. NO. 506.91	BR. NO. 6	PROJ. NO. F 020-1(10)		
FOR APPROVAL FOR FILES & FIELD				
CAMBER DIAGRAMS - WB				
APPROVED: 2-1-85	Pancroft & Martin Inc. South Portland, Maine 04106 JOB: U.S. RTE. 4 WB OVER OTTER CREEK RUTLAND, VERMONT CUSTOMER: EARTH CONSTRUCTION DESIGNER: STATE OF VERMONT, AGENCY OF TRANS.			
PRINT DIST.				
7 12-19-84 APP.				
8 2-12-85 FAB.				
ORIG 11-14-85 VAT				
REV. Δ	ORDER NO.	JOB NO.	DRAWING NO.	REV.
CHECKED 11-27-84 FK			4-43	52-1
DRAWN 11/13/84 LT				