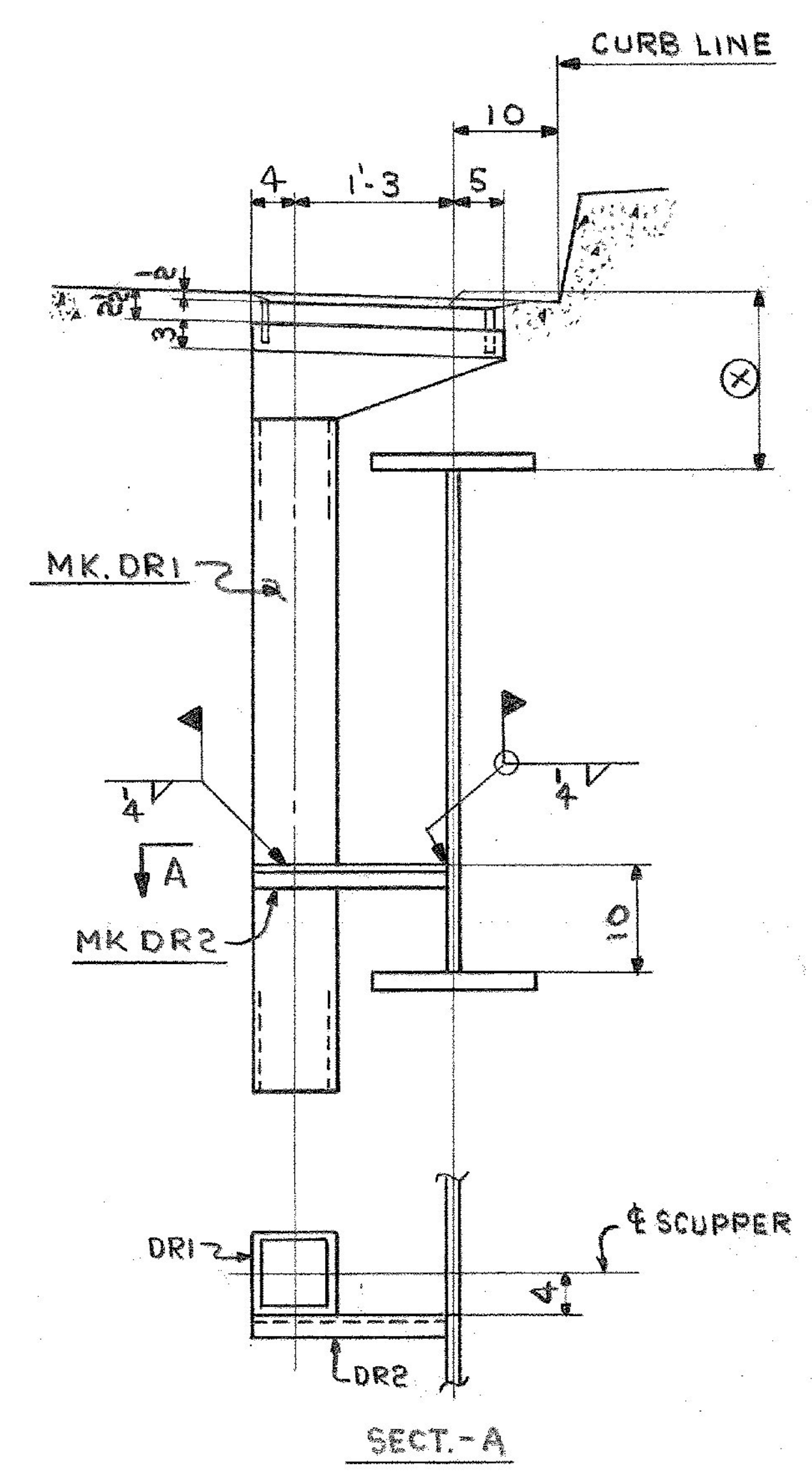


WESTBOUND FRAMING PLAN



SECTION - A
SECTION - SC1, SC2, SC3 & SC4

SECTION	(X)
SC1	1'-3 ⁵ / ₈
SC2	1'-3 ¹ / ₈
SC3	1'-3 ³ / ₄
SC4	1'-2 ¹¹ / ₁₆

FORM BRACKET HOLES

FORM BRACKET HOLES ARE TO BE PLUGGED WITH 7/8" φ x 2" A325, TYPE 3 HIGH STRENGTH BOLTS. HEADS ARE TO BE ON OUTSIDE. HOLES TO BE COMPLETELY COVERED.

IT. NO. 506.91	BR. NO. 6	PROJ. NO. F020-1(10)
FOR APPROVAL		FOR FILES & FIELD
WESTBOUND FRAMING PLAN		
APPROVED: 2-1-85	Bancroft & Martin Inc.	
PRINT DIST.	South Portland, Maine 04106	
7 12-14-84 APP.	U.S. 4 OVER OTTER CREEK	
8 2-12-85 FAB.	RUTLAND, VERMONT	
ORIG 11-14-85 V&T	CUSTOMER: EARTH CONSTRUCTION	
DESIGNER: STATE OF VERMONT AGENCY OF TRANS.		
REV. Δ	ORDER NO.	JOB NO.
CHECKED: RLA 11-2-84	4-43	E-2
DRAWN: RLA		