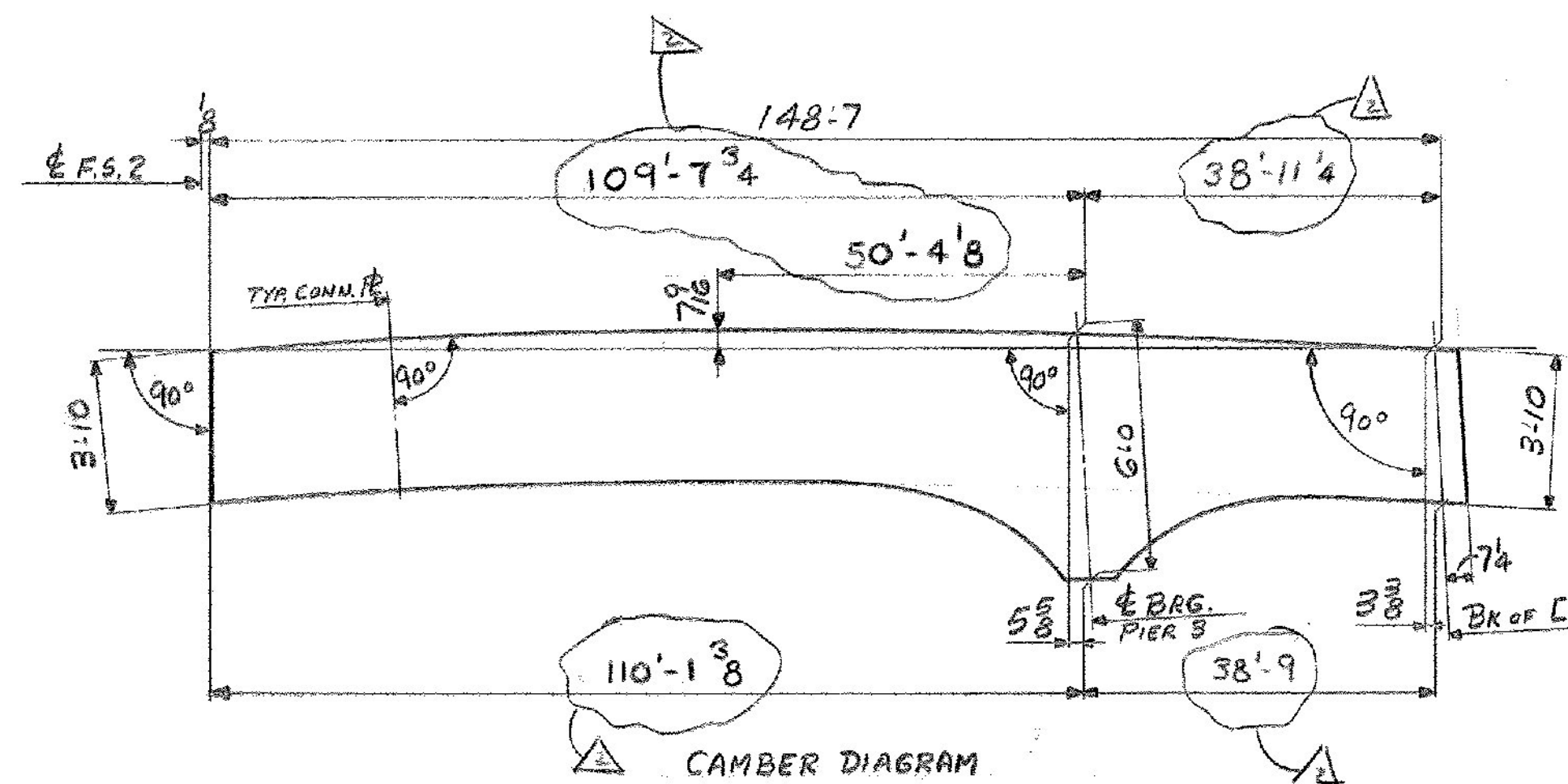
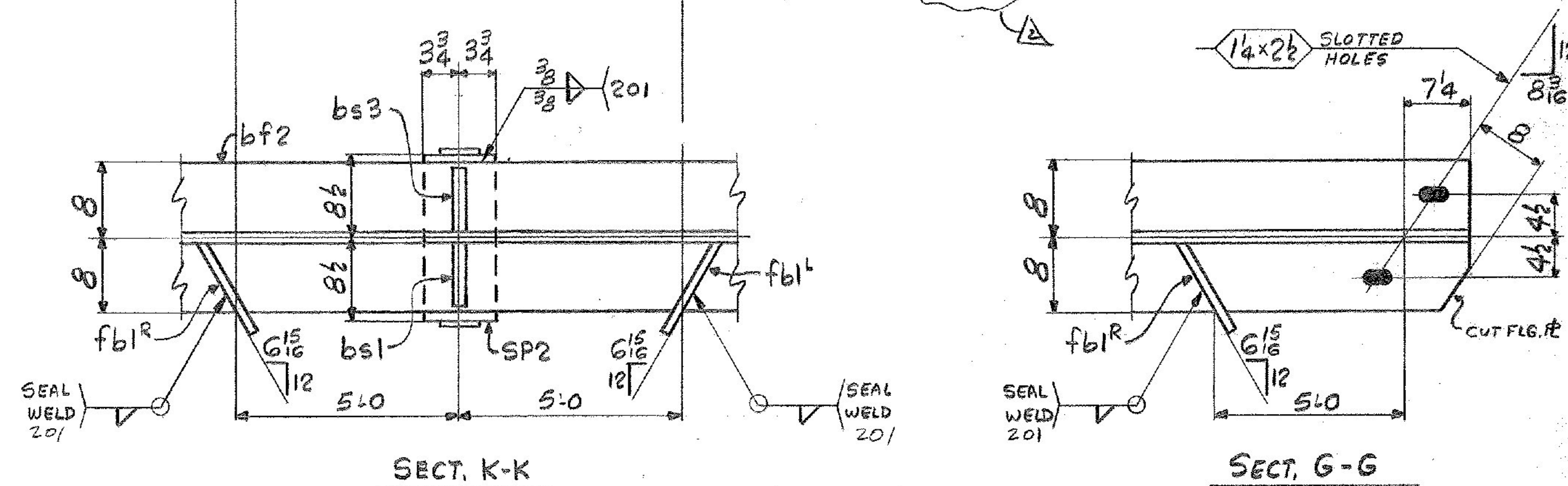


ONE - GIRDER - HG4C

FOR GIRDER STANDARD DETAILS SEE DWG. 52-3
 FOR WEB FL CUTTING SK. & FLG. & ASSY SEE DWG. 52-2
 FOR SHOP ASSEMBLY DIAGRAM SEE DWG. 52-1

WORK THIS DWG. WITH DWG. 52-23

DIM. (X)		
3'-0	55'-0	103'-0
7'-0	59'-0	107'-0
11'-0	63'-0	111'-0
15'-0	67'-0	115'-0
19'-0	71'-0	119'-0
23'-0	75'-0	123'-0
27'-0	79'-0	127'-0
31'-0	83'-0	131'-0
35'-0	87'-0	135'-0
39'-0	91'-0	139'-0
43'-0	95'-0	143'-0
47'-0	99'-0	147'-0
51'-0		



IT. NO. 506.91	BR. NO. 4	PROJ. NO. F020-1(10)
FOR APPROVAL		FOR FILES & FIELD
GIRDER - HG4C		
APPROVED: 5-17-84	Pancroft & Martin Inc. South Portland, Maine 04106 JOB: T.H. 22 OVER U.S. 4 E.B. & W.B. RUTLAND, VERMONT CUSTOMER: M & J CONSTRUCTION CO. DESIGNER: STATE OF VERMONT, AGENCY OF TRANSP.	
7 4-11-84 APP.		
8 6-27-84 FAB.		
N/R - F&F.		
7 10-4-84 APP.		
8 10-4-84 FAB.		
8 10-23-84 FAB.	CUSTOMER: M & J CONSTRUCTION CO.	
7 10-23-84 APP.	DESIGNER: STATE OF VERMONT, AGENCY OF TRANSP.	
5 10-19-84 FAB.	ORDER NO.	JOB NO.
REV. 10-3-84 JCM		
CHECKED 4/2/84 GK		
DRAWN 3-8-84 ELC		

11/11/89 JCM EXT DIM
 10/16/89 JCM EXT DIMS
 JCM CHANGE FLG SPL LOCATIONS