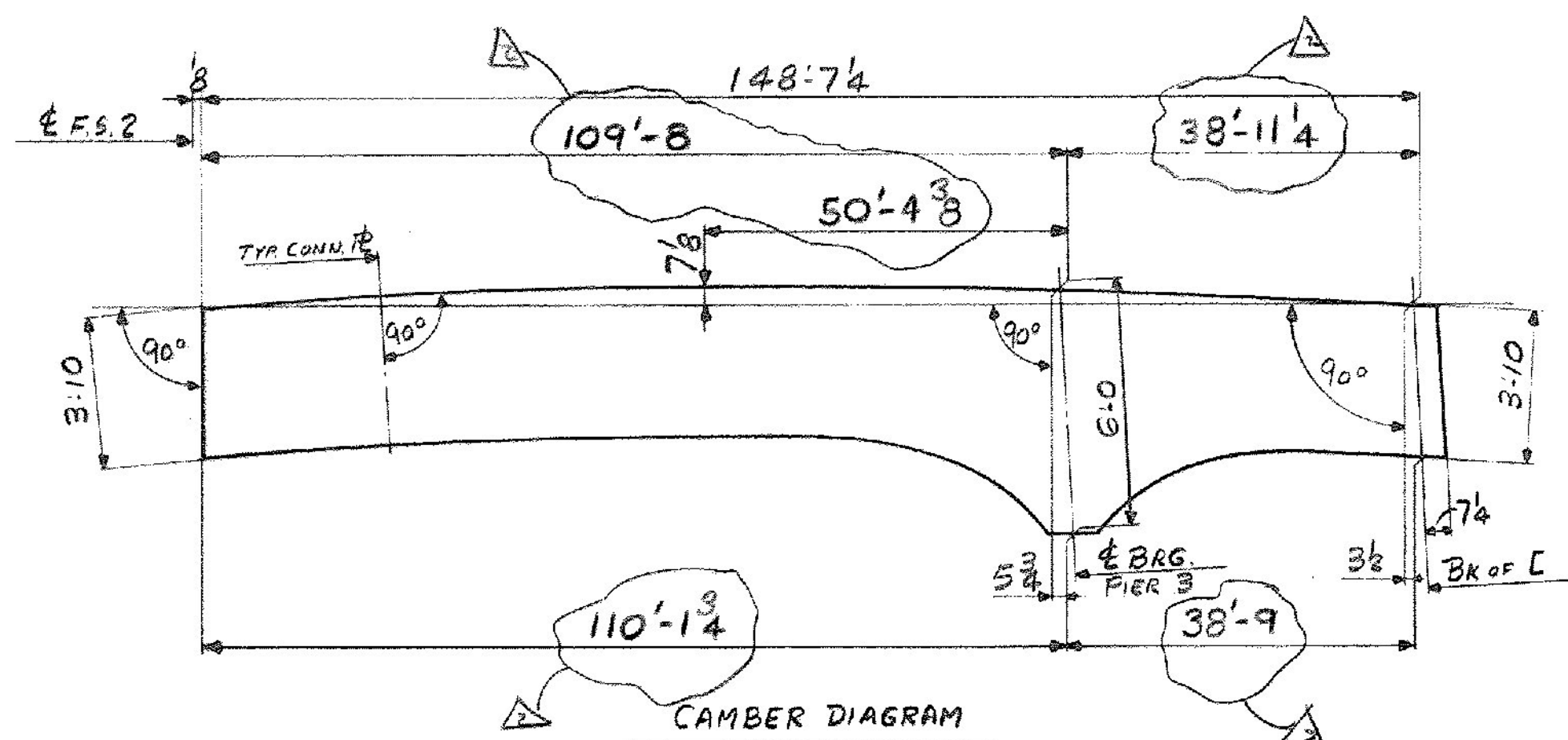
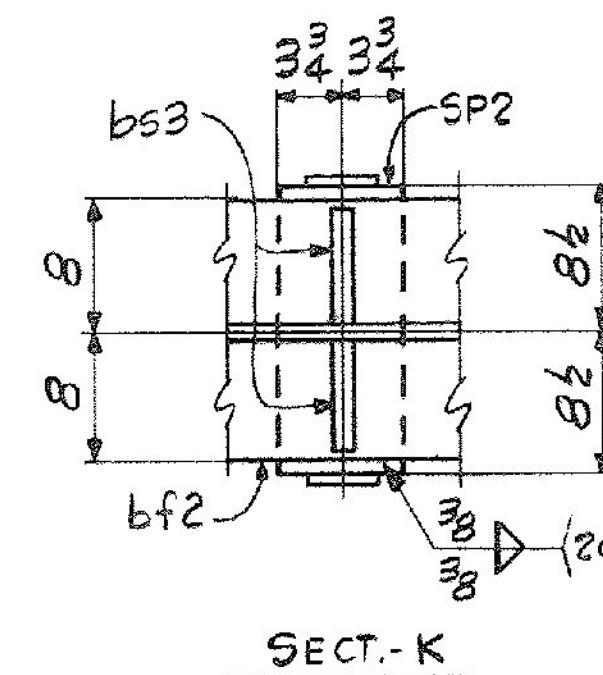


ONE - GIRDER - HG2C

FOR GIRDER STANDARD DETAILS SEE DWG. 52-3
 FOR WEB R CUTTING SK. & FLG. R ASSY SEE DWG. 52-2
 FOR SHOP ASSEMBLY DIAGRAM SEE DWG. 52-1

WORK THIS DWG. WITH DWG. 52-19



△ EXT DIMS
 △ CHANGE FLG SPL LOCATIONS

IT. NO. 506.91	BR. NO. 4	PROJ. NO. F020-1(10)		
FOR APPROVAL		FOR FILES & FIELD		
GIRDER - HG2C				
APPROVED: 5-17-84	<i>Bancroft & Martin Inc.</i> South Portland, Maine 04106			
PRINT DIST.				
7 7-11-84 APP.	JOB: T.H. 22 OVER U.S. & E.B. & W.B. RUTLAND, VERMONT			
8 6-27-84 FAB.				
NR - - - - -	CUSTOMER: M & J CONSTRUCTION CO.			
7 10-9-84 APP.				
8 10-4-84 FAB.	DESIGNER: STATE OF VERMONT, AGENCY OF TRANSP.			
8 10-23-84 FAB.				
7 10-23-84 APP.	ORDER NO.	JOB NO.	DRAWING NO.	REV.
REV. △ 10-3-84 JCM				
CHECKED 4-12-84 GK				
DRAWN 3-8-84 ELC		4-7	52-18	△