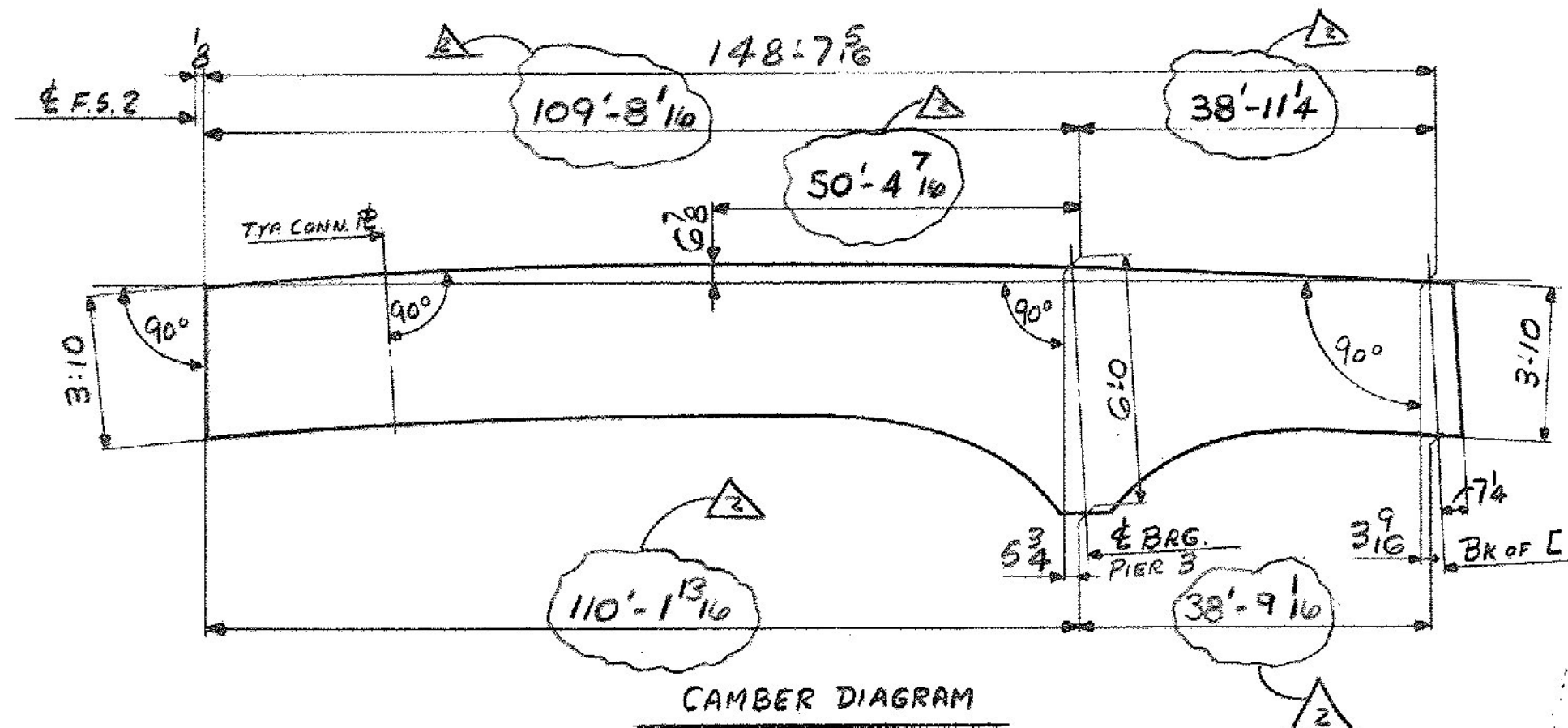
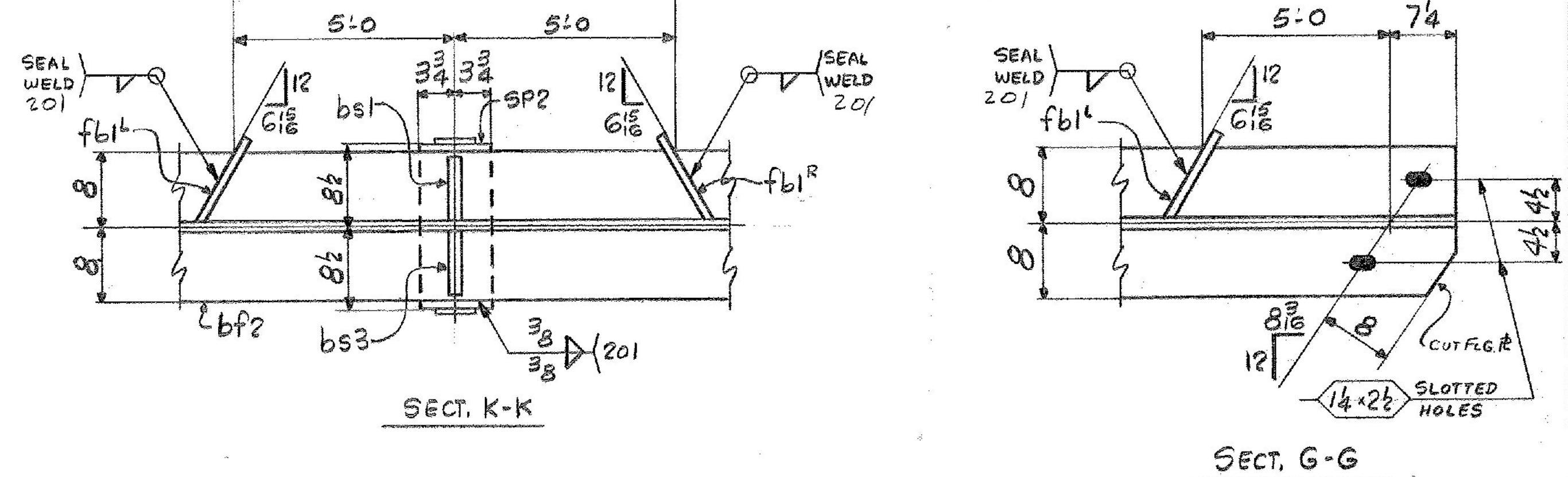


ONE - GIRDER - HGIC

FOR GIRDER STANDARD DETAILS SEE DWG. 52-3
 FOR WEB & CUTTING SK. & FLG. & ASSY SEE DWG. 52-2
 FOR SHOP ASSEMBLY DIAGRAM SEE DWG. 52-1

WORK THIS DWG. WITH DWG. 52-17

| DIM. (X) | | |
|----------|-------|--------|
| 2'-1 | 54'-1 | 102'-1 |
| 6'-1 | 58'-1 | 106'-1 |
| 10'-1 | 62'-1 | 110'-1 |
| 14'-1 | 66'-1 | 114'-1 |
| 18'-1 | 70'-1 | 118'-1 |
| 22'-1 | 74'-1 | 122'-1 |
| 26'-1 | 78'-1 | 126'-1 |
| 30'-1 | 82'-1 | 130'-1 |
| 34'-1 | 86'-1 | 134'-1 |
| 38'-1 | 90'-1 | 138'-1 |
| 42'-1 | 94'-1 | 142'-1 |
| 46'-1 | 98'-1 | 146'-1 |
| 50'-1 | | |



| | | |
|---------------------|---|------------------------------|
| IT. NO. 506.91 | BR. NO. 4 | PROJ. NO. F020-1(10) |
| FOR APPROVAL | | FOR FILES & FIELD |
| GIRDER - HGIC | | |
| APPROVED: 5-17-84 | <i>Bancroft & Martin Inc.</i> South Portland, Maine 04106 JOB: T.H. 22 OVER U.S. 4 E.B. & W.B. RUTLAND, VERMONT CUSTOMER: M & J CONSTRUCTION Co. DESIGNER: STATE OF VERMONT, AGENCY OF TRANSP. | |
| PRINT DIST. | | |
| 7 4-11-84 APP. | | |
| 8 6-27-84 FAB. | | |
| NRL | F&F: | REV. 7 10-9-84 APP. |
| | | 8 10-4-84 FAB. |
| | | 8 10-23-84 FAB. |
| | | 7 10-23-84 APP. |
| | | 7 10-23-84 JCM. |
| REV. 10-3-84 JCM | ORDER NO. | JOB NO. |
| CHECKED 4/2/84 SK | | DRAWING NO. |
| DRAWN 3-7-84 ELC | | REV. |
| | 4-7 | 52-16 |

EXT DIMS
 CHANGE FLG SPL LOCATIONS