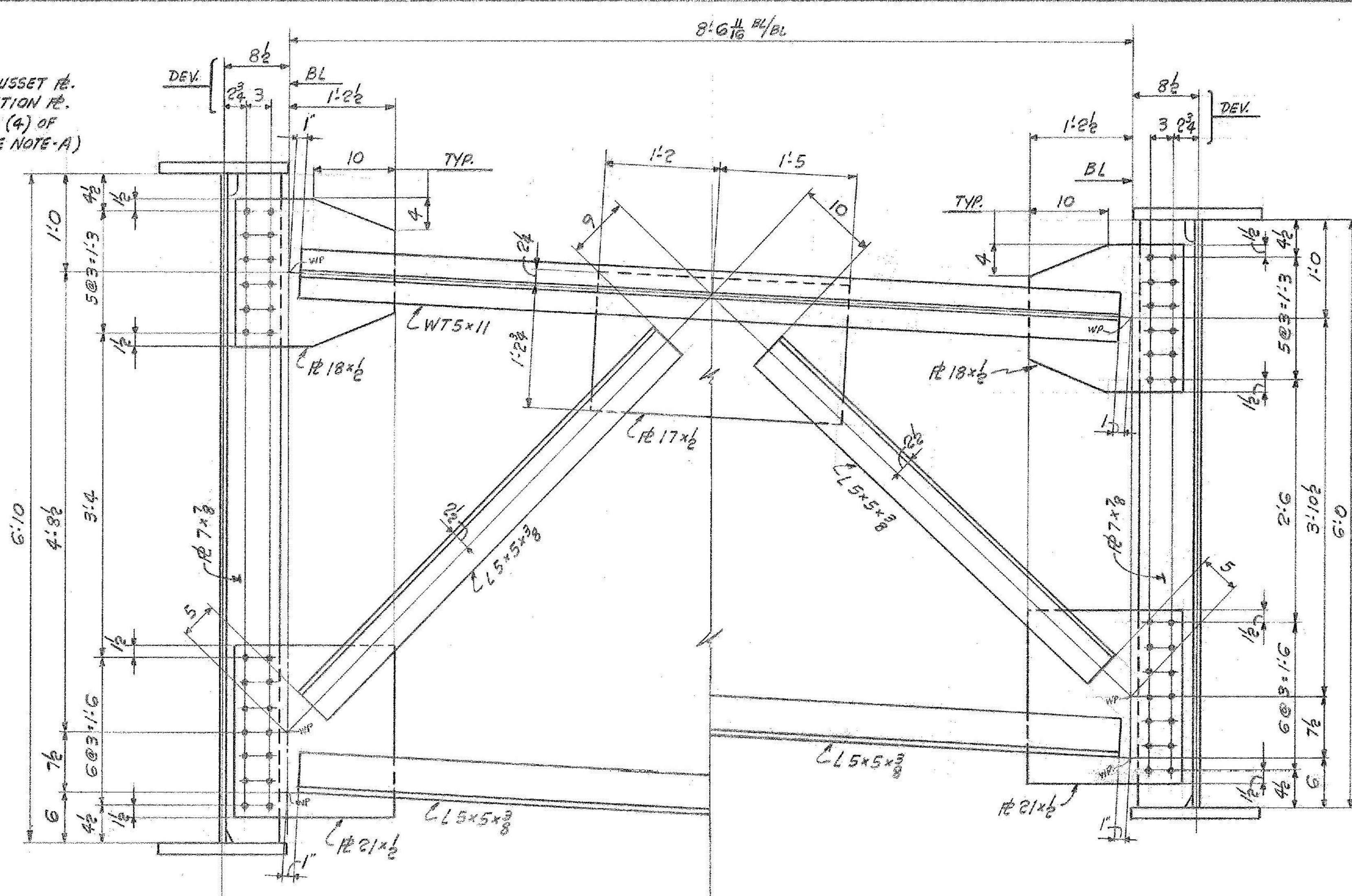


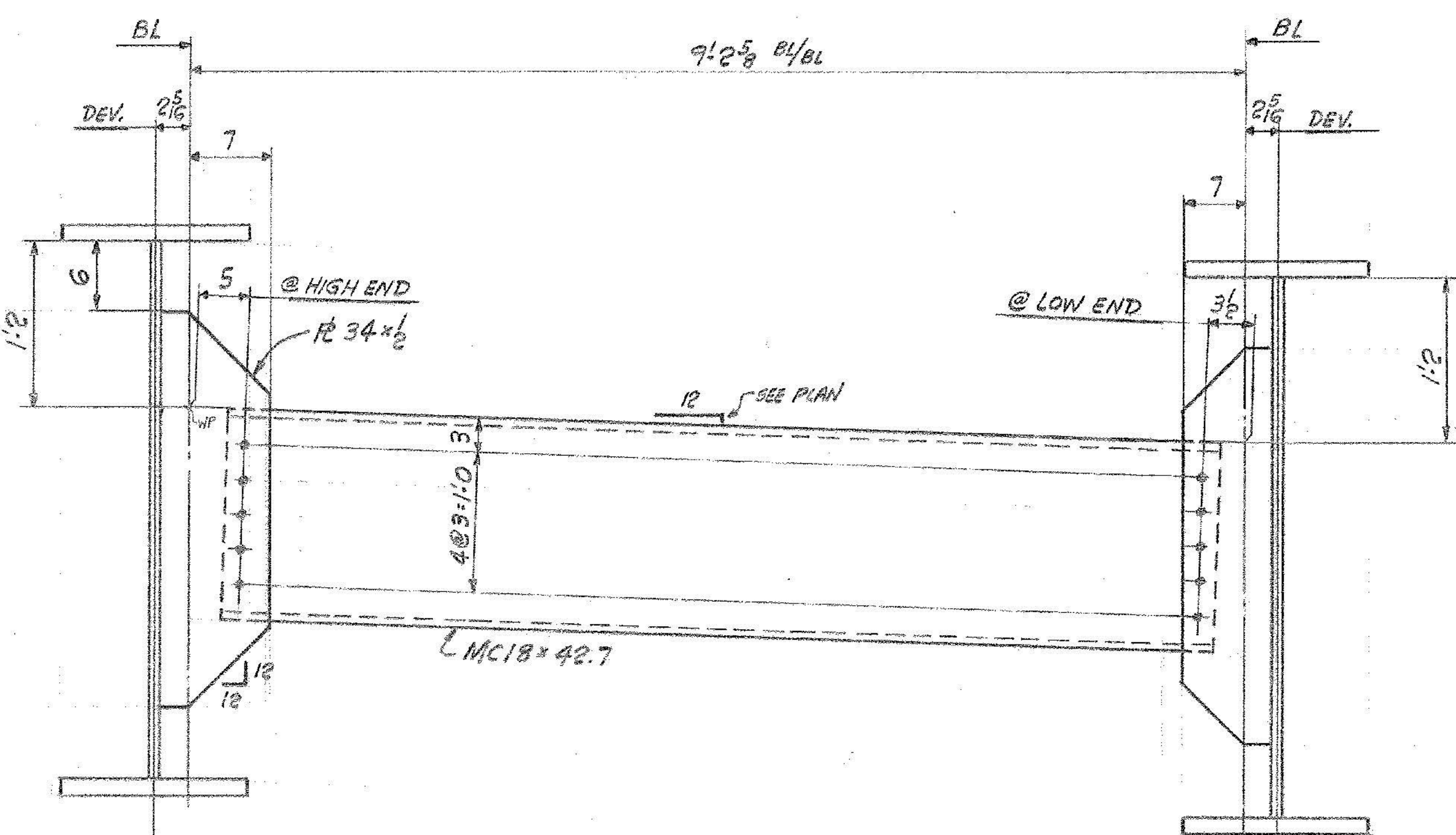
INTERMEDIATE CROSSFRAME  
(LOOKING SOUTH)

CALC. NO.	DL	WPL	HL	DR	WPR	HR
X1, X2, X3	4'-0 <sup>1</sup> / <sub>16</sub>	2'-1 <sup>7</sup> / <sub>16</sub>	1'-7 <sup>7</sup> / <sub>16</sub>	3'-10 <sup>1</sup> / <sub>16</sub>	1'-11 <sup>1</sup> / <sub>16</sub>	1'-5 <sup>1</sup> / <sub>16</sub>
X4, X5, X6	4'-0 <sup>8</sup> / <sub>16</sub>	2'-1 <sup>1</sup> / <sub>2</sub>	1'-7 <sup>8</sup> / <sub>16</sub>	4'-4 <sup>3</sup> / <sub>16</sub>	2'-5 <sup>3</sup> / <sub>16</sub>	1'-11 <sup>3</sup> / <sub>16</sub>
X7, X8, X9	3'-10	1'-11	1'-5	3'-10	1'-11	1'-5
X10, X11, X12	4'-2 <sup>3</sup> / <sub>16</sub>	2'-3 <sup>3</sup> / <sub>16</sub>	1'-9 <sup>3</sup> / <sub>16</sub>	3'-10 <sup>15</sup> / <sub>16</sub>	1'-11 <sup>15</sup> / <sub>16</sub>	1'-5 <sup>15</sup> / <sub>16</sub>
X13, X14, X15	3'-10 <sup>1</sup> / <sub>16</sub>	1'-11 <sup>1</sup> / <sub>16</sub>	1'-5 <sup>1</sup> / <sub>16</sub>	4'-2 <sup>3</sup> / <sub>16</sub>	2'-3 <sup>3</sup> / <sub>16</sub>	1'-9 <sup>3</sup> / <sub>16</sub>
X16, X17, X18	4'-3 <sup>3</sup> / <sub>16</sub>	2'-4 <sup>5</sup> / <sub>16</sub>	1'-10 <sup>5</sup> / <sub>16</sub>	4'-0	2'-1	1'-7
X19, X20, X21	4'-0 <sup>3</sup> / <sub>8</sub>	2'-1 <sup>3</sup> / <sub>8</sub>	1'-7 <sup>3</sup> / <sub>8</sub>	4'-5 <sup>3</sup> / <sub>8</sub>	2'-6 <sup>3</sup> / <sub>8</sub>	2'-0 <sup>3</sup> / <sub>8</sub>



PIER 2 CROSSFRAME (LOOKING SOUTH) K1, K2, K3  
PIER 1 & 3 CROSSFRAME (LOOKING SOUTH) K4-K9

SYM. ABT.



ABUT. DIAPHRAGM  
(LOOKING NORTH @ ABUT. 1)  
(LOOKING SOUTH @ ABUT. 2)

**NOTE-A**  
ALL INT. CROSSFRAMES SHALL BE CONNECTED WITH (4) 7/8" A305 BOLTS, FINGER TIGHT IN SLOTTED HOLES, BEFORE THE DECK IS POURED. AFTER THE DECK IS POURED, THE REMAINING BOLTS SHALL BE INSTALLED (REAM HOLES IF REQ'D) IN THE CONNECTION PLATES AND TIGHTENED. HARDENED WASHERS SHALL BE USED OVER SLOTTED HOLES.

IT. NO. 506.91	BR. NO. 4	PROJ. NO. F020-1(10)
<b>FOR APPROVAL</b>		<b>FOR FILES &amp; FIELD</b>
LAYOUTS		
APPROVED: 5-17-84	Bancroft & Martin Inc.	
PRINT DIST.	South Portland, Maine 04106	
7 4-11-84 APP.	JOB: T.H. 22 OVER U.S. RTE. 4 E.B. & W.B. RUTLAND, VERMONT	
B 6-27-84 FAB.	CUSTOMER: M & J CONSTRUCTION CO.	
N.R.	DESIGNER: STATE OF VERMONT, AGENCY OF TRANS.	
REV. Δ	ORDER NO.	JOB NO.
CHECKED: 2/24/84 LT		4-7
DRAWN: 2-15-84 FK		E2
		921-04