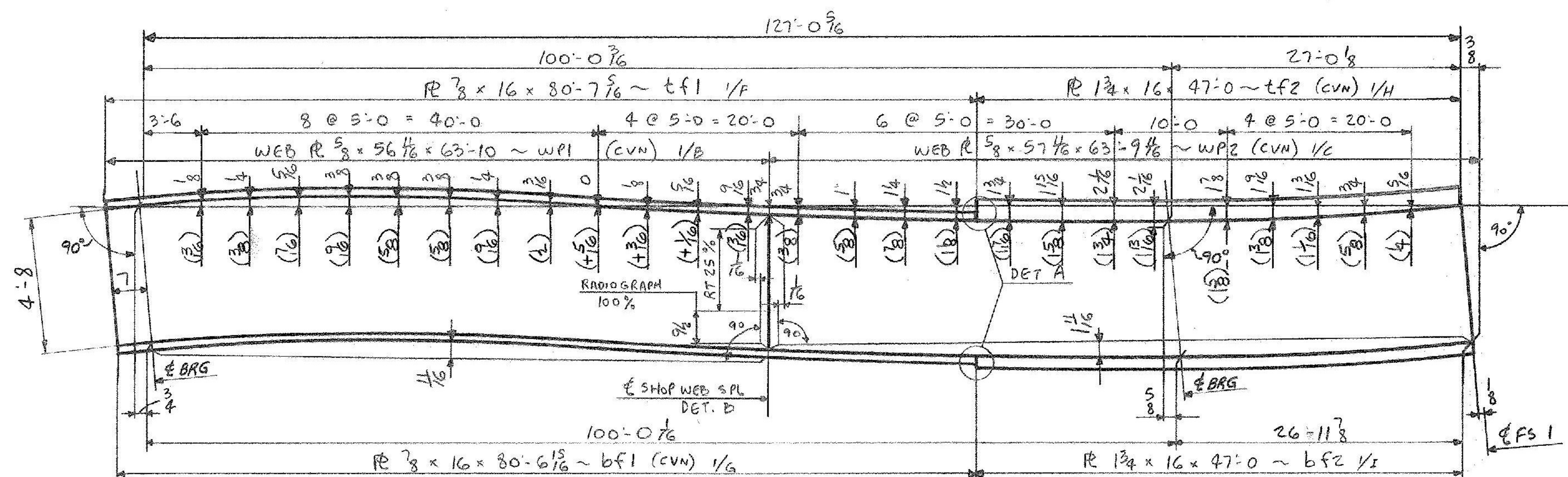
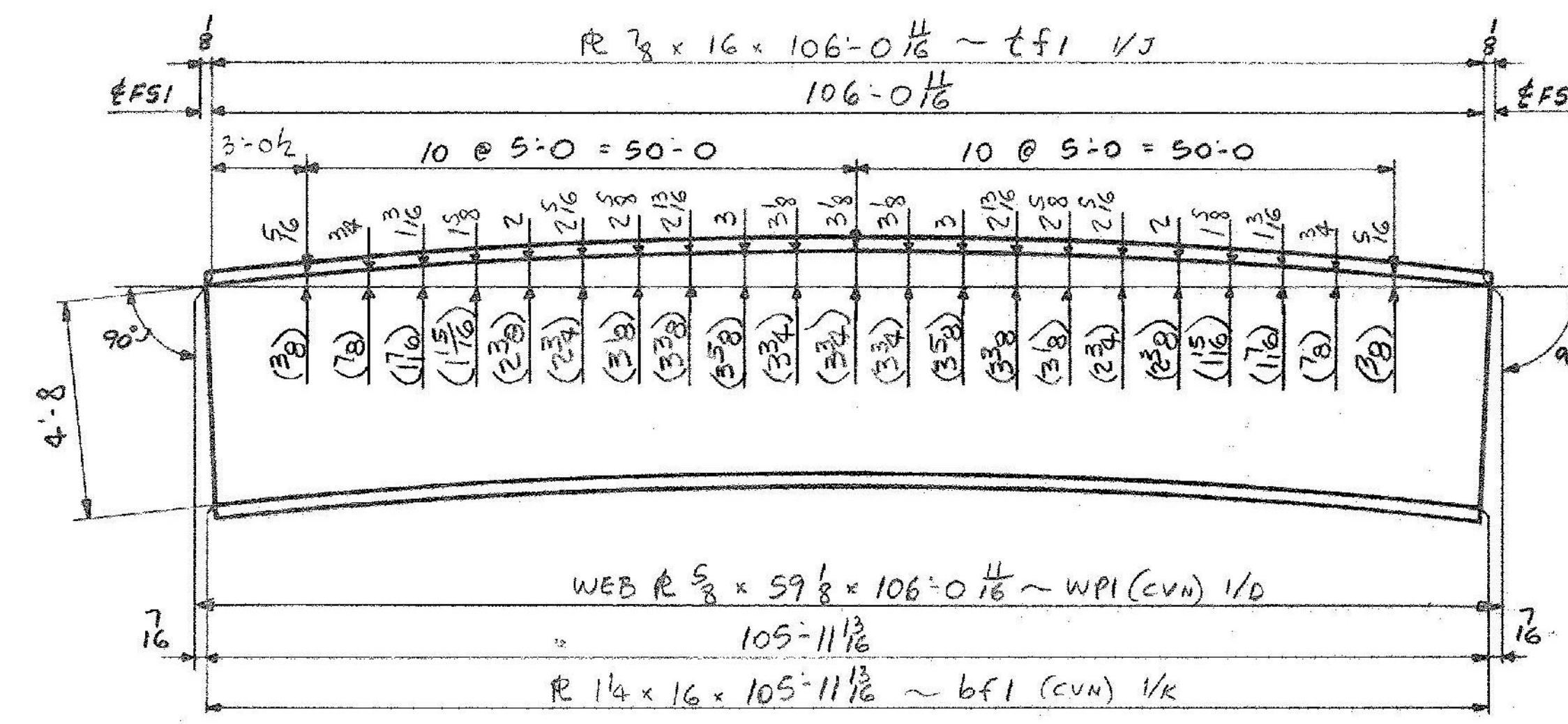


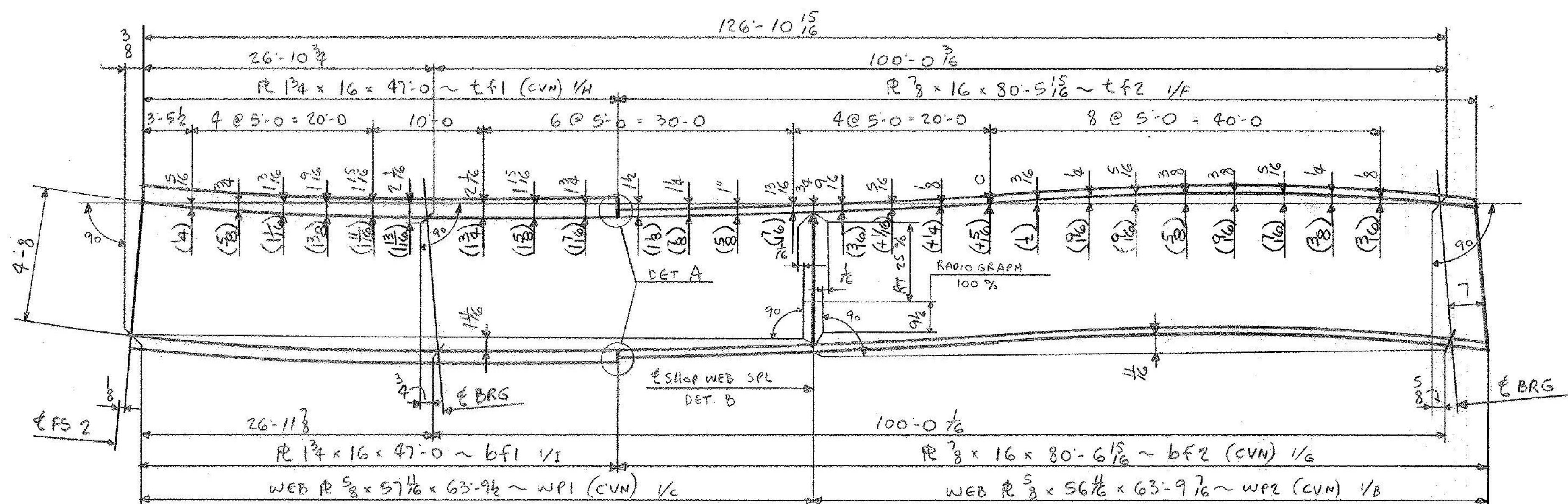
SHOP ASSEMBLY DIAGRAM - LINES 7 THRU 12



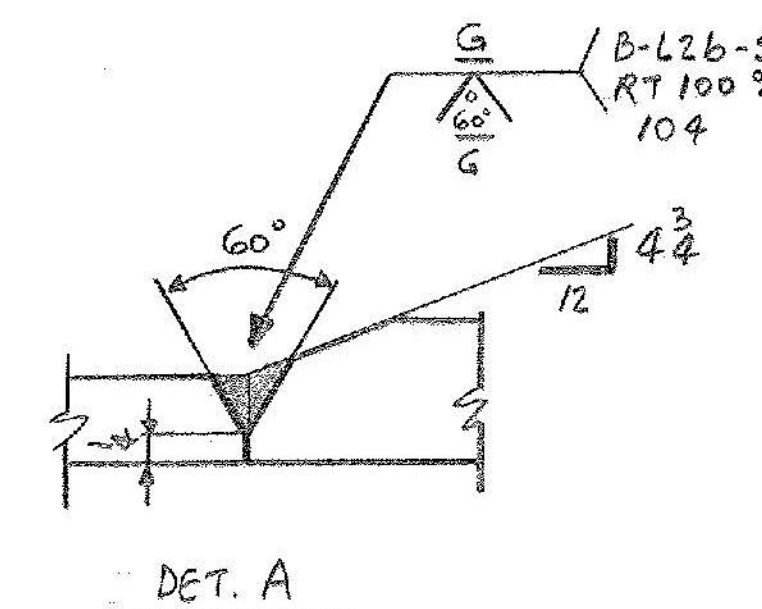
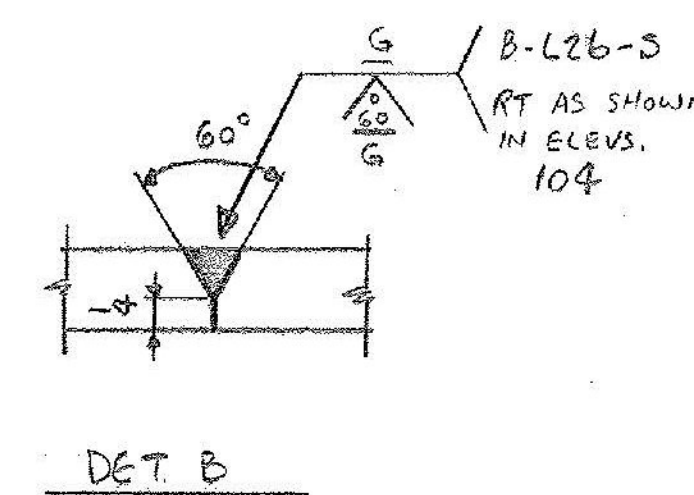
CAMBER DIAGRAM FOR G7A, G8A, G9A, G10A, G11A, G12A



CAMBER DIAGRAM FOR G7B, G8B, G9B, G10B, G11B, G12B



CAMBER DIAGRAM FOR G7C, G8C, G9C, G10C, G11C, G12C



(+#) DENOTES SHOP CAMBER ABOVE WORK LINE - NOT AS SHOWN

( ) DENOTES SHOP CAMBER

IT. NO. 506.91	BR. NO. G	PROJ. NO. F 020-1(10)
<b>FOR APPROVAL</b>		<b>FOR FILES &amp; FIELD</b>
CAMBER DIAGRAMS - EB		
APPROVED: 2-1-85	<b>Pancroft &amp; Martin Inc.</b> South Portland, Maine 04106 JOB: U.S. RTE. 4 EB OVER OTTER CREEK RUTLAND, VERMONT	
PRINT DIST.		
7 12-14-84 APP.		
8 2-26-85 FAB.		
ORIG 3-26-86 VAT	F&F:	JOB: U.S. RTE. 4 EB OVER OTTER CREEK RUTLAND, VERMONT
CUSTOMER: EARTH CONSTRUCTION		
DESIGNER: STATE OF VERMONT, AGENCY OF TRANS.		
REV. Δ	ORDER NO.	JOB NO.
CHECKED 11-27-84 FK		4-44
DRAWN 11/13/84 LT		52-1