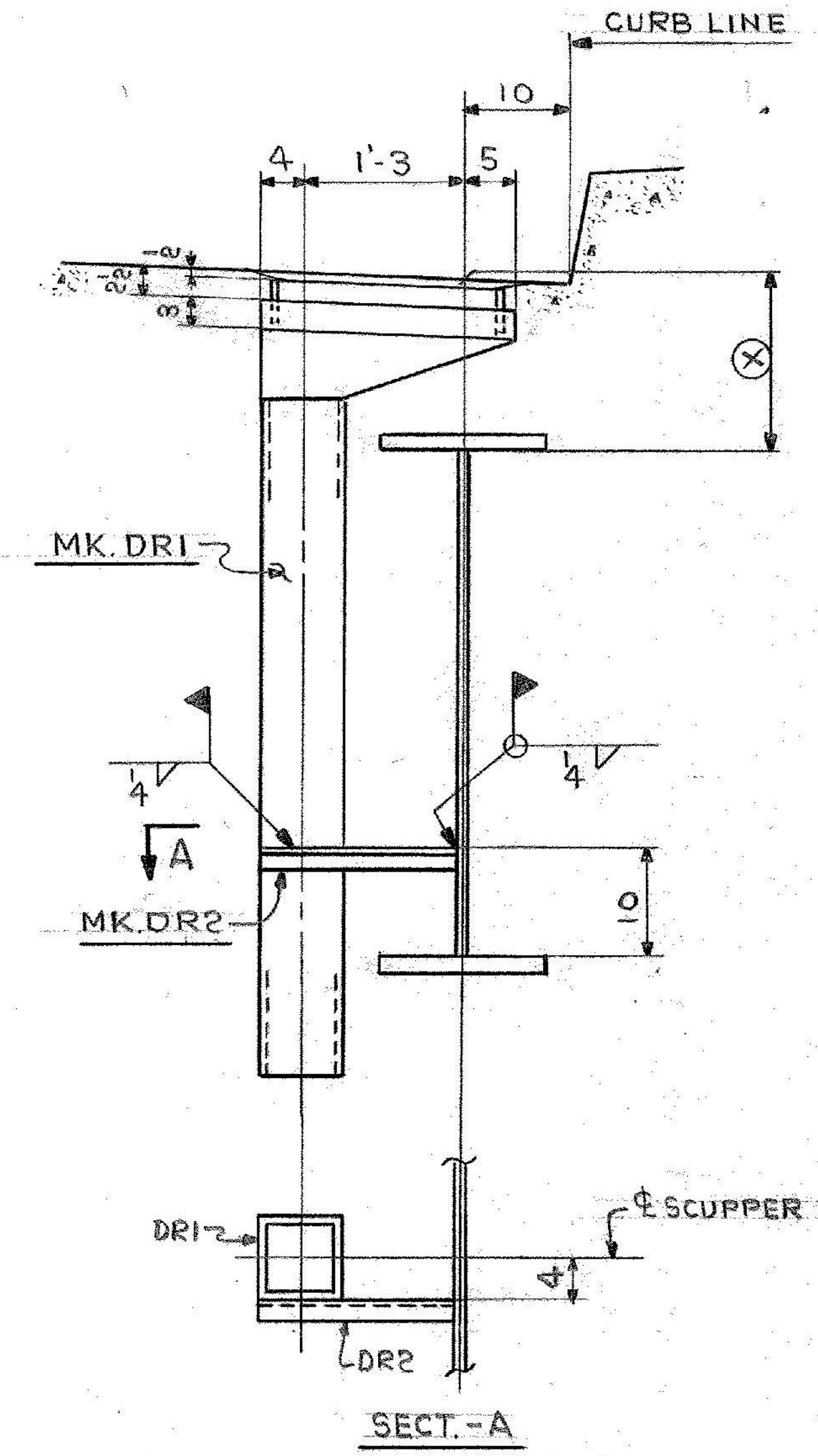


EASTBOUND FRAMING PLAN

MATCH LINE
CONT. ON DWG. E-1

FORM BRACKET HOLES

FORM BRACKET HOLES ARE TO BE PLUGGED WITH 7/8" x 2 A325, TYPE 3 HIGH STRENGTH BOLTS. HEADS ARE TO BE ON OUTSIDE. HOLES TO BE COMPLETELY COVERED.



SECT.-A

SECT.-SC1, SC2, SC3 & SC4

SECTION	(X)
SC1	1'-3 5/8
SC2	1'-3 1/8
SC3	1'-3 3/4
SC4	1'-2 11/16

IT. NO. 506.91	BR. NO. 6	PROJ. NO. F020-1(10)
FOR APPROVAL		FOR FILES & FIELD
EASTBOUND FRAMING PLAN		
APPROVED: 2-1-85	<i>Bancroft & Martin Inc.</i> South Portland, Maine 04106 U.S. 4 OVER OTTER CREEK RUTLAND, VERMONT	
PRINT DIST.		
7 12-14-84 APP.		
8 2-26-85 FAB.		
ORIG 3-26-86 VAT		
CUSTOMER: EARTH CONSTRUCTION		
DESIGNER: STATE OF VERMONT AGENCY OF TRANS.		
REV. Δ	ORDER NO.	JOB NO.
CHECKED 12-13-84 PW		
DRAWN 11-2-84 RLA	4-44	E-2