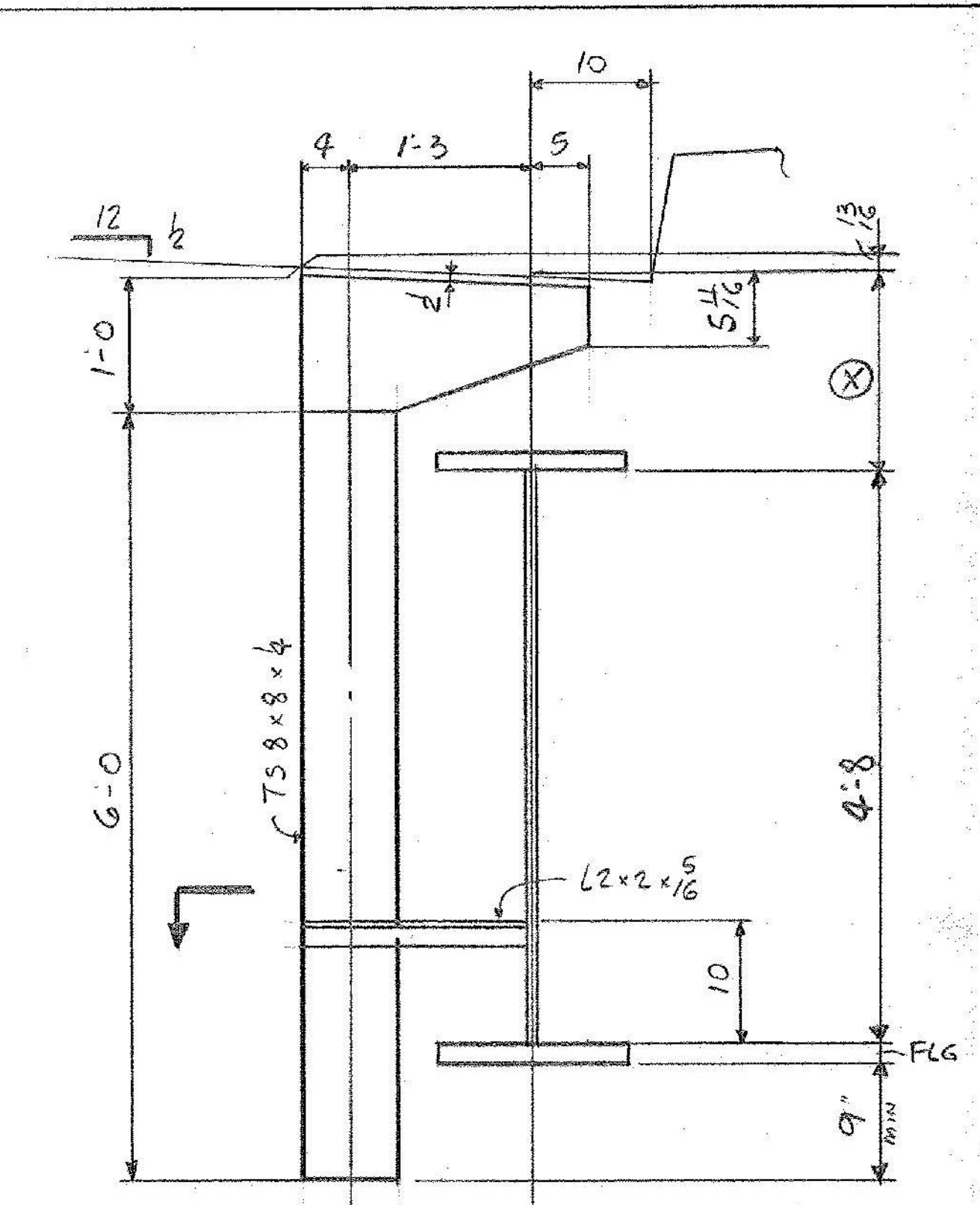
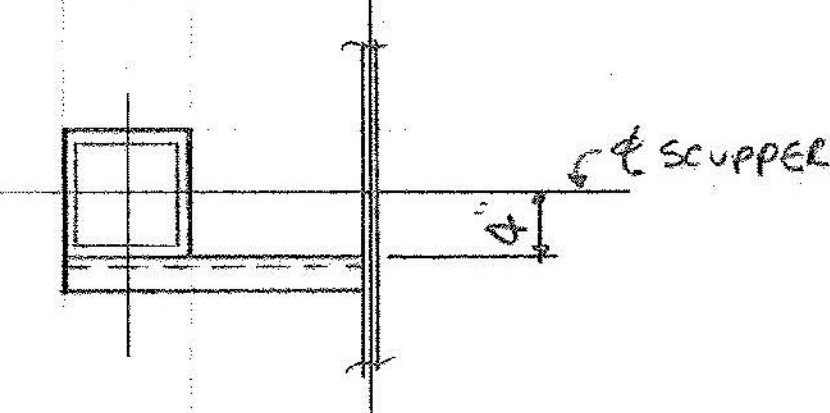


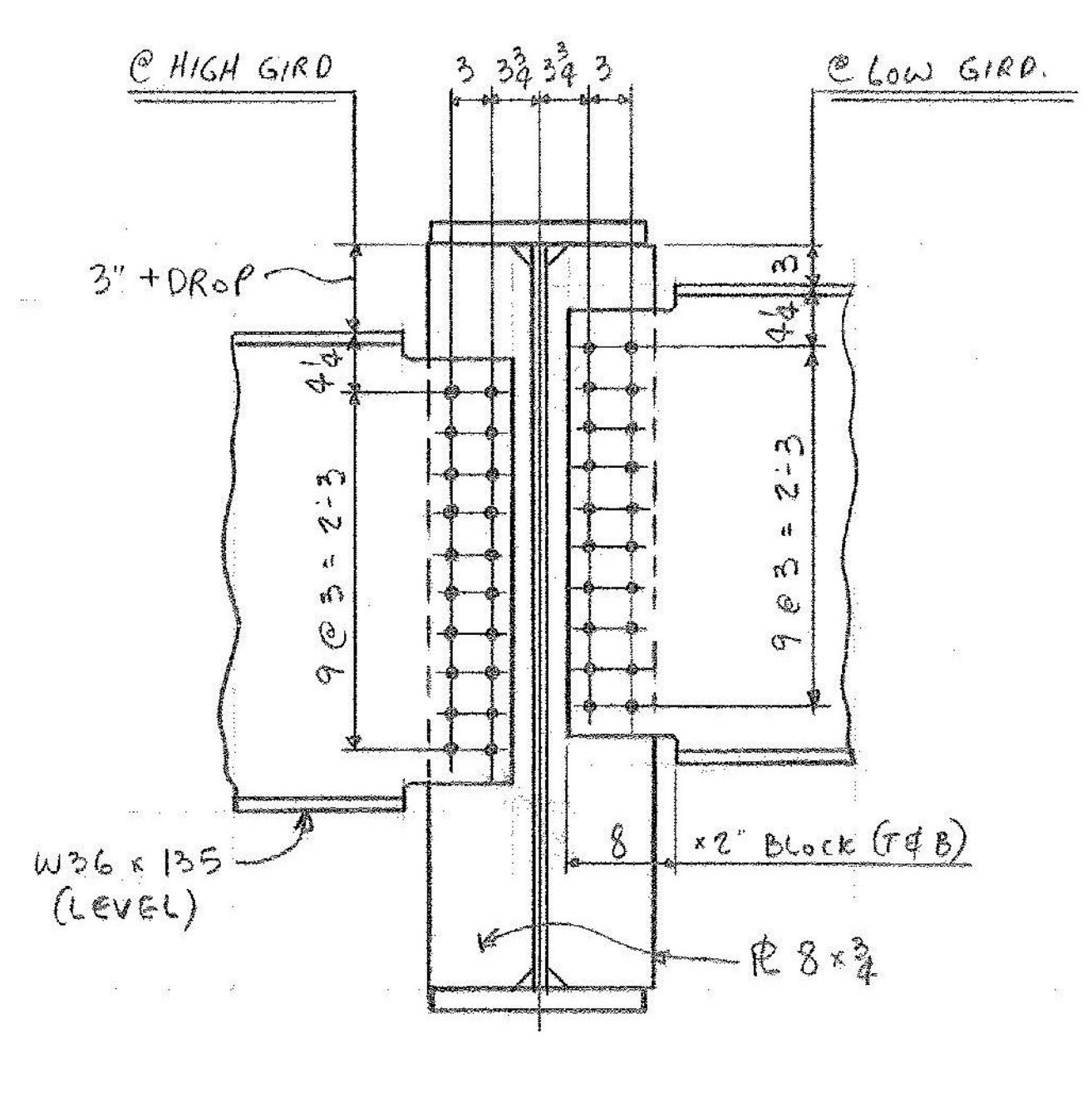
EASTBOUND FRAMING PLAN



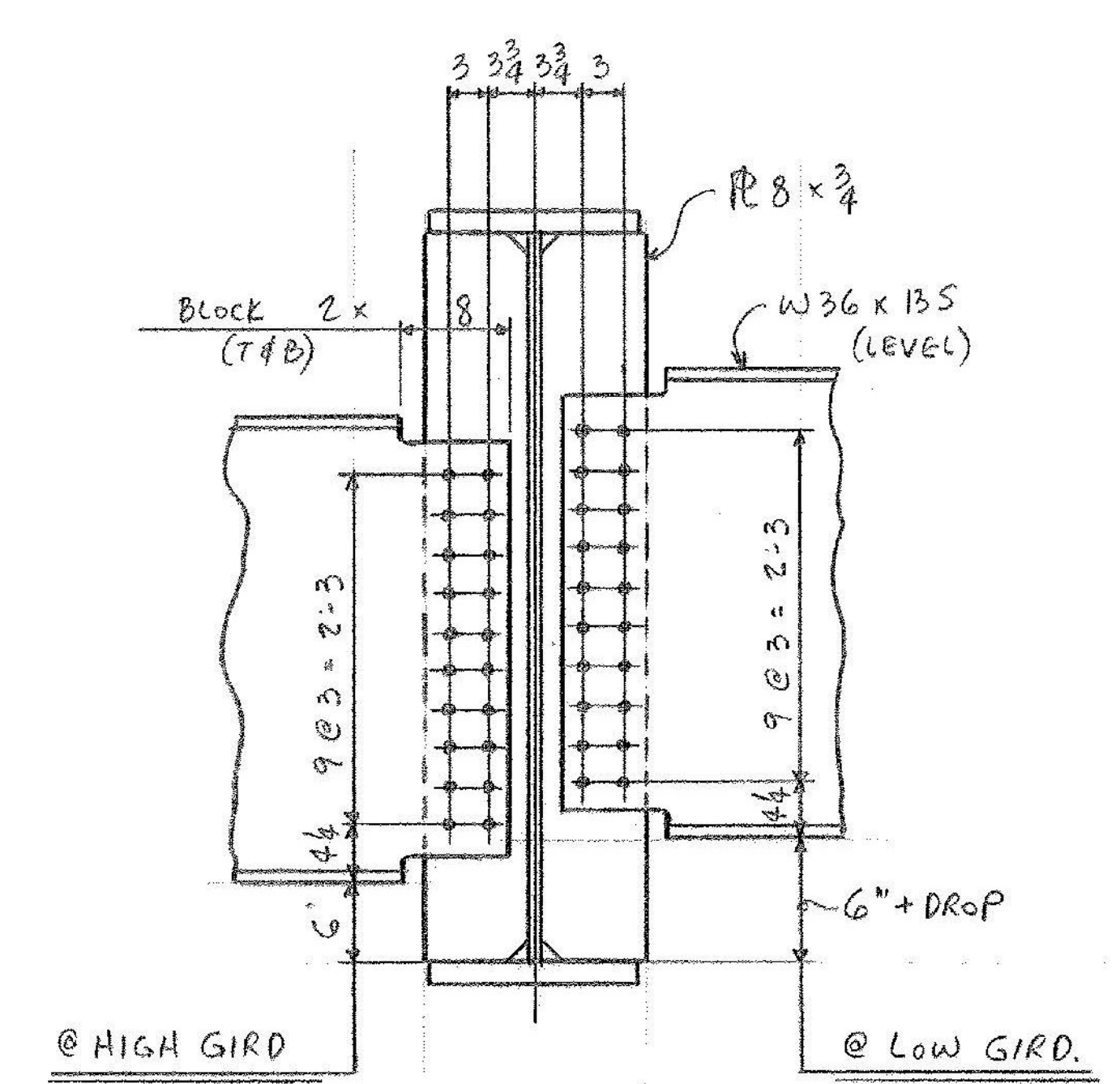
SCUPPER SECTS



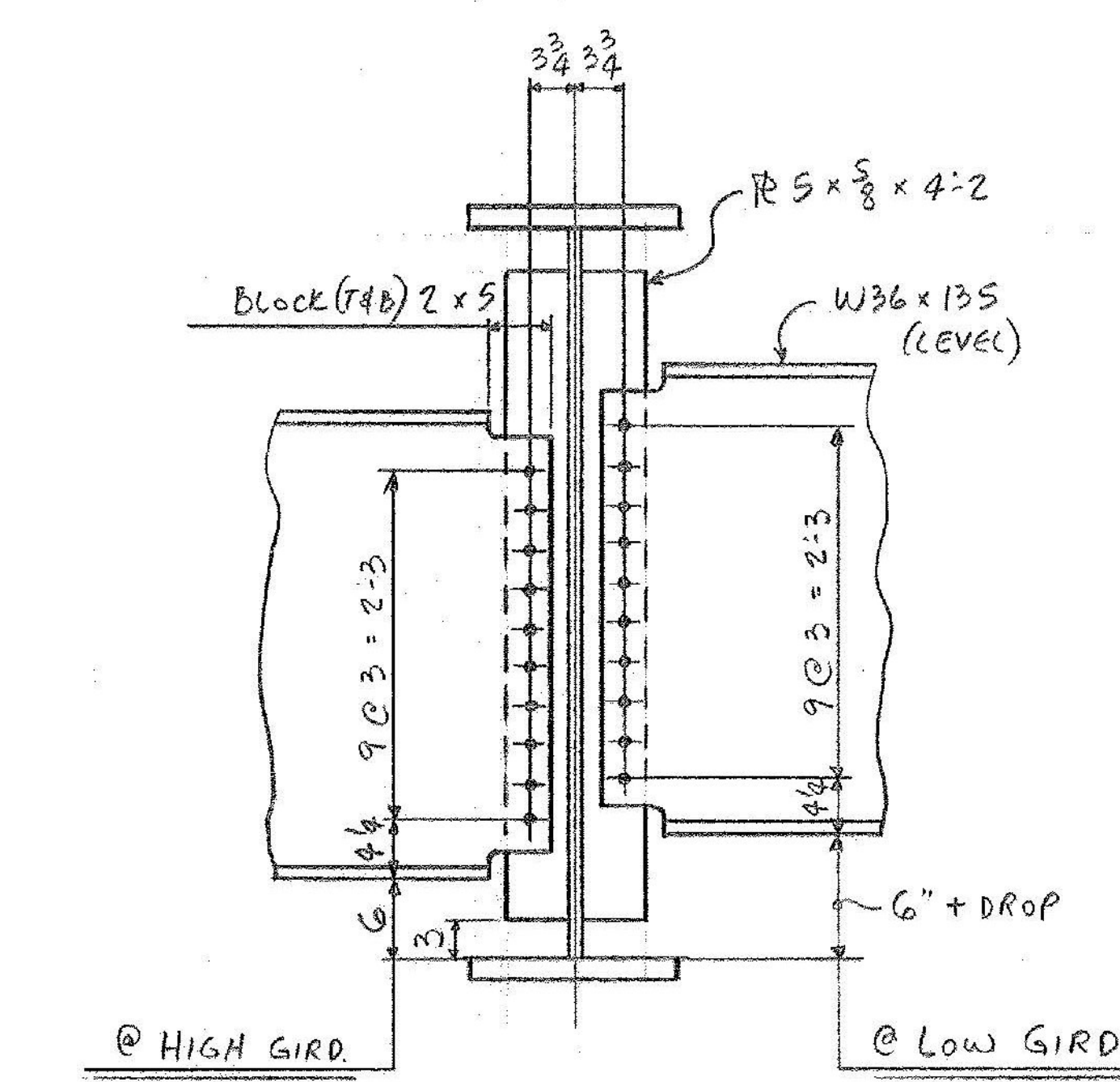
SECT	(X)	FLG
SC1	1-3 5/8	1 3/4
SC2	1-3 1/8	1 1/4
SC3	1-3 3/4	1 3/8
SC4	1-2 1/16	7/8



ABUTMENT DIAPHS



PIER DIAPHS



INT. DIAPHS

IT. NO. 506.91	BR. NO. G	PROJ. NO. F020-1(10)
FOR APPROVAL		FOR FILES & FIELD
EASTBOUND FRAMING PLAN		
APPROVED: 2-1-85	Rancroft & Martin Inc. South Portland, Maine 04106 U.S. 4 OVER OTTER CREEK RUTLAND, VERMONT	
7 12-14-84 APP.		
8 2-26-85 FAB.		
ORIG 3-26-86 VAT		
CUSTOMER: EARTH CONSTRUCTION		
DESIGNER: STATE OF VERMONT AGENCY OF TRANS.		
REV. Δ	ORDER NO.	JOB NO.
CHECKED 11/26/84 FK		
DRAWN 11/21/84 LT		
	4-44	W-2