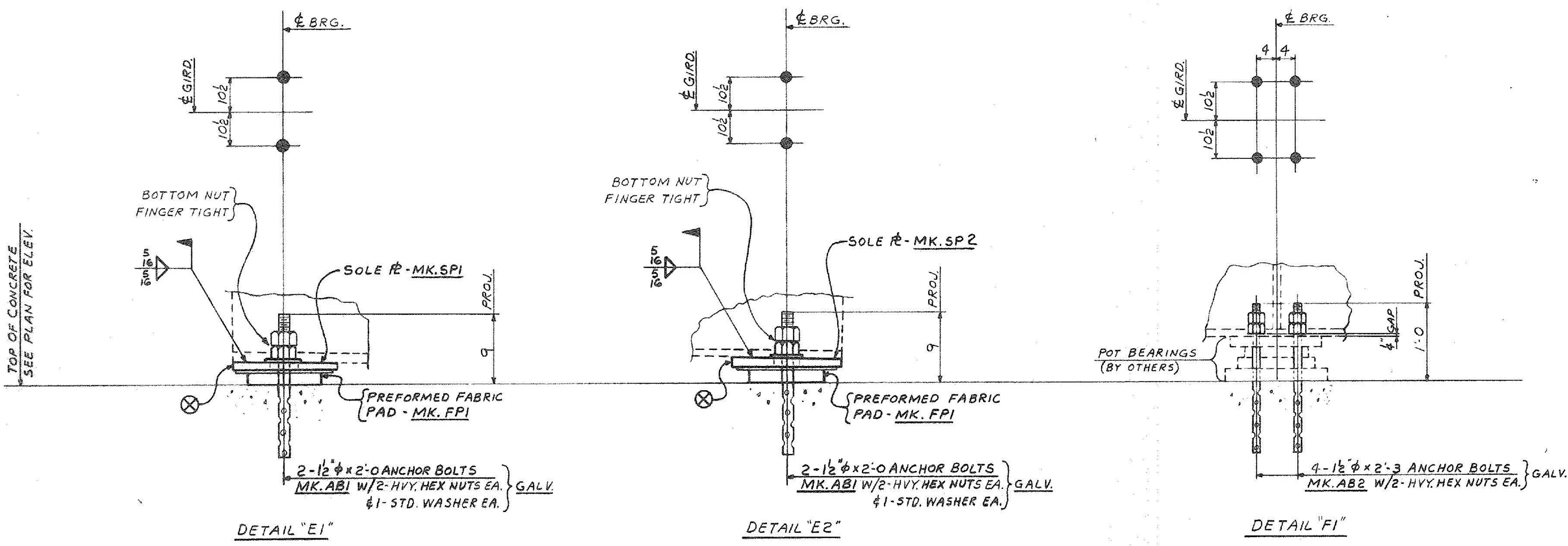


EASTBOUND ANCHOR BOLT PLAN



- NOTES:
1. ALL DIMENSIONS ARE TAKEN IN A HORIZONTAL PLANE.
 2. ALL DIMENSIONS MUST BE STRICTLY ADHERED TO, OTHERWISE STEEL WILL NOT FIT. IN CASE OF ERROR, NOTIFY BANCROFT & MARTIN INC. AT ONCE.
 3. ANCHOR BOLTS ARE FURNISHED BY BANCROFT & MARTIN INC. AND SET BY OTHERS.
 4. SOLE PLATES TO BE POSITIONED AND WELDED IN THE FIELD BEFORE THE DECK POUR.
 5. THICKER EDGE OF BEV. SOLE PLATE IS MARKED ⊗.

IT. NO. 506.99	BR. NO. 6	PROJ. NO. F020-1(10)	
FOR APPROVAL		FOR FILES & FIELD	
ANCHOR BOLT PLAN (EASTBOUND)			
APPROVED: 3-19-84	Bancroft & Martin Inc.		
PRINT DIST.	South Portland, Maine 04106		
7 12-14-84 APP.	JOB: U.S. 4 OVER OTTER CREEK		
8 3-20-84 FAB.	RUTLAND, VERMONT		
N/L - F&F.	CUSTOMER: MASKELL FENCE CO.		
7 3-1-85 APP.	DESIGNER: STATE OF VERMONT AGENCY OF TRANSP.		
ORIG 3-20-86 VAT	ORDER NO.		
	JOB NO.	DRAWING NO.	
		REV.	
REV. Δ	12-12-84 RW	4-48	E-1
CHECKED	11-6-84 RLA		
DRAWN			