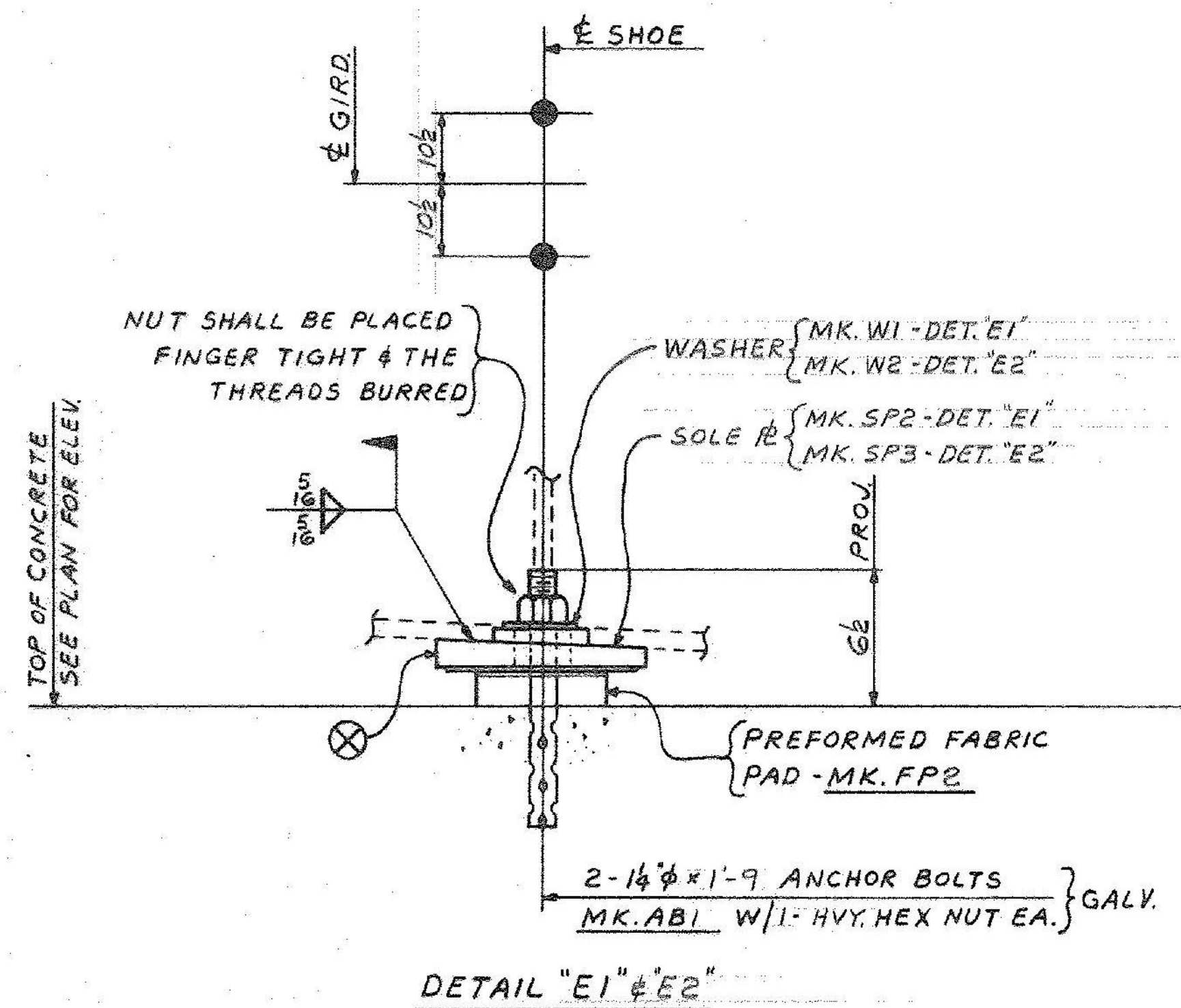
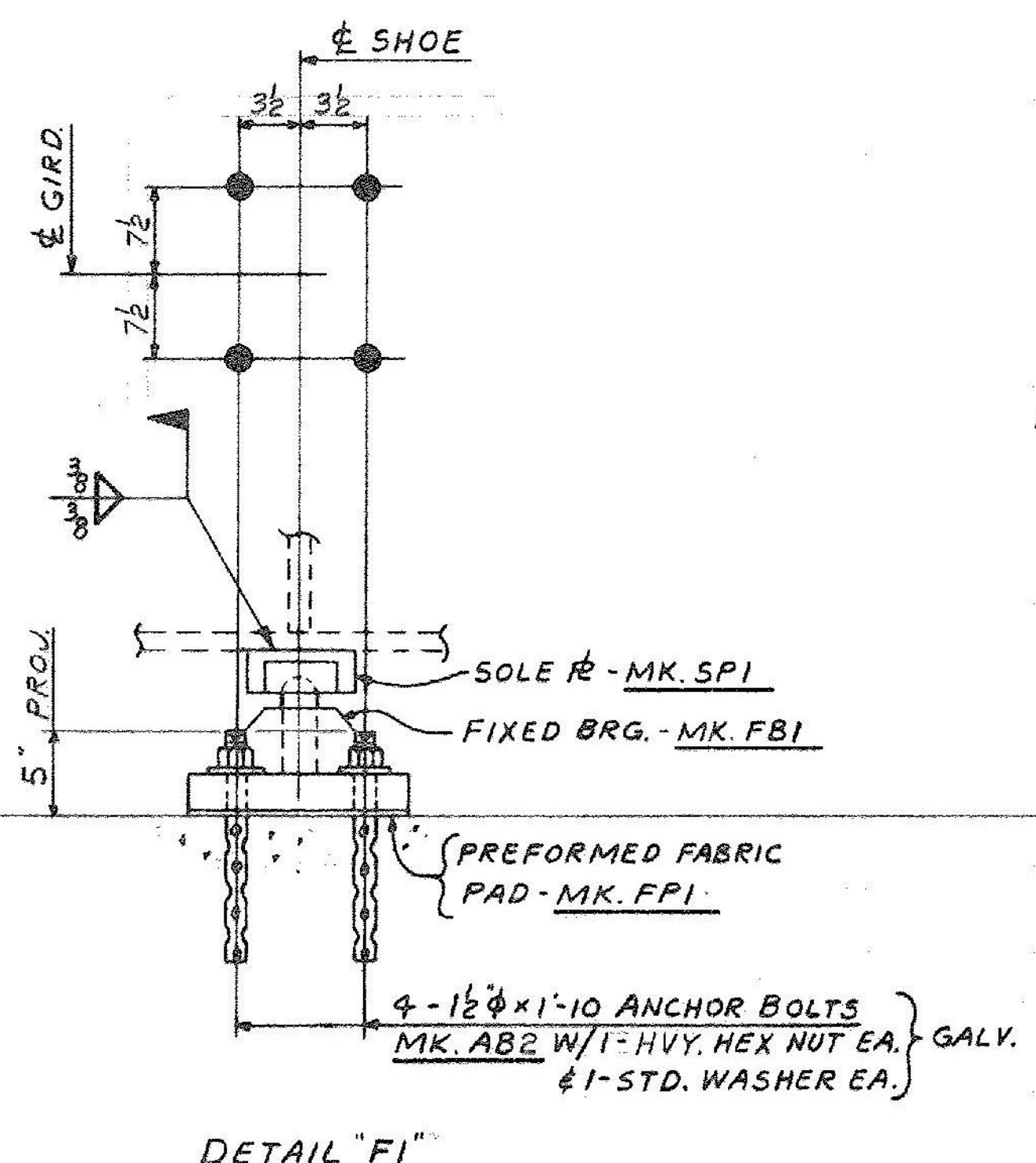


PLACE SOLE PLATES WITH CLIPPED CORNER AS SHOWN HERE (TYP. @ ABUTMENTS)

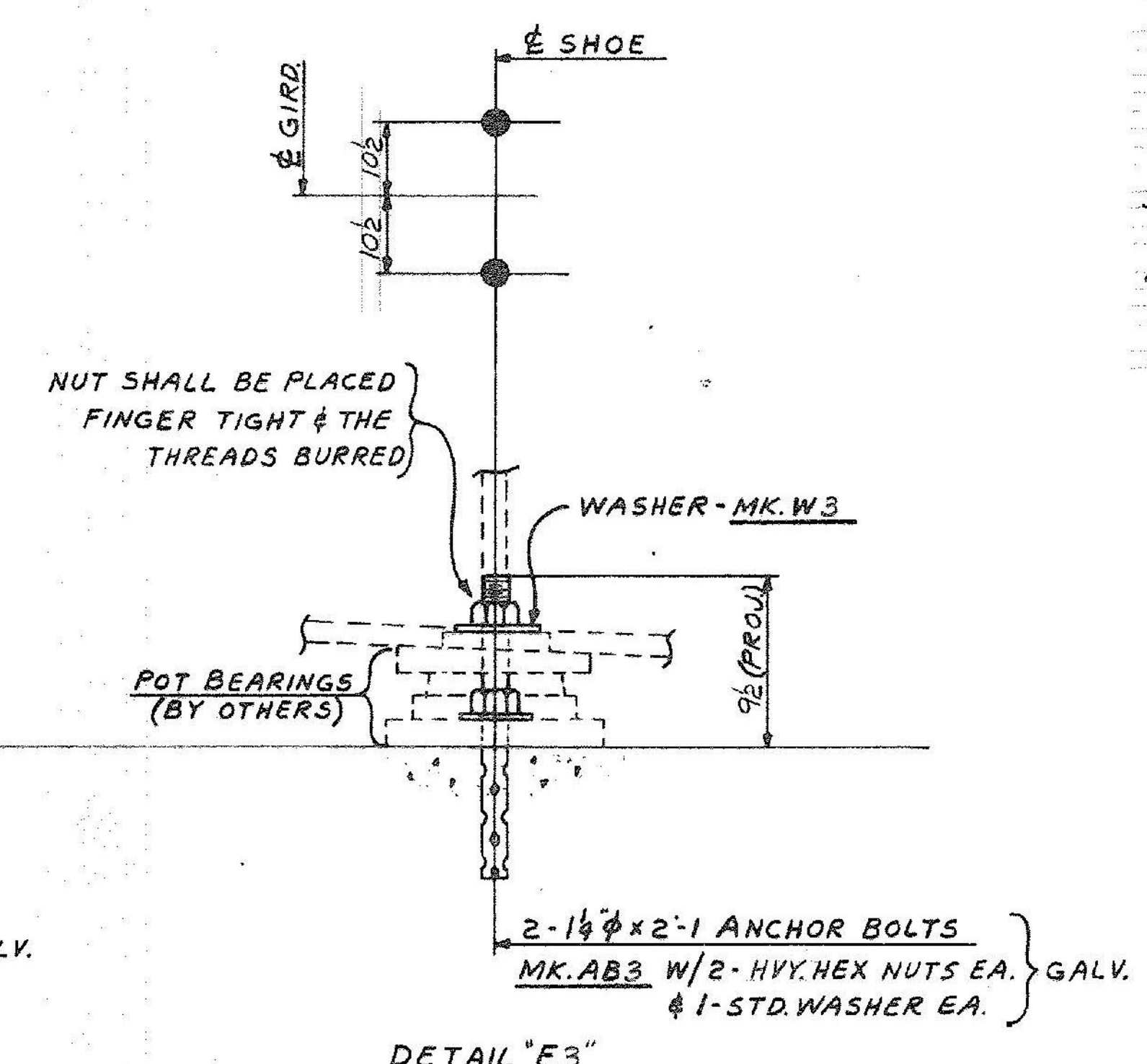
EASTBOUND ANCHOR BOLT PLAN



DETAIL "E1" & "E2"



DETAIL "F1"



DETAIL "E3"

- NOTES:**
1. ALL DIMENSIONS ARE TAKEN IN A HORIZONTAL PLANE.
 2. ALL DIMENSIONS MUST BE STRICTLY ADHERED TO, OTHERWISE STEEL WILL NOT FIT. IN CASE OF ERROR, NOTIFY BANCROFT & MARTIN INC. AT ONCE.
 3. ANCHOR BOLTS ARE FURNISHED BY BANCROFT & MARTIN INC. AND SET BY OTHERS.
 4. SOLE PLATES TO BE POSITIONED AND WELDED IN THE FIELD BEFORE THE DECK POUR.
 5. THICKER EDGE OF BEV. SOLE PLATE IS MARKED: ⊗

IT. NO. 50G. 99	BR. NO. 5	PROJ. NO. F-EGC-F-020-1(10)		
FOR APPROVAL		FOR FILES & FIELD		
ANCHOR BOLT PLAN (EASTBOUND)				
APPROVED: 2-1-85	Bancroft & Martin Inc. South Portland, Maine 04106 JOB: U.S. RTE. 4 E.B. OVER DORR DRIVE RUTLAND, VERMONT CUSTOMER: MASKELL FENCE CO. DESIGNER: STATE OF VERMONT AGENCY OF TRANS.			
7 12-27-84 APP.				
8 2-7-85 FAB.				
ORIG 11-14-85 YAT				
REV. Δ				
CHECKED 12-20-84 R/W	ORDER NO.	JOB NO.	DRAWING NO.	REV.
DRAWN 11-8-84 R/LA		4-50	E-1	Δ