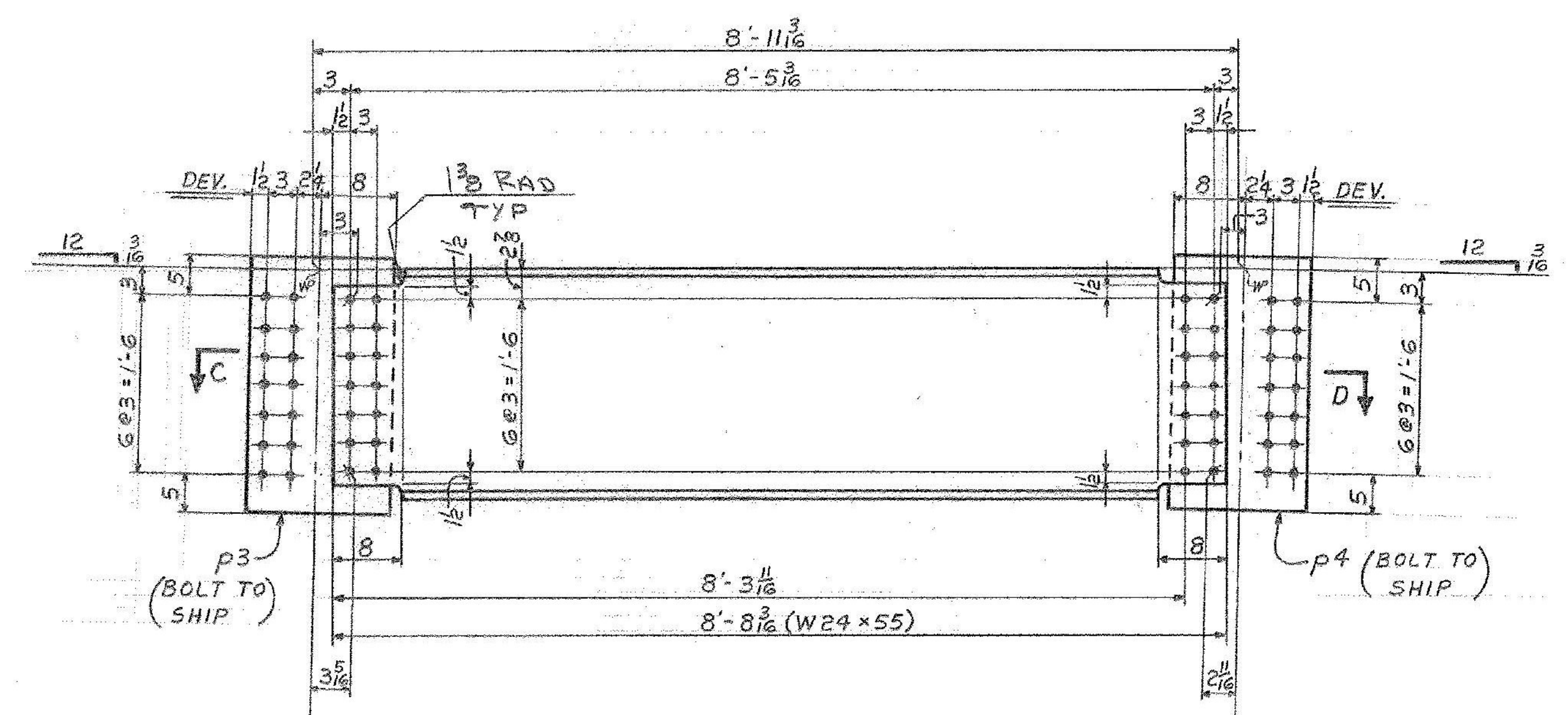


36-DIAPHRAGMS - MK. D1

SECT. B-B

8-DIAPHRAGMS - MK. D4



SECT. C

4-DIAPHRAGMS - MK. D3

SECT. D

SHIP		BILL OF MATERIAL		JOB NO.	DRAWING NO.	REV.	
				4-46	56-1	△	
MARK	NO.	MARK	SHAPE	LENGTH	WPT.	WT	REMARKS
DIAPHRAGMS							
D1	36		W24x55	8	5 1/2	20' 0.031'	2 A 16747
D3	4		W24x55	8	8 3/8	12' 0.031'	2 B 1910
	4	P3	R 1/2 x 28	1	2 3/4	1.0	2 C 234 BENT
	4	P4	R 1/2 x 28	1	2 3/4	1.0	2 C 234 BENT
D4	8		W24x55	8	8 3/8	12' 0.031'	2 B 3820
	8	P1	R 1/2 x 28	1	2 3/4	1.0	2 C 453 BENT
	8	P2	R 1/2 x 28	1	2 3/4	1.0	2 C 453 BENT
							23 8571 #

IT. NO. 506.91 BR. NO. 5 PROJ. NO. F-EGC-F-020-1(10)

**FOR APPROVAL** | **FOR FILES & FIELD**

STEEL: ASTM.  A58  A572 GR1  A588 IGF1  Unless Noted

WELDING ELECTRODE:  E70  See Welding Proc.  None

SHOP CONN:  Bolted  Welded  None

FIELD CONN:  Bolted  Welded  None

HOLES:  13/16  15/16  Unless Noted  None

PAINT:  None  Shopcoat  Galv. After Fab.  As Noted

SPECIAL PAINT: NONE

SPECIAL CLEANING:  Blast Clean  None  SSPC-SP6

**DIAPHRAGMS (EASTBOUND BRIDGE)**

APPROVED: 2-1-B5  
 PRINT DIST. 7 12-17-84 APP.  
 8 2-1-B5 FAB.  
 ORG. 11-19-85 V.A.T.

**Bancroft & Martin Inc.**  
 South Portland, Maine 04106

JOB: U.S. RTE. 4 E.B. OVER DORR DRIVE  
 RUTLAND, VERMONT

CUSTOMER: MASKELL FENCE CO.  
 DESIGNER: STATE OF VERMONT AGENCY OF TRANS.

REV. △  
 CHECKED 12-20-84 RLH  
 DRAWN 11-15-84 RLA

ORDER NO. JOB NO. DRAWING NO. REV.  
 4-46 56-1 △

ALL CONNECTIONS DETAILED ON THIS DRAWING REPRESENT BANCROFT & MARTIN INC. STANDARDS. IN APPROVING THIS DRAWING FOR FABRICATION, THE ARCHITECT AND/OR ENGINEER ASSUMES THE RESPONSIBILITY FOR THE STRUCTURAL INTEGRITY OF ALL CONNECTIONS SHOWN.