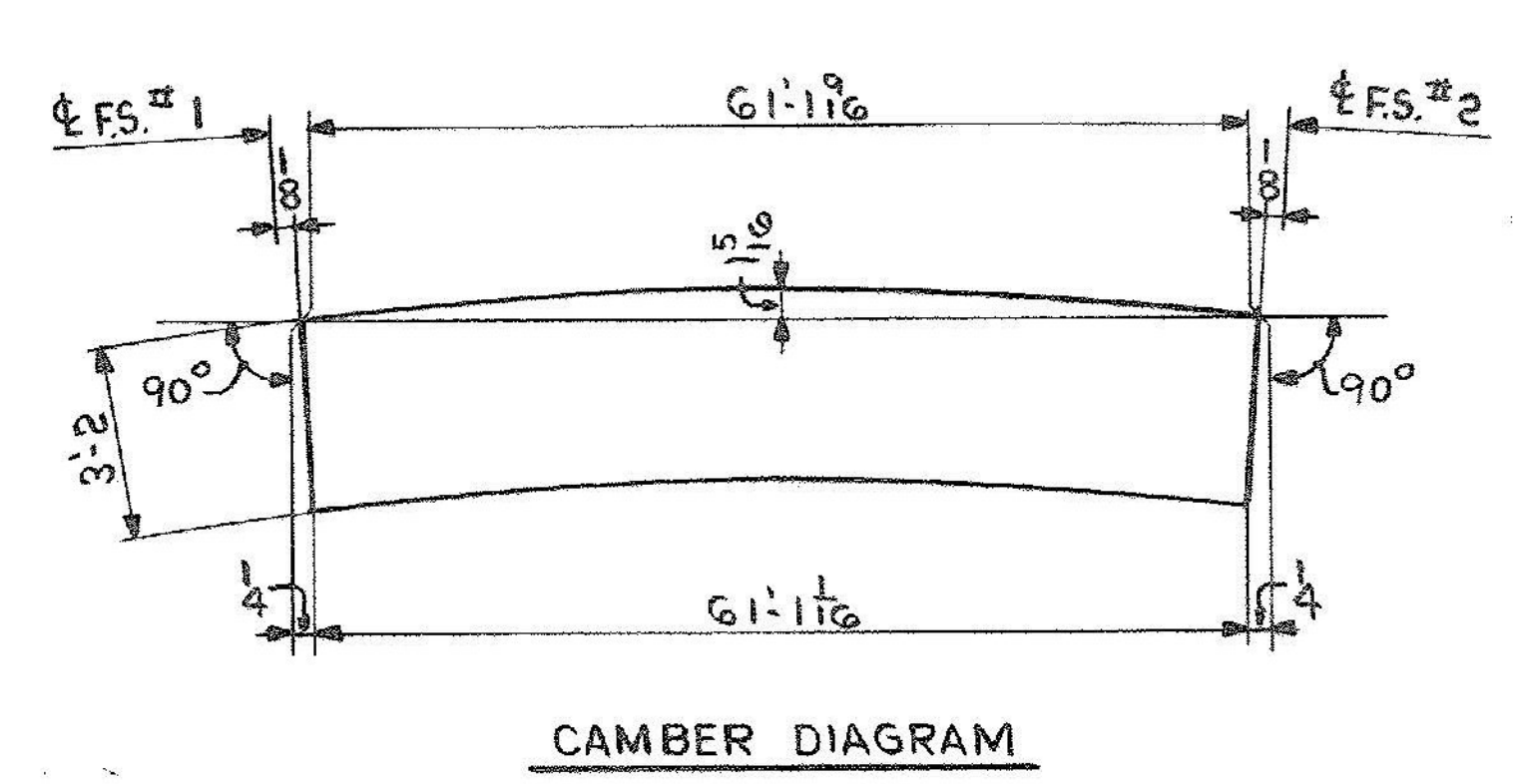
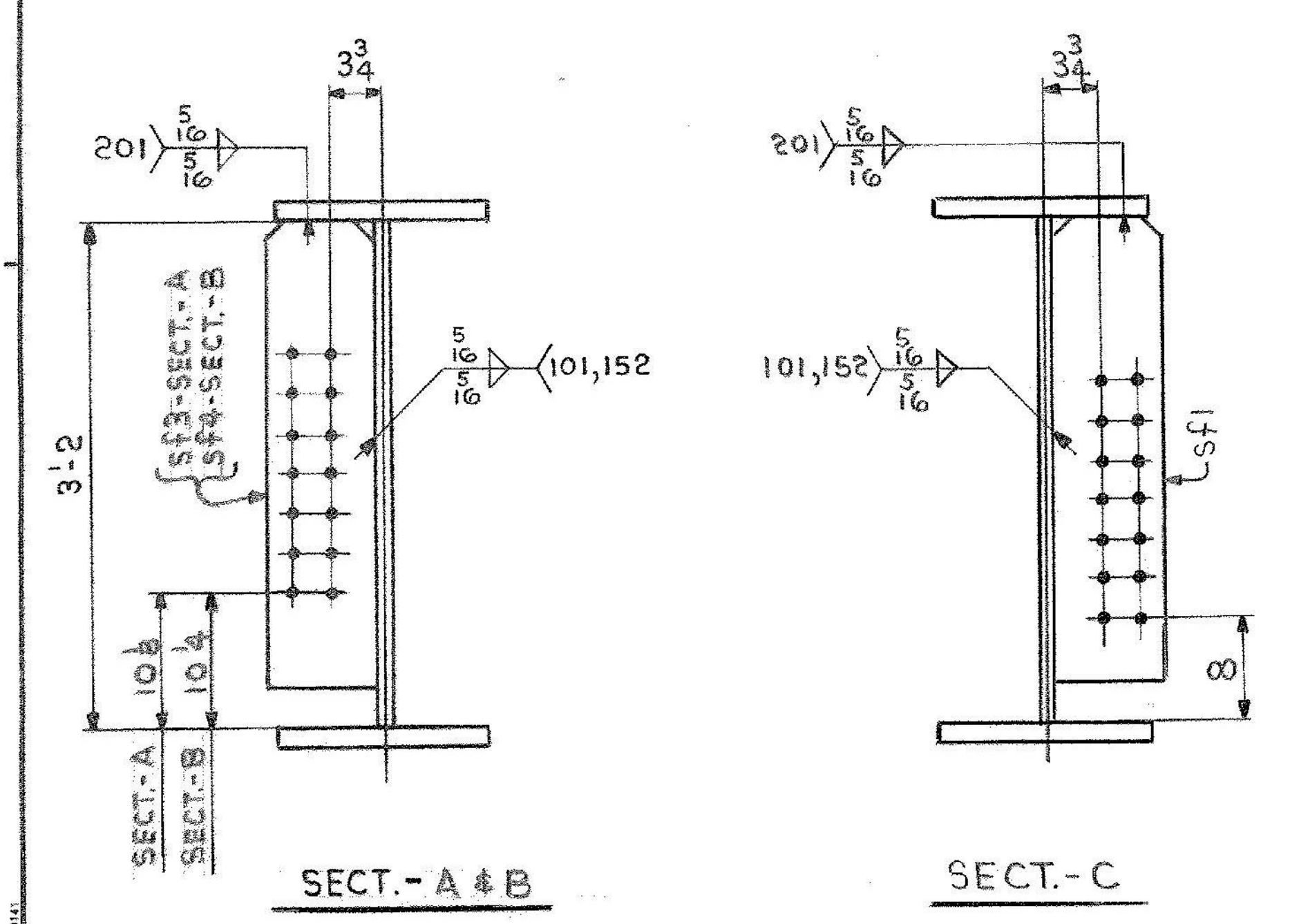


ONE-GIRDER - G2B  
 ONE-GIRDER - G3B  
 ONE-GIRDER - G4B

ALIKE UNTIL REAMED

FOR GIRDER STANDARD DETAILS SEE DWG. 52-2.  
 FOR WEB & FLG. & CUTTING & ASSEMBLY SEE DWG. 52-1.



SHIP		BILL OF MATERIAL				JOB NO.	DRAWING NO.	REV.
						4-46	52-7	△
MARK	NO.	MARK	SHAPE	LENGTH	WTF.	ITEM NO.	WT	REMARKS
G2B	ONE		GIRDER					
G3B	ONE		GIRDER					
G4B	ONE		GIRDER					
	3	wpl	R 1/2 x 39 5/16	61 1 1/16	3/8 x 1/4	1/B11852		CVN
	3	tf1	R 3/8 x 16	61 1 1/16	3/8 x 1/4	1/G3737		CVN
	3	bf1	R 1 1/8 x 16	61 1 1/16	3/8 x 1/4	1/H11225		CVN
	12	sp1	R 3/8 x 36 1/2	1 7 1/2	3/8 x 3/16	1/L908		CVN
	12	sp2	R 1/2 x 16	2 1 1/2	1/2	1/M694		CVN
	24	sp3	R 1/2 x 7	2 1 1/2	1/2	1/N607		CVN
	6	fp1	R 4 x 16	1 0 3/8	3/8 x 3/16	1/O86		CVN
	6	sf1	R 1/2 x 8	2 1 1/2	1/2	1/G238		CVN
	3	sf3	R 1/2 x 8	2 1 1/2	1/2	1/G119		CVN
	3	sf4	R 1/2 x 8	2 1 1/2	1/2	1/G119		CVN
							34.585	# SHIPPING WEIGHT
* PAY WEIGHT								
	12		R 3/8 x 36	1 6 1/4			838	
	12		R 1/2 x 16	2 0 1/4			660	
	24		R 1/2 x 7	2 0 1/4			578	
							34.366	# PAY WEIGHT
IT. NO. 506.91		BR. NO. 5		PROJ. NO. F-EGG-F-020-1(10)				
<b>FOR APPROVAL</b>				<b>FOR FILES &amp; FIELD</b>				
STEEL: ASTM. <input type="checkbox"/> A36 <input type="checkbox"/> A572 GR1 <input checked="" type="checkbox"/> A588 GR1 <input type="checkbox"/> Unless Noted								
WELDING ELECTRODE: <input type="checkbox"/> E70 <input checked="" type="checkbox"/> See Welding Proc. <input type="checkbox"/> None								
SHOP CONN: <input type="checkbox"/> Bolted <input checked="" type="checkbox"/> Welded <input type="checkbox"/> None								
FIELD CONN: <input checked="" type="checkbox"/> Bolted <input checked="" type="checkbox"/> Welded <input type="checkbox"/> None								
HOLES: <input type="checkbox"/> 13/16 <input checked="" type="checkbox"/> 15/16 <input type="checkbox"/> Unless Noted <input type="checkbox"/> None								
PAINT: <input checked="" type="checkbox"/> None <input type="checkbox"/> Shopcoat <input type="checkbox"/> Galv. After Fab. <input type="checkbox"/> As Noted								
SPECIAL PAINT: NONE								
SPECIAL CLEANING: <input checked="" type="checkbox"/> Blast Clean <input type="checkbox"/> None <input type="checkbox"/> SSPC-SP6								
<b>GIRDERS - G2B, G3B &amp; G4B</b>								
APPROVED: 2-1-85		 Bancroft & Martin Inc. South Portland, Maine 04106						
PRINT DIST.								
7	12-27-84							
8	2-11-85							
JOB: U.S. ROUTE 4 E.B. OVER DORR DRIVE RUTLAND, VERMONT								
CUSTOMER: MASKELL FENCE CO.								
DESIGNER: STATE OF VERMONT, AGENCY OF TRANS.								
REV. △	ORDER NO.	JOB NO.	DRAWING NO.	REV.				
CHECKED DRAWN	RW DW	11-20-84	4-46 52-7	△				