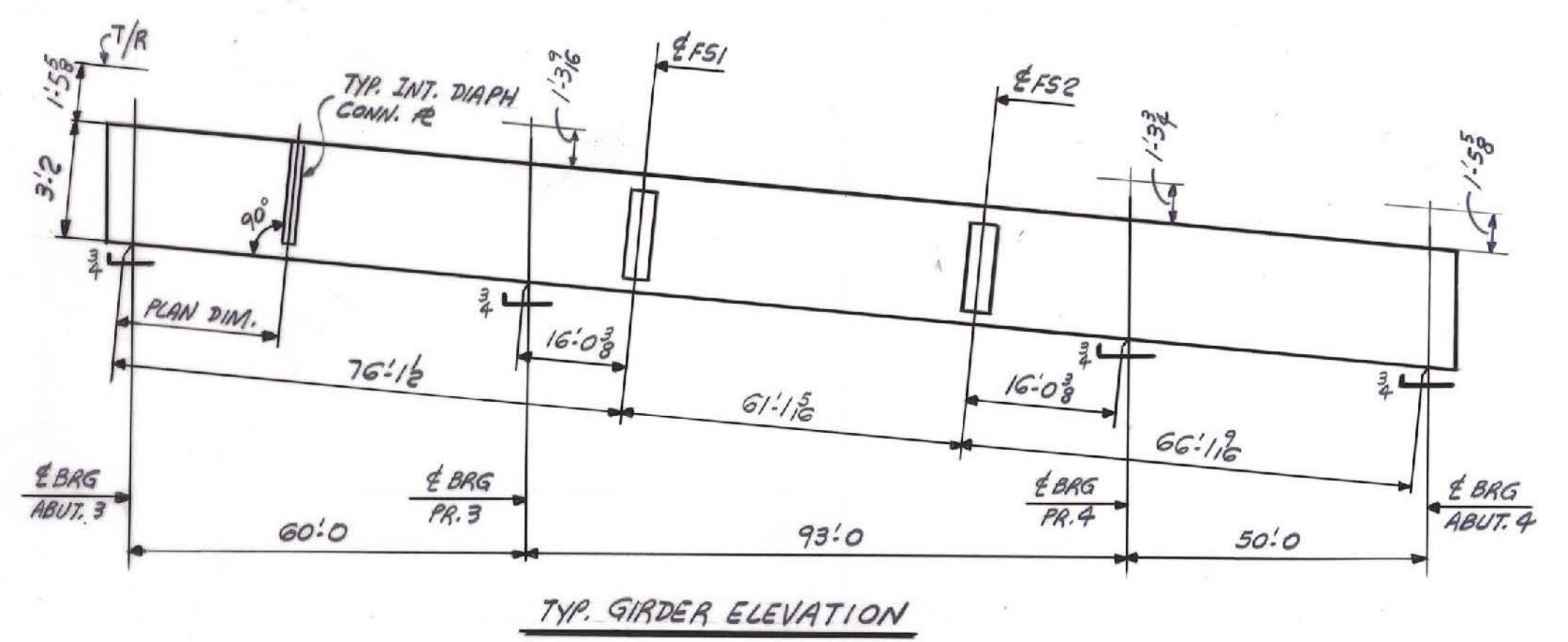


EASTBOUND FRAMING PLAN



TYP. GIRDER ELEVATION

FOR NOTES & LAYOUTS SEE SH1, W1 (CONT. 4-45)

IT. NO. 506.91	BR. NO. 5	PROJ. NO. F-EGC-F-020-1(10)		
FOR APPROVAL		FOR FILES & FIELD		
CALCULATION PLAN (EASTBOUND)				
APPROVED: 2-1-85	<i>Bancroft & Martin Inc.</i> South Portland, Maine 04106 JOB: U.S. RTE. 4 E.B. OVER DORR DRIVE RUTLAND, VERMONT CUSTOMER: MASKELL FENCE CO. DESIGNER: STATE OF VERMONT AGENCY OF TRANS.			
PRINT DIST.				
7 12-27-84 APP.				
8 2-11-85 FAB.				
ORIG 11-14-85 VAT				
REV. Δ	ORDER NO.	JOB NO.	DRAWING NO.	REV.
CHECKED 11/8/84 LT			4-46	W1
DRAWN 11-6-84 FK				

BASIC 7-12
201-344

957-01