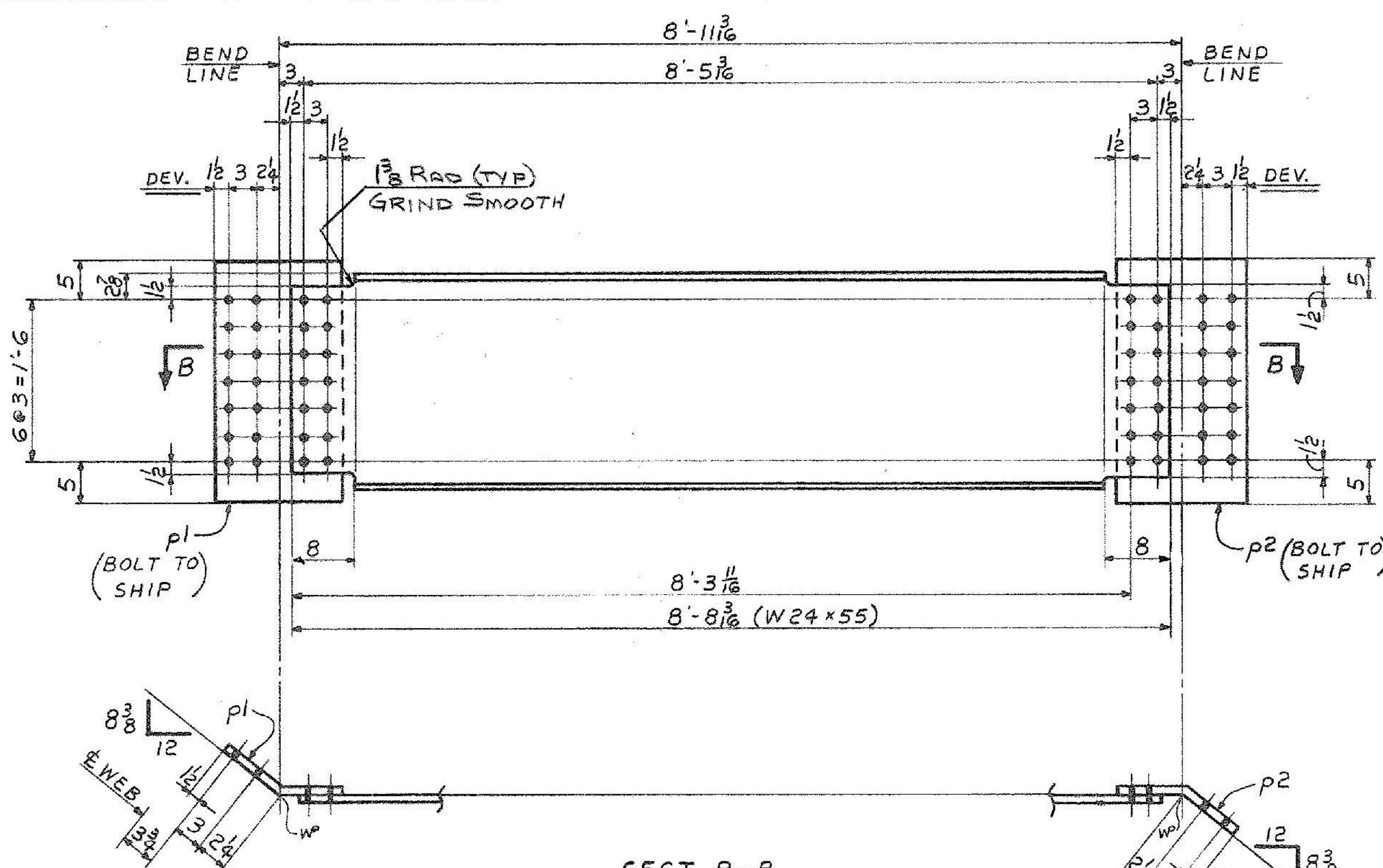
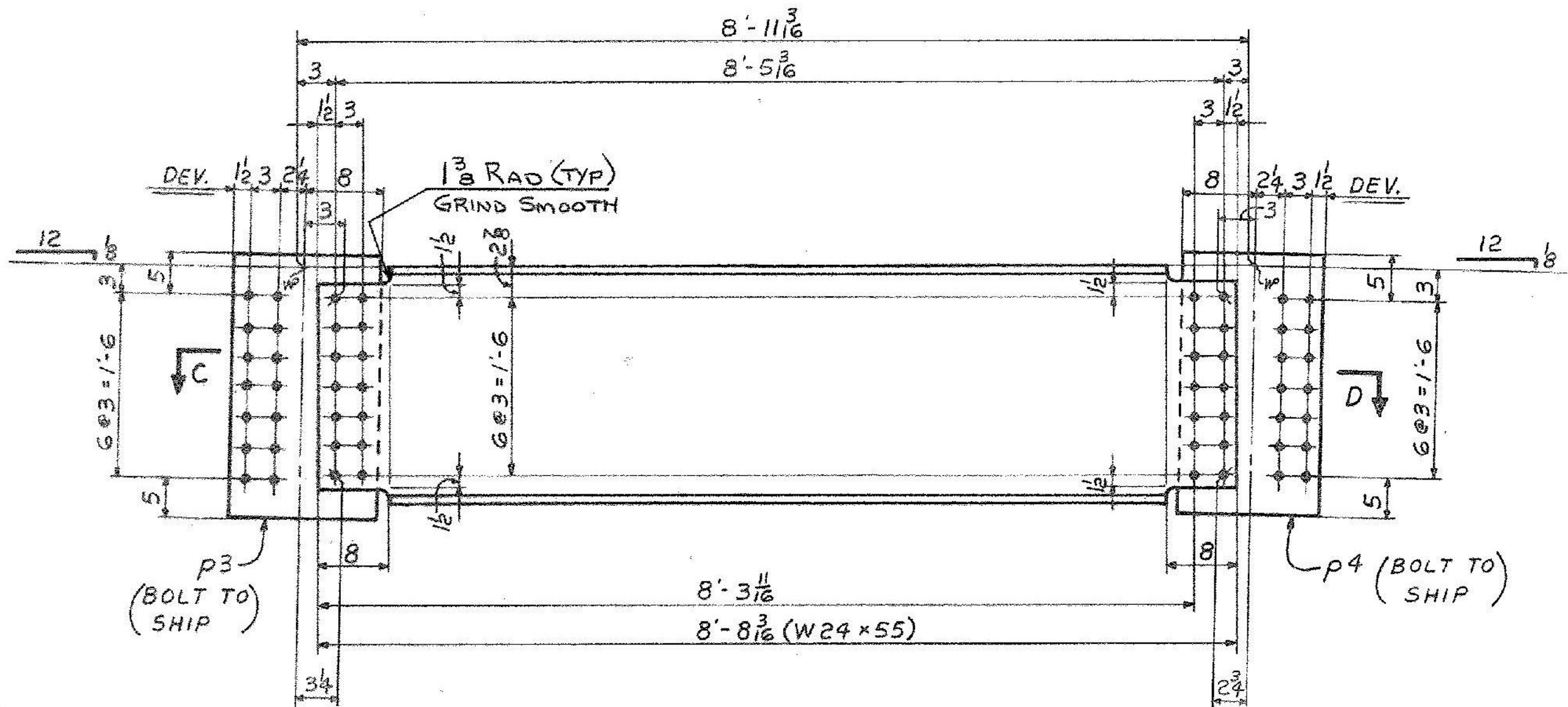


44-DIAPHRAGMS ~ MK. D1



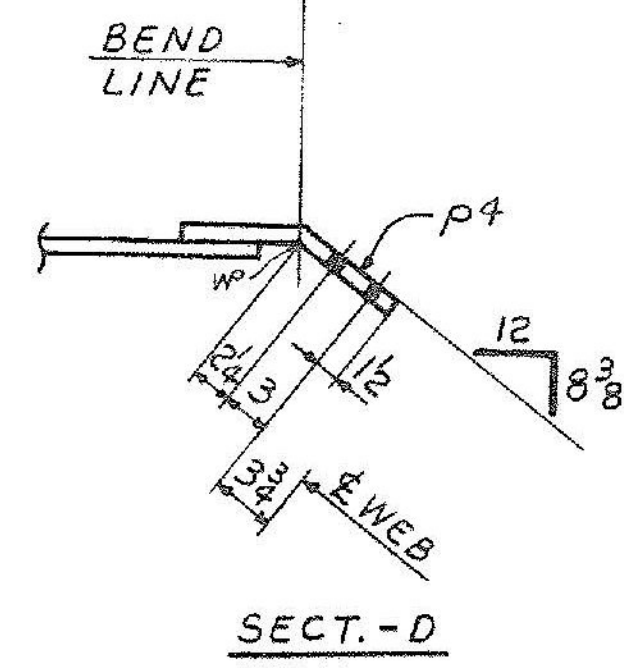
SECT. B-B

8-DIAPHRAGMS ~ MK. D4



SECT.-C

4-DIAPHRAGMS ~ MK. D3



SECT.-D

SHIP		BILL OF MATERIAL				JOB NO.	DRAWING NO.	REV.
						4-45	56-1	△
MARK	NO.	MARK	SHAPE	LENGTH	WT.	ITEM NO.	WT.	REMARKS
DIAPHRAGMS								
D1	44		W24x55	8	5 1/2	200-03-074 12-35-3 AL-50 G.T.S. 4-16-84 RB	2	E 2049
D3	4		W24x55	8	8 3/16		2	F 1910
	4	p3	R 1/2 x 28	1	2 3/4	20-30 X 1 1/4	3	C 234 BENT
	4	p4	R 1/2 x 28	1	2 3/4	20-30 X 1 1/4	3	C 234 BENT
D4	8		W24x55	8	8 3/16	500 ABOVE	2	F 3820
	8	p1	R 1/2 x 28	1	2 3/4	500 ABOVE	3	C 453 BENT
	8	p2	R 1/2 x 28	1	2 3/4	500 ABOVE	3	C 453 BENT
2757 3/8 #								

IT. NO. 506.91 BR. NO. 5 PROJ. NO. F-EGC-F-020-1(10)

FOR APPROVAL		FOR FILES & FIELD	
STEEL: ASTM	<input type="checkbox"/> A36 <input type="checkbox"/> A572 GR <input checked="" type="checkbox"/> A588 GR <input type="checkbox"/> Unless Noted		
WELDING ELECTRODE:	<input type="checkbox"/> E70 <input type="checkbox"/> See Welding Proc. <input checked="" type="checkbox"/> None		
SHOP CONN:	<input type="checkbox"/> Bolted <input type="checkbox"/> Welded <input checked="" type="checkbox"/> None		
FIELD CONN:	<input checked="" type="checkbox"/> Bolted <input type="checkbox"/> Welded <input type="checkbox"/> None		
HOLES:	<input type="checkbox"/> 13/16 <input checked="" type="checkbox"/> 15/16 <input type="checkbox"/> Unless Noted <input type="checkbox"/> None		
PAINT:	<input checked="" type="checkbox"/> None <input type="checkbox"/> Shopcoat <input type="checkbox"/> Galv. After Fab. <input type="checkbox"/> As Noted		
SPECIAL PAINT:	NONE		
SPECIAL CLEANING:	<input checked="" type="checkbox"/> Blast Clean <input type="checkbox"/> None <input type="checkbox"/> SSPC-SP6		

DIAPHRAGMS (WESTBOUND BRIDGE)			
APPROVED: 2-1-85	Bancroft & Martin Inc. South Portland, Maine 04106 JOB: U.S. RTE. 4 W.B. OVER DORR DRIVE RUTLAND, VERMONT CUSTOMER: MASKELL FENCE CO. DESIGNER: STATE OF VERMONT AGENCY OF TRANS.		
PRINT DIST.			
7 12-27-84 APP.			
8 2-6-85 FAB.			
ORIG 3-26-86 VAT			
REV. △	ORDER NO.	JOB NO.	DRAWING NO.
CHECKED 12-21-84 RW		4-45	56-1
DRAWN 11-15-84 RLA			

ALL CONNECTIONS DETAILED ON THIS DRAWING REPRESENT BANCROFT & MARTIN INC. STANDARDS IN APPROVING THIS DRAWING FOR FABRICATION. THE ARCHITECT AND/OR ENGINEER ASSUMES THE RESPONSIBILITY FOR THE STRUCTURAL INTEGRITY OF ALL CONNECTIONS SHOWN.