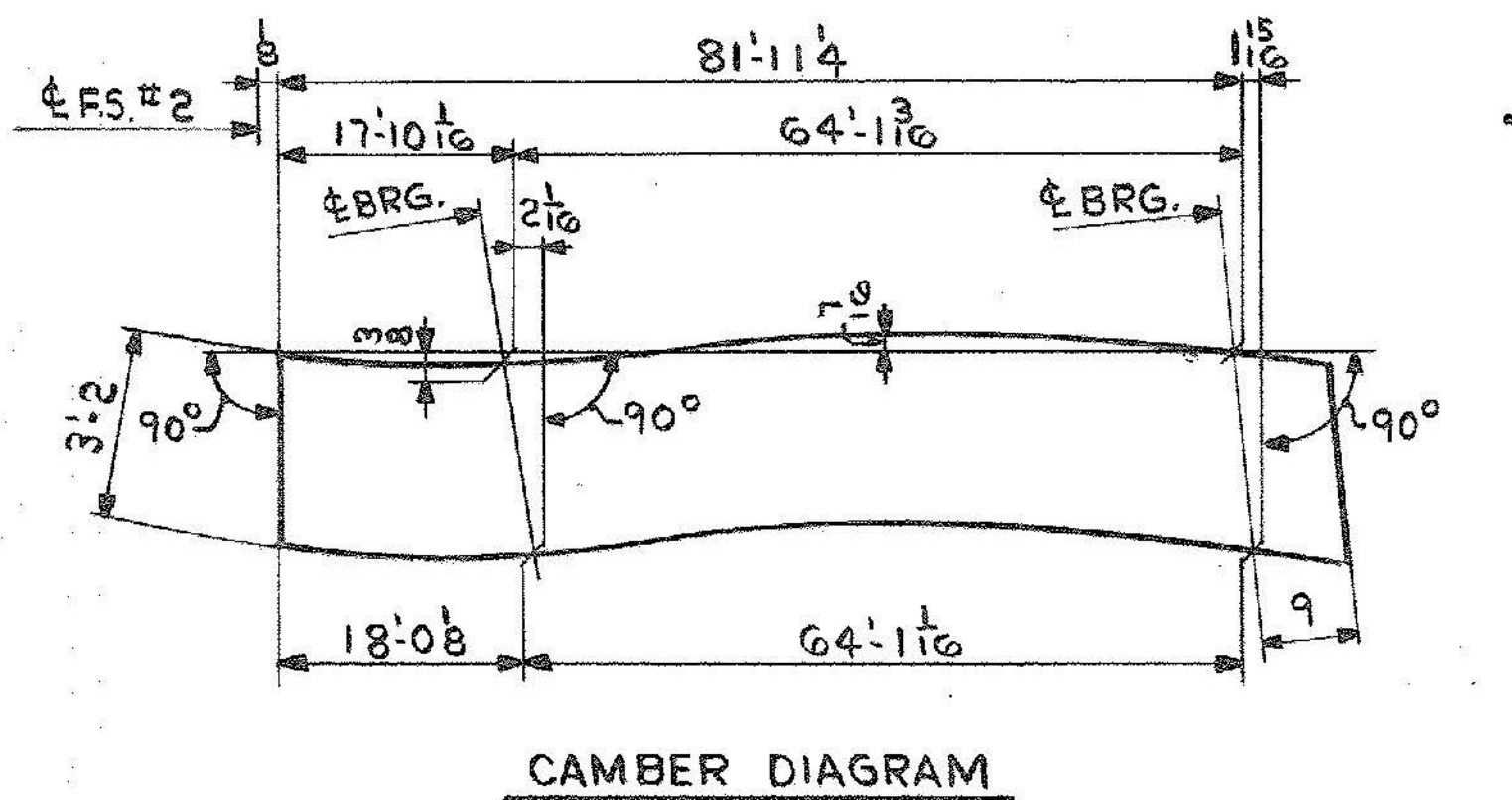
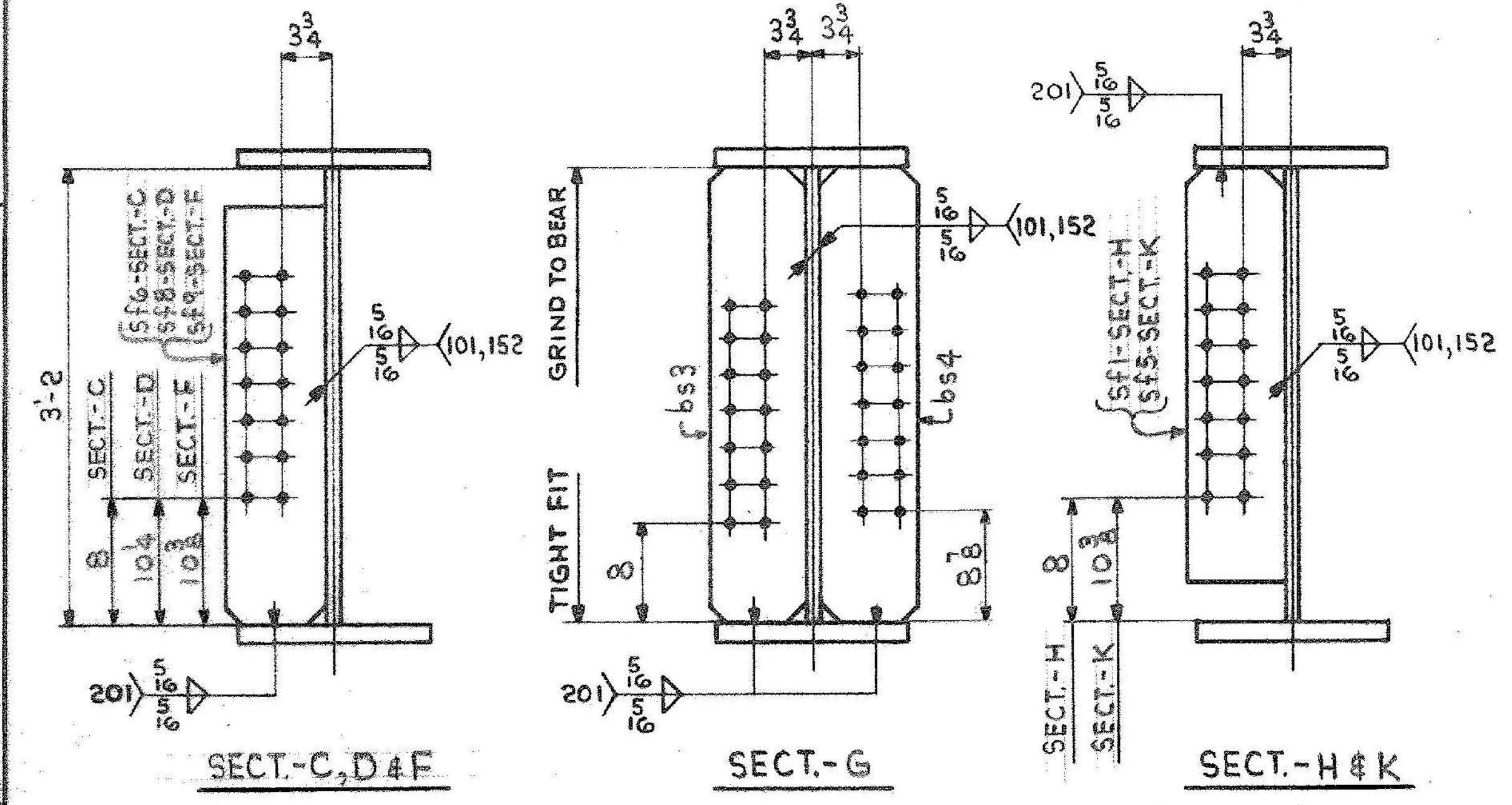
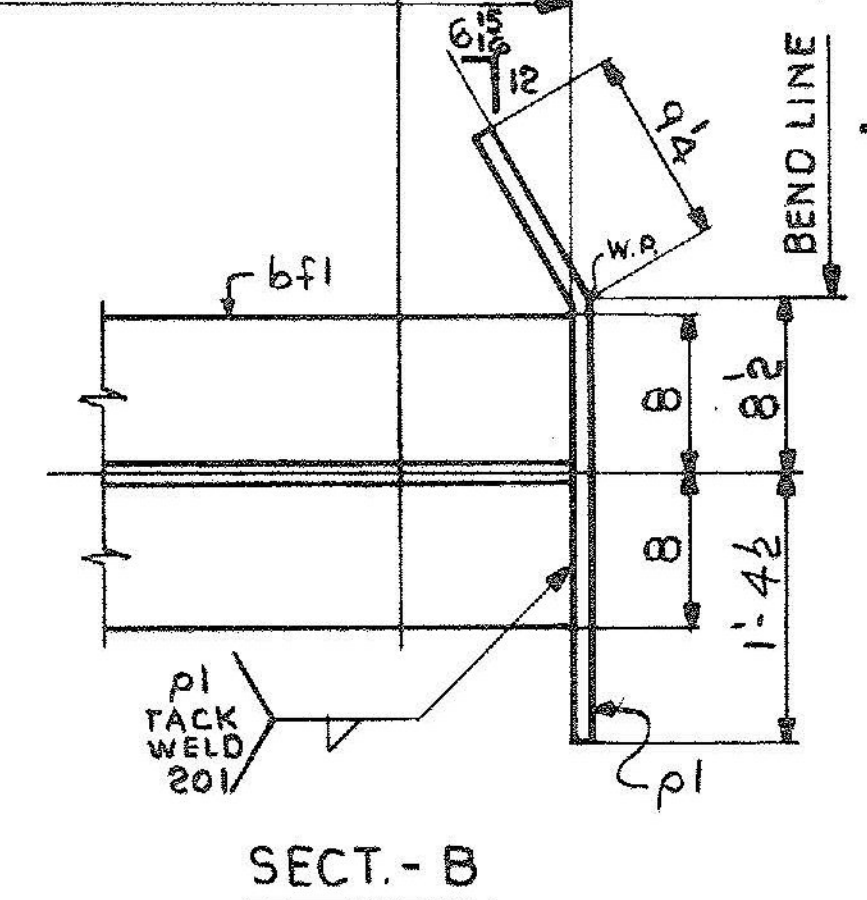


ONE-GIRDER-G2C
 ONE-GIRDER-G3C
 ONE-GIRDER-G4C

ALIKE UNTIL REAMED

FOR GIRDER STANDARD DETAILS SEE DWG. 52-2.
 FOR WEB & FLG. R CUTTING & ASSEMBLY SEE DWG. 52-1.



SHIP		BILL OF MATERIAL		JOB NO.	DRAWING NO.	REV.
G2C	ONE	GIRDER		4-45	52-10	△
G3C	ONE	GIRDER				
G4C	ONE	GIRDER				
	3	WPI	R 1/2 x 38 13/16	82 10 3/16		16054 CVN
	3	tfl	R 1 3/8 x 16	82 8 4		16038 CVN
	3	bfl	R 1 1/8 x 16	82 10 3/16		16069 CVN
	3	bs3	R 3/4 x 8	3 2		194
	3	bs4	R 3/4 x 8	3 2		194
	6	sf1	R 1/2 x 8	2 11		238
	6	sf5	R 1/2 x 8	2 11		238
	6	sf6	R 1/2 x 8	2 11		238
	3	sf8	R 1/2 x 8	2 11		119
	3	sf9	R 1/2 x 8	2 11		119
	3	p1	R 1/4 x 8 3/4	2 10 1/4		64 BENT
* PAY WEIGHT						
	6		R 1 1/8 x 16	12 0		4655
	3		R 1/2 x 16	70 8 4		10102
	3		R 1/8 x 16	70 10 3/16		10125
* PAY WEIGHT						
						42340 #

IT. NO. 506.91 BR. NO. 5 PROJ. NO. F-EGC-F-020-1(10)

FOR APPROVAL **FOR FILES & FIELD**

STEEL: ASTM A36 A572 GRI A588 GR (Unless Noted)

WELDING ELECTRODE: E70 See Welding Proc. None

SHOP CONN: Bolted Welded None

FIELD CONN: Bolted Welded None

HOLES: 13/16 15/16 (Unless Noted) None

PAINT: None Shopcoat Galv. Aft. Fab. As Noted

SPECIAL PAINT: NONE

SPECIAL CLEANING: Blast Clean None SSPC-SP6

GIRDERS-G2C, G3C & G4C

APPROVED: 2-1-85
 PRINT DIST.
 7 12-27-84 APP.
 8 2-6-85 FAB.
 ORIG 2-26-86 VAT

Bancroft & Martin Inc.
 South Portland, Maine 04106

JOB: U.S. ROUTE 4 W.B. OVER DORR DRIVE
 RUTLAND, VERMONT

CUSTOMER: MASKELL FENCE CO.
 DESIGNER: STATE OF VERMONT, AGENCY OF TRANS.

REV. △		ORDER NO.	JOB NO.	DRAWING NO.	REV.
CHECKED	RW	12-27-84	4-45	52-10	△
DRAWN	DW	11-19-81			