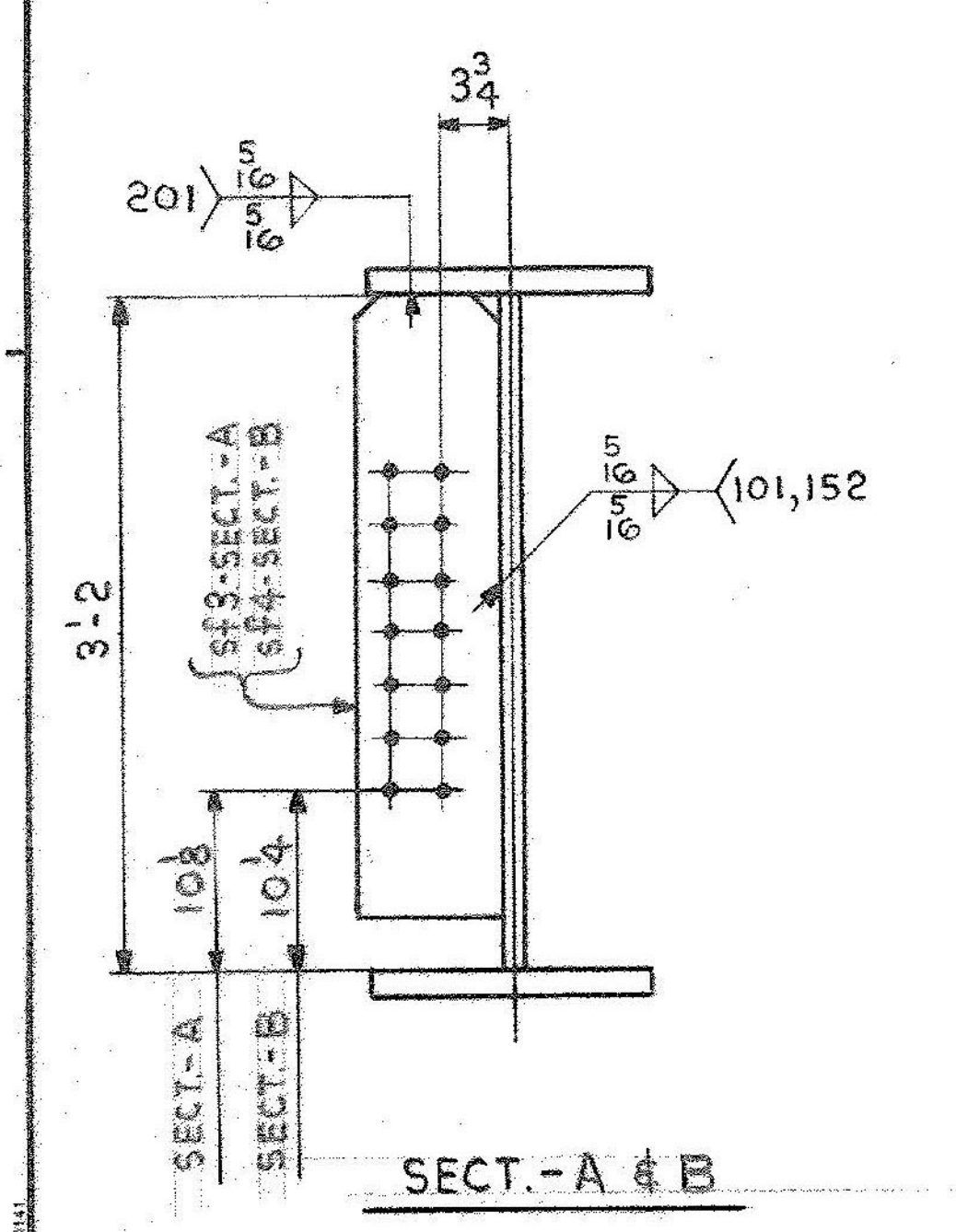
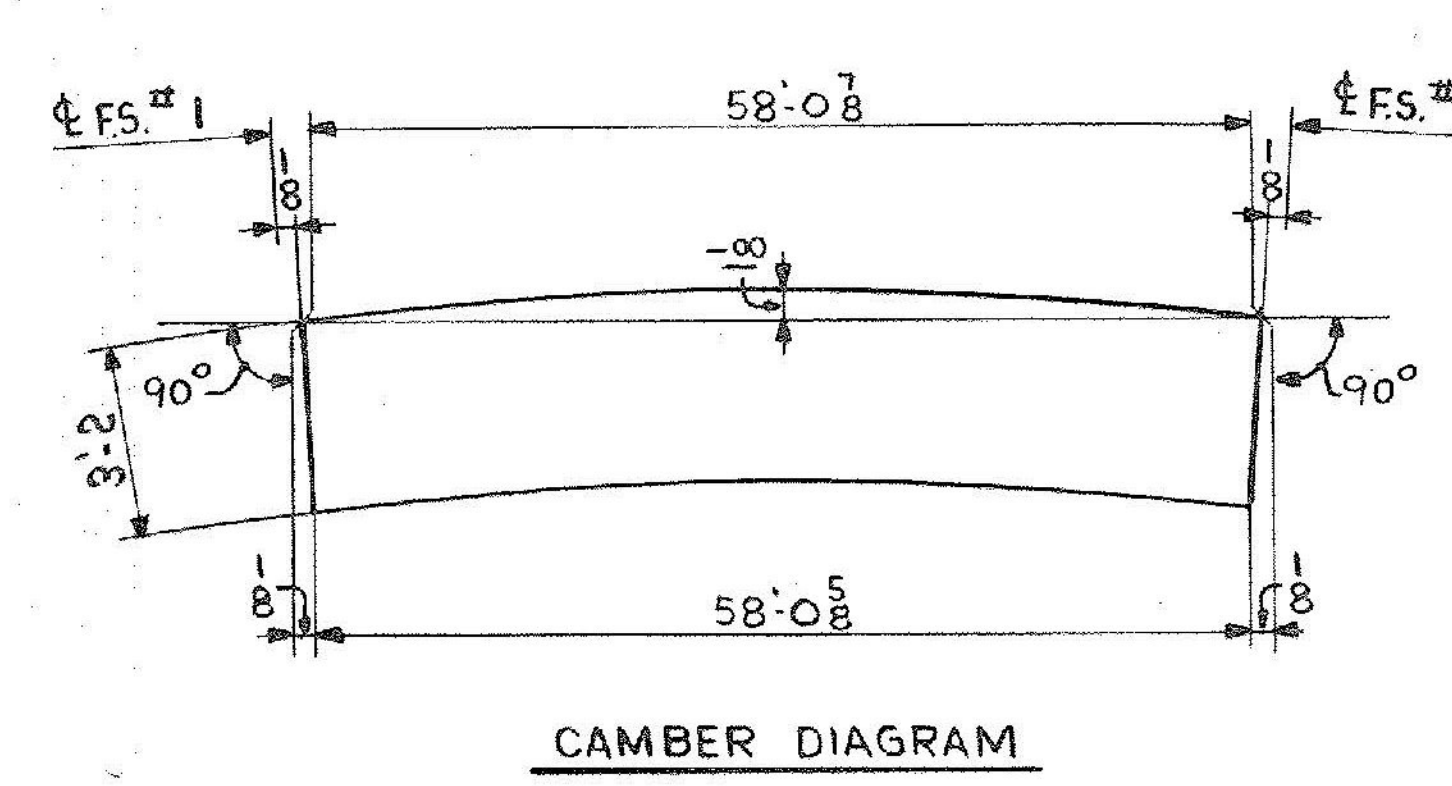


ONE-GIRDER-GIB
 FOR GIRDER STANDARD DETAILS SEE DWG. 52-2.
 FOR WEB & FLG. R CUTTING & ASSEMBLY SEE DWG. 52-1.



DIM. (X)
3'-0
7'-0
11'-0
15'-0
19'-0
23'-0
27'-0
31'-0
35'-0
39'-0
43'-0
47'-0
51'-0
55'-0



SHIP		BILL OF MATERIAL				JOB NO.	DRAWING NO.	REV.
GIB ONE		GIRDER				4-45	52-6	△
MARK	NO.	MARK	SHAPE	LENGTH	WT.	ITEM WT	REMARKS	
	1	wpl	R ¹ / ₂ x 39 ⁸ / ₈	58 0 ⁷ / ₈	1 ¹⁰ / ₁₆ x 5 ¹ / ₄	1/8	3754	CVN
	1	tf1	R ¹ / ₂ x 16	58 0 ⁷ / ₈	1 ¹⁰ / ₁₆ x 5 ¹ / ₄	1/8	2767	CVN
	1	bf1	R ¹ / ₂ x 16	58 0 ⁷ / ₈	1 ¹⁰ / ₁₆ x 5 ¹ / ₄	1/8	3358	CVN
	4	sp1	R ³ / ₈ x 36 ² / ₈	1 7 ² / ₈	3/8 x 3 3/4	1/8	303	CVN *
	4	sp2	R ¹ / ₂ x 16	2 1 ² / ₈	1/2 x 1 1/2	1/8	231	CVN *
	8	sp3	R ¹ / ₂ x 7	2 1 ² / ₈	1/2 x 1 1/2	1/8	202	CVN *
	1	fp1	R ³ / ₄ x 16	1 0 ⁵ / ₈	3/4 x 1 1/8	1/8	43	CVN *
	1	fp2	R ¹ / ₂ x 16	1 0 ⁵ / ₈	1/2 x 1 1/8	1/8	32	CVN *
	1	fp3	R ⁵ / ₁₆ x 16	1 0 ⁵ / ₈	5/16 x 1 1/8	1/8	18	CVN *
	1	fp4	R ¹ / ₂ x 16	1 0 ⁵ / ₈	1/2 x 1 1/8	1/8	7	CVN *
	1	sf3	R ¹ / ₂ x 8	2 11	1/2 x 1 1/2	1/8	40	
	1	sf4	R ¹ / ₂ x 8	2 11	1/2 x 1 1/2	1/8	40	
						1075	#	SHIPPING WEIGHT
* PAY WEIGHT								
	4		R ³ / ₈ x 36	1 6 ⁴ / ₈			279	
	4		R ¹ / ₂ x 16	2 0 ⁴ / ₈			220	
	8		R ¹ / ₂ x 7	2 0 ⁴ / ₈			193	
						1065	#	PAY WEIGHT
IT. NO. 506.91						BR. NO. 5		PROJ. NO. F-EGC-F-020-1(10)
FOR APPROVAL				FOR FILES & FIELD				
STEEL: ASTM. <input type="checkbox"/> A36 <input type="checkbox"/> A572 GR1 <input checked="" type="checkbox"/> A588 GR1 <input type="checkbox"/> Unless Noted								
WELDING ELECTRODE: <input type="checkbox"/> E70 <input checked="" type="checkbox"/> See Welding Proc. <input type="checkbox"/> None								
SHOP CONN: <input type="checkbox"/> Bolted <input checked="" type="checkbox"/> Welded <input type="checkbox"/> None								
FIELD CONN: <input checked="" type="checkbox"/> Bolted <input type="checkbox"/> Welded <input type="checkbox"/> None								
HOLES: <input type="checkbox"/> 13/16 <input checked="" type="checkbox"/> 15/16 <input type="checkbox"/> Unless Noted <input type="checkbox"/> None								
PAINT: <input checked="" type="checkbox"/> None <input type="checkbox"/> Shopcoat <input type="checkbox"/> Galv. After Fab. <input type="checkbox"/> As Noted								
SPECIAL PAINT: NONE								
SPECIAL CLEANING: <input checked="" type="checkbox"/> Blast Clean <input type="checkbox"/> None <input type="checkbox"/> SSPC-SP6								
GIRDER - GIB								
APPROVED: 2-1-85			<i>Bancroft & Martin Inc.</i> South Portland, Maine 04106 JOB: U.S. ROUTE 4 W.B. OVER DORR DRIVE RUTLAND, VERMONT CUSTOMER: MASKELL FENCE CO. DESIGNER: STATE OF VERMONT, AGENCY OF TRANS.					
PRINT DIST								
7	12-27-84	APP.						
8	2-6-85	FAB.						
ORIG 3-26-86 VAT								
REV. △			ORDER NO.	JOB NO.	DRAWING NO.	REV.		
CHECKED	RW	12-21-84		4-45	52-6	△		
DRAWN	DW	11-17-84						