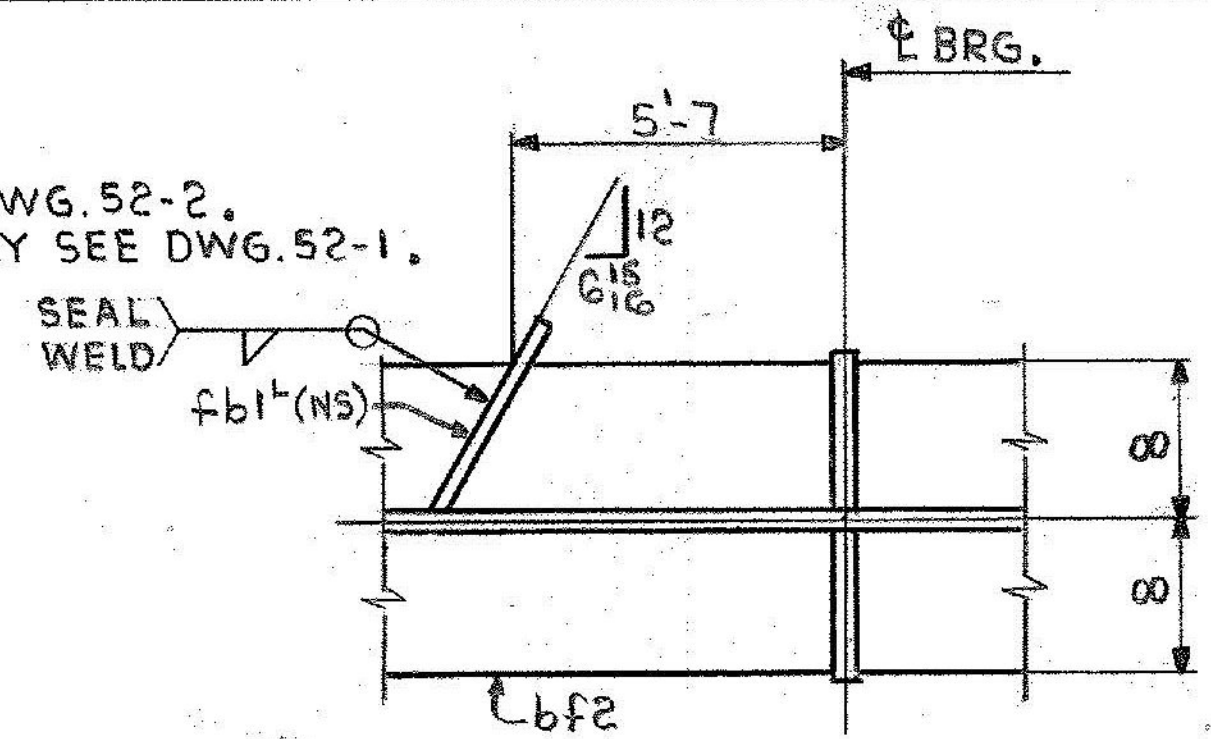


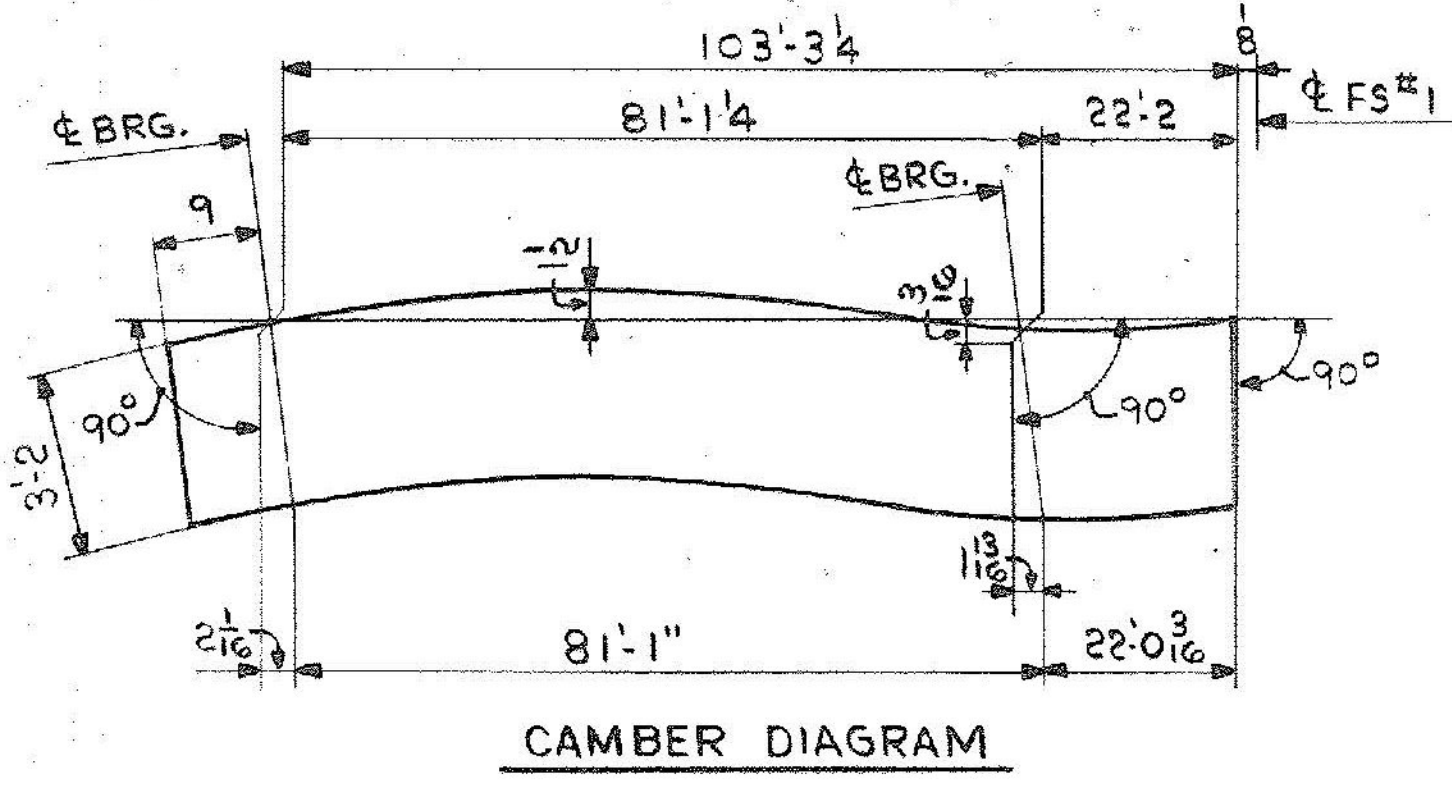
DIMENSION (X)

2'-0	30'-0	58'-0	86'-0
6'-0	34'-0	62'-0	90'-0
10'-0	38'-0	66'-0	94'-0
14'-0	42'-0	70'-0	98'-0
18'-0	46'-0	74'-0	102'-0
22'-0	50'-0	78'-0	
26'-0	54'-0	82'-3	

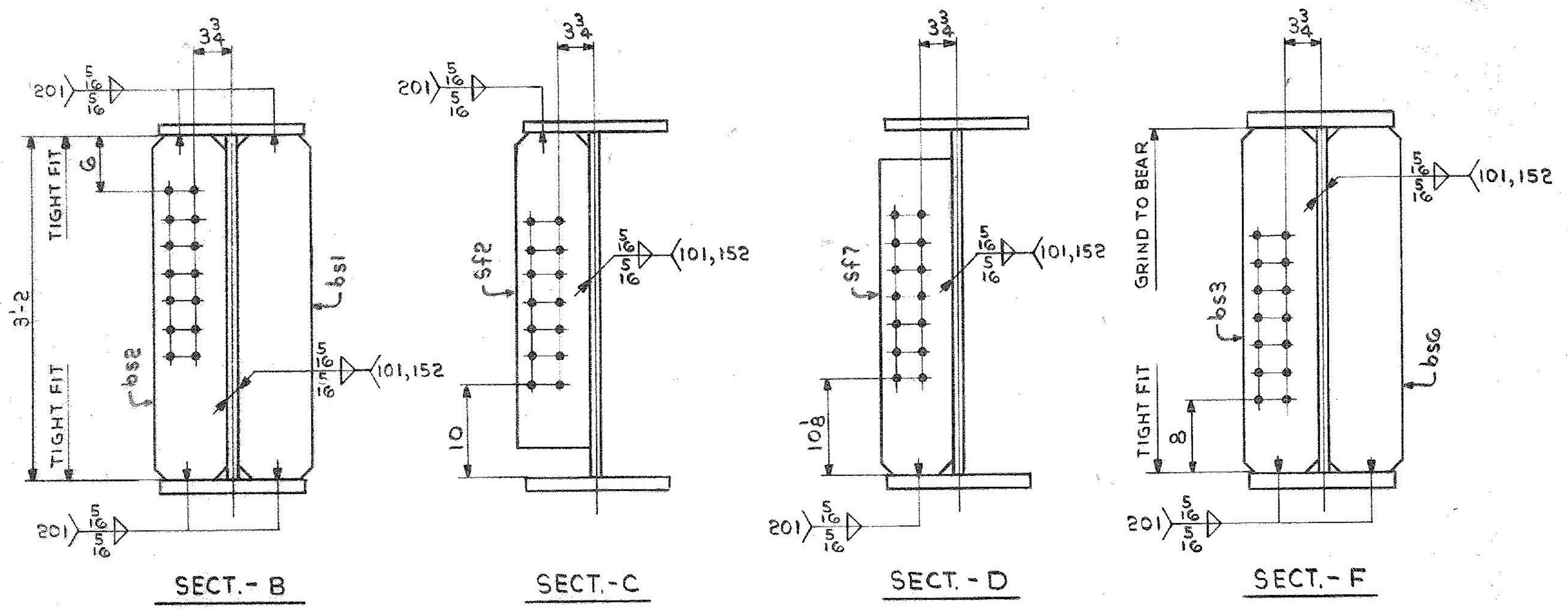
ONE GIRDER-GIA
 FOR GIRDER STANDARD DETAILS SEE DWG. 52-2,
 FOR WEB & FLG. R CUTTING & ASSEMBLY SEE DWG. 52-1.



SECTION-A



CAMBER DIAGRAM



SECTION-B

SECTION-C

SECTION-D

SECTION-F

SHIP		BILL OF MATERIAL				JOB NO.	DRAWING NO.	REV.
GIA ONE		GIRDER				4-45	52-3	△
MARK	NO.	MARK	SHAPE	LENGTH	WT.	ITEM	WT.	REMARKS
	1	WPI	R 2 x 39 3/4	104 0 1/4	10 40 1/2	A	1620	CVN
	1	tf1	R 7/8 x 16	71 10 1/4	10 22 1/4	E	3423	21733
	1	tf2	R 1 1/8 x 16	32 2	10 22 1/4	F	2896	CVN *
	1	bf1	R 1" x 16	71 10	10 22 1/4	G	3911	CVN
	1	bf2	R 1 1/8 x 16	32 0 3/8	10 22 1/4	H	2832	*
	1	bs1	R 3/4 x 8	3 2	10 20 0	A	65	
	1	bs2	R 3/4 x 8	3 2	10 20 0	A	65	
	1	bs3	R 3/4 x 8	3 2	10 20 0	A	65	
	1	bs6	R 3/4 x 8	3 2	10 20 0	A	65	
	3	sf2	R 1/2 x 8	2 11	10 23 0 21 0	B	119	
	2	sf7	R 1/2 x 8	2 11	10 23 0 21 0	B	79	
	1	fb1	R 4 x 3 1/8	0 10 3/8	10 28 1/2 x 20 0	H	3	20193# SHIPPING WEIGHT
* PAY WEIGHT								
	2	R 1 1/2 x 16		20 0			3573	
	1	R 1 1/8 x 16		12 2			580	
	1	R 1 1/2 x 16		12 0 3/8			675	
19383# PAY WEIGHT								
IT. NO. 506.91		BR. NO. 5		PROJ. NO. F-EGC-F-020-1(10)				
FOR APPROVAL FOR FILES & FIELD								
STEEL: ASTM <input type="checkbox"/> A36 <input type="checkbox"/> A572 GR <input checked="" type="checkbox"/> A588 GR <input type="checkbox"/> Unless Noted								
WELDING ELECTRODE: <input type="checkbox"/> E70 <input checked="" type="checkbox"/> See Welding Proc. <input type="checkbox"/> None								
SHOP CONN: <input type="checkbox"/> Bolted <input checked="" type="checkbox"/> Welded <input type="checkbox"/> None								
FIELD CONN: <input checked="" type="checkbox"/> Bolted <input checked="" type="checkbox"/> Welded <input type="checkbox"/> None								
HOLES: <input type="checkbox"/> 13/16 <input checked="" type="checkbox"/> 15/16 <input type="checkbox"/> Unless Noted <input type="checkbox"/> None								
PAINT: <input checked="" type="checkbox"/> None <input type="checkbox"/> Shopcoat <input type="checkbox"/> Galv. After Fab. <input type="checkbox"/> As Noted								
SPECIAL PAINT: NONE								
SPECIAL CLEANING: <input checked="" type="checkbox"/> Blast Clean <input type="checkbox"/> None <input type="checkbox"/> SSPC-SP6								
GIRDER-GIA								
APPROVED: 2-1-85								
PRINT DIST. 7 12-21-84 APP. 8 2-6-85 FAB. ORG 3-26-84 VAT								
JOB: U.S. ROUTE 4 W.B. OVER DORR DRIVE RUTLAND, VERMONT								
CUSTOMER: MASKELL FENCE CO. DESIGNER: STATE OF VERMONT, AGENCY OF TRANS.								
REV. △	ORDER NO.	JOB NO.	DRAWING NO.	REV.				
CHECKED DW 12-21-84			4-45	52-3				
DRAWN DW 11-16-84								