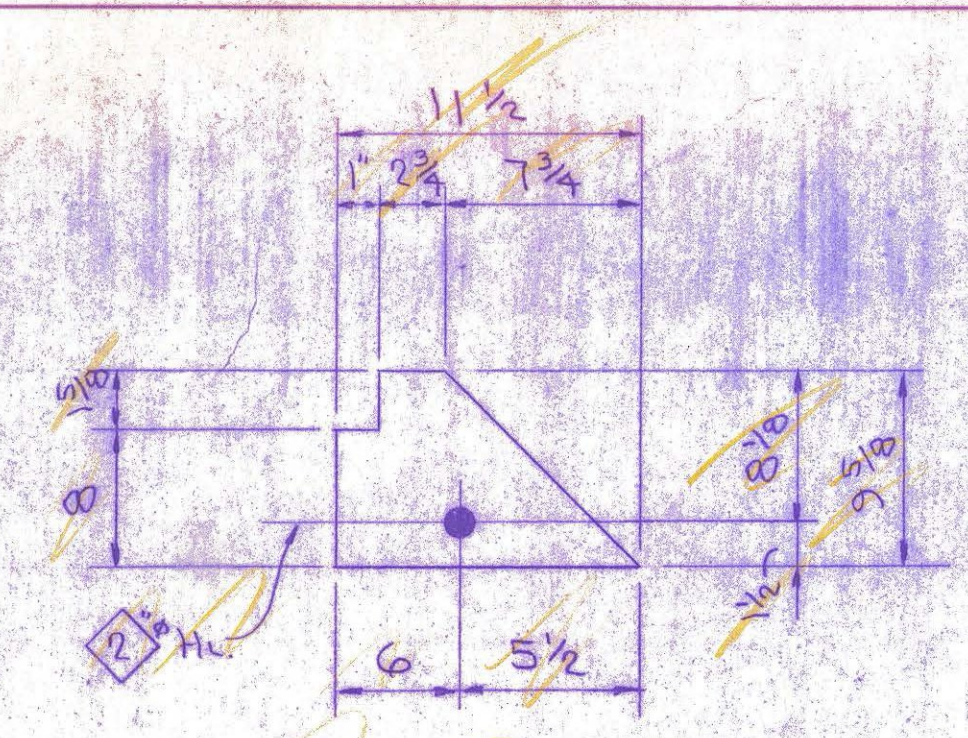
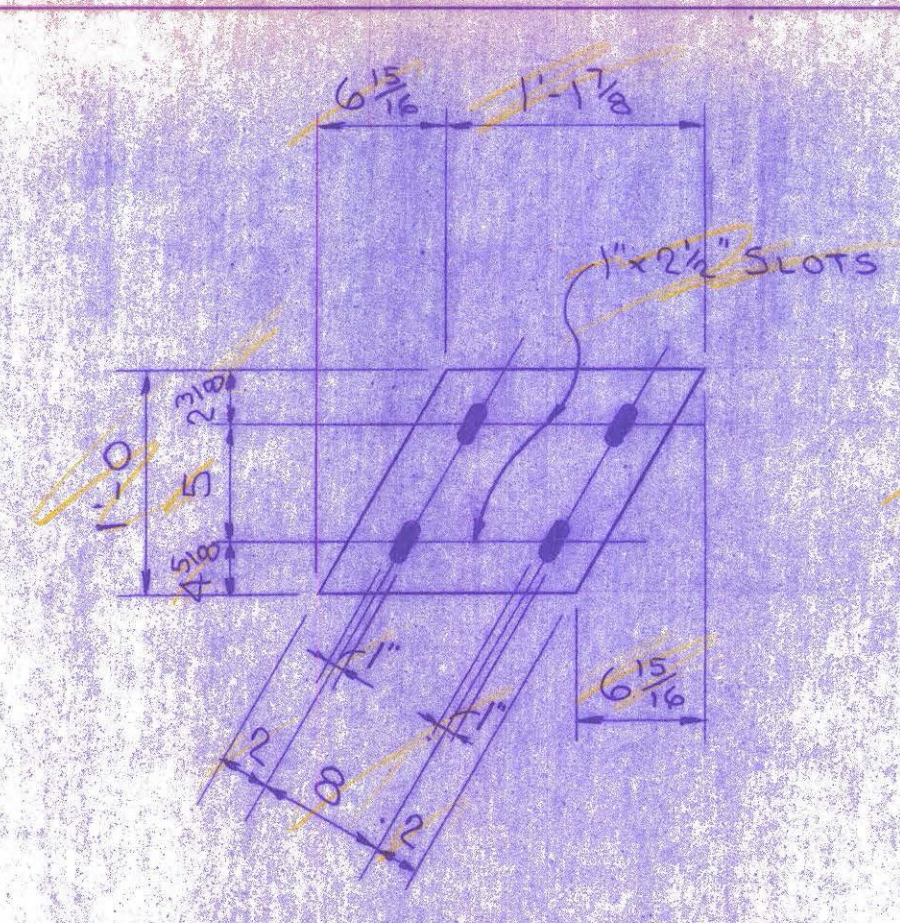


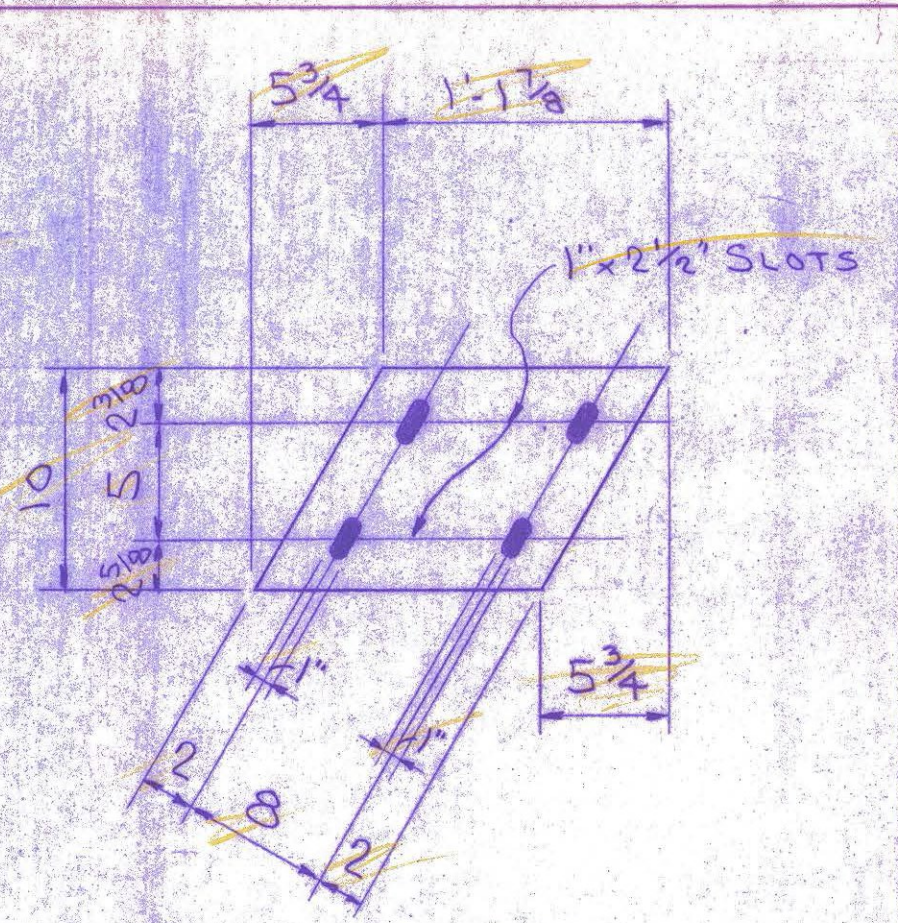
DETAIL OF R (ac)



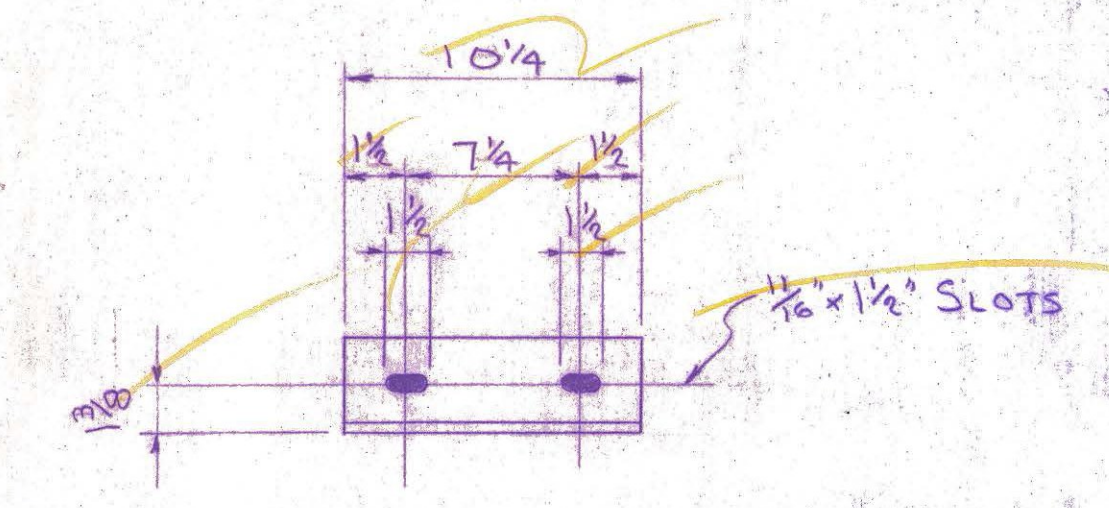
DETAIL OF R (ad)



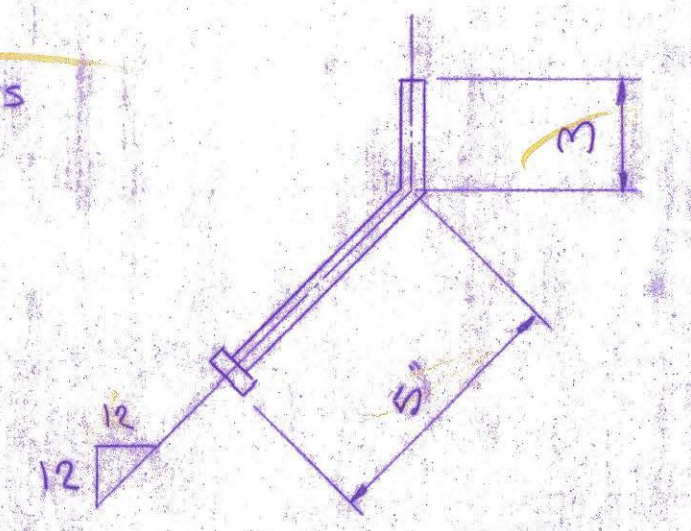
DETAIL OF R (af)



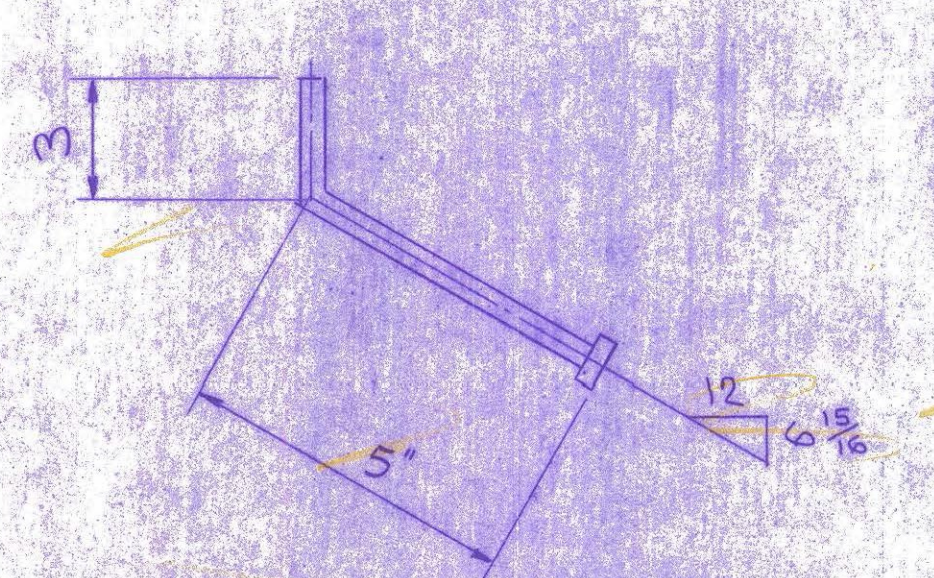
DETAIL OF R (ag)



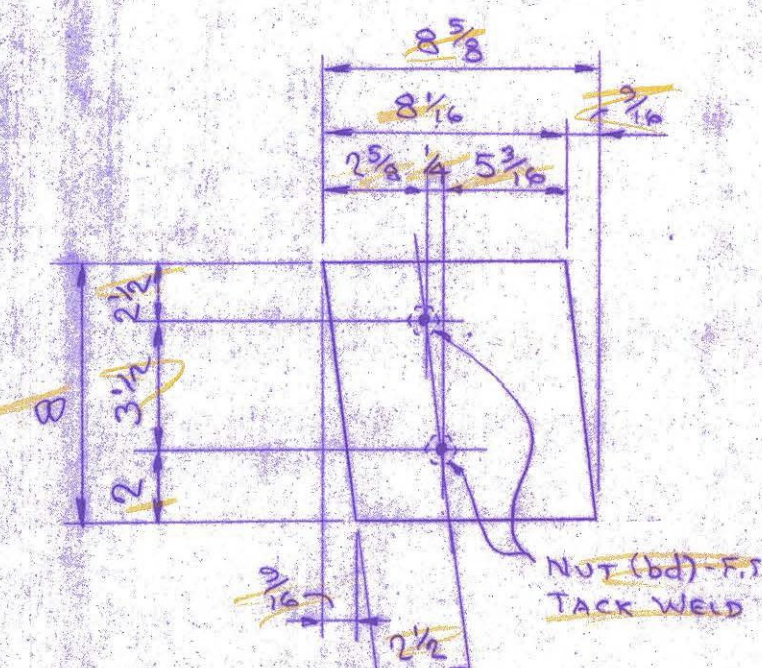
DETAIL OF L (ah)



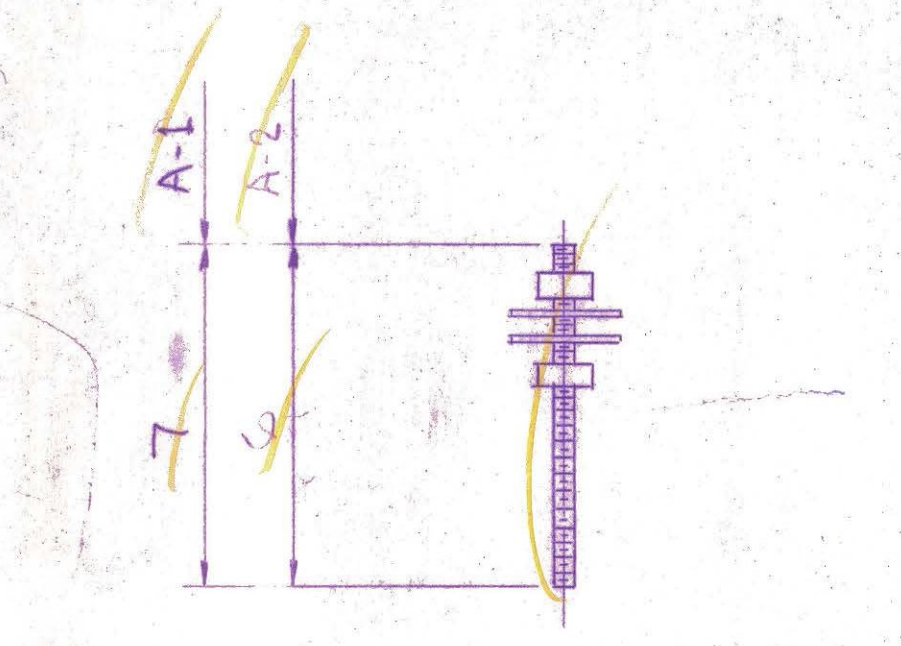
DETAIL OF STUD (ak)



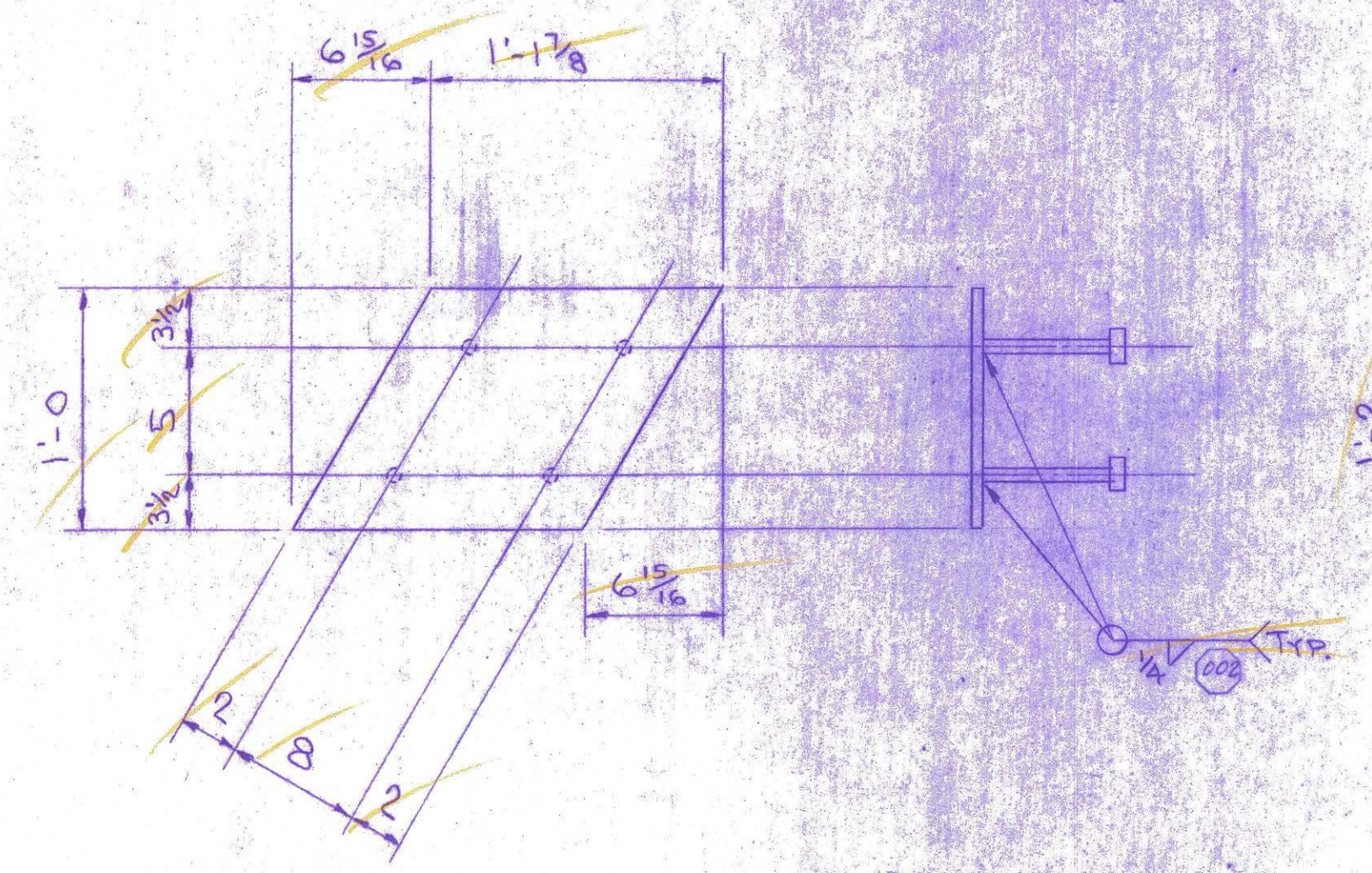
DETAIL OF STUD (am)



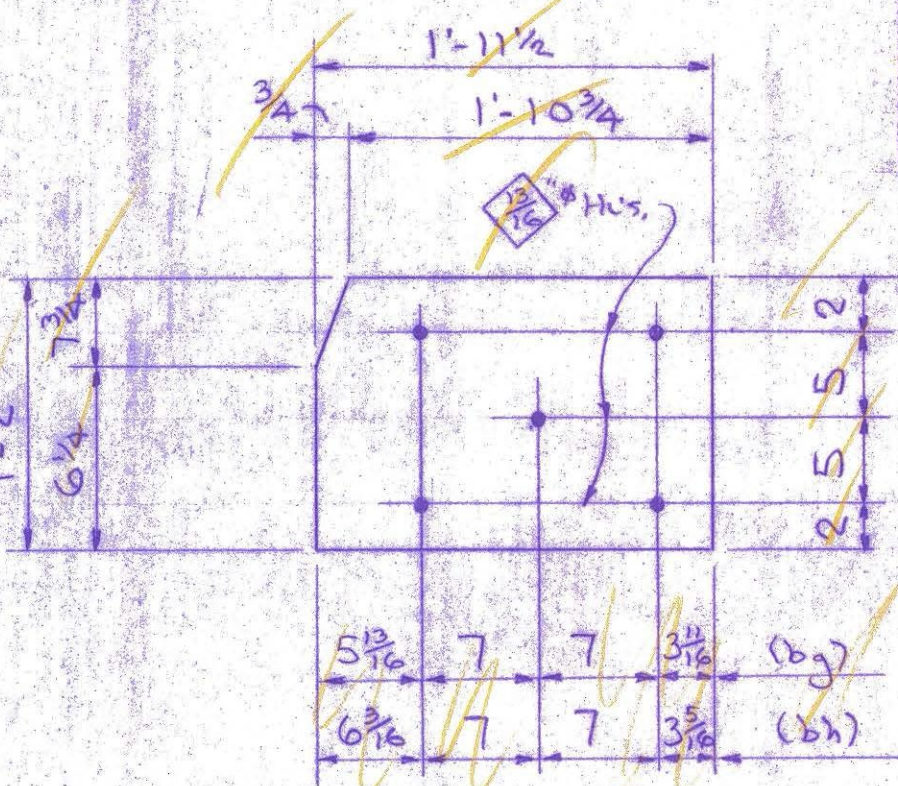
DETAIL OF R (bf)² (SHOWN)
(bf)² (OPP. HD.)



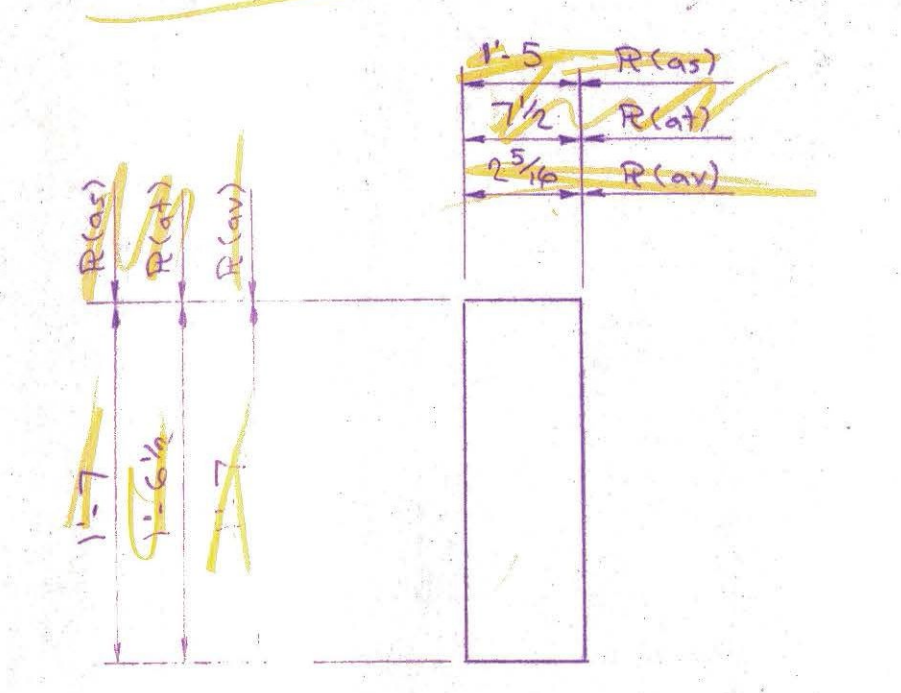
DETAIL OF ANCHORS A-1 & A-2



DETAIL OF ANCHOR R P-2



DETAIL OF R's (bg) & (bh)



DETAIL OF R's (as) (at) & (ay)

BILL OF MATERIAL				IDENTIFICATION LETTERS	
QTY	DESCRIPTION	FT	IN		
EJ3 ONE	EXPANSION JOINT			a	aa AA
EJ4 ONE	EXPANSION JOINT			b	bb BB
af ONE	D.S. BROWN Modif. EXTR.	43	1 1/2	c	cc CC
bf ONE	-Do-	43	1 1/2	d	dd DD
cf ONE	D.S. BROWN SS EXTR.	1	1 1/2	e	ee EE
d	2	1 1/2 x 1 1/2	1	1 1/2	-Do-
f	2	1 1/2 x 1 1/2	1	1 1/2	-Do-
g	2	1 1/2 x 1 1/2	1	1 1/2	-Do-
h	2	1 1/2 x 1 1/2	1	1 1/2	-Do-
k	2	1 1/2 x 1 1/2	2	8 3/8	-Do-
m	2	1 1/2 x 2	2	1 1/2	-Do-
n	2	1 1/2 x 7	1	1 1/2	-Do-
p	16	1 1/2 x 6 1/2	0	5	-Do-
s	4	1 1/2 x 8 1/2	1	5 3/8	-Do-
t	4	1 1/2 x 8	0	8 3/8	-Do-
v	4	1 1/2 x 2 1/2	0	8 3/8	-Do-
aa	5	1 1/2 x 6 1/2	1	6	-Do-
ac	22	1 1/2 x 8 3/8	1	1 1/2	-Do-
ad	10	1 1/2 x 9 3/8	0	1 1/2	-Do-
af	22	1 1/2 x 12	1	8 3/8	-Do-
ag	10	1 1/2 x 10	1	7 3/8	-Do-
ah	28	1 1/2 x 2 1/2 x 1/4	0	10 1/2	-Do-
ak	56	3/8" x STUD	0	8	-Do-
am	56	3/8" x STUD	0	8	-Do-
an	58	3/8" x STUD	0	8	-Do-
ap	58	3/8" x STUD	0	8	-Do-
as	4	1 1/2 x 17	1	7	-Do-
at	4	1 1/2 x 7 1/2	1	6 1/2	-Do-
av	4	1 1/2 x 2 3/8	0	7	-Do-
aw	56	3/8" x HX HD. BOLT w/ NUT & WASH	0	1 3/8	ASTM-A307
ba	2	D.S. BROWN SS-300 SEAL	45	0	POLYCHLOROPRENE
bb	2	D.S. BROWN SS-EXTR.	1	2 3/8	SEE DETAIL
A-1	40	ANCHORS			
	40	1/2" ALL THD. ROD	0	7	
	80	1/2" HEX. NUT	-	-	
	80	1/2" FLAT WASH.	-	-	
A-2	88	ANCHORS			
	88	1/2" ALL THD. ROD	0	8	
	176	1/2" HEX. NUT	-	-	
	176	1/2" FLAT WASH.	-	-	
P-2	22	ANCHOR PLATES			
	22	1 1/2 x 12	1	8 3/8	
	88	3/8" x STUD	0	8	
-EJ3 (EJ4 BILL CONTINUED)-					
bb	2	1 1/2 x 7	2	3 3/8	SEE DETAIL
bd	56	3/8" x HX HD. BOLT w/ NUT & WASH	0	2 1/2	ASTM-A307
bf	2	1 1/2 x 8	0	8 3/8	SEE DETAIL
bg	4	1 1/2 x 14	1	11 1/2	-Do-
bh	4	1 1/2 x 14	1	11 1/2	-Do-

RECEIVED
 CK'D BY *WLB* OK'D BY *WLB*
 RESUBMIT APPROVED
 DATE 10/2
Allen & Couch
Sub

WORK THIS SHEET w/ SHT'S 3 & 4

UNITED STEEL FABRICATORS, INC.
 P.O. BOX 516
 SIDNEY, OHIO 45365
 TELEPHONE (513) 492-9184

PROJECT	85-1090 RUTLAND COUNTY	REV. NO.	85-4621
DESCRIPTION	EXPANSION JOINT DETAILS	DRAWN	C. HAYDEN
LOCATION	U.S. ROUTE 4 OVER DORR DRIVE	CHFD.	J.R.
CITY	RUTLAND COUNTY, VERMONT	APP.	
CONTRACTOR	EARTH CONST CO	REV.	
REV. NO.	5	SHEET	5
SHEET NO.	5	OF	6