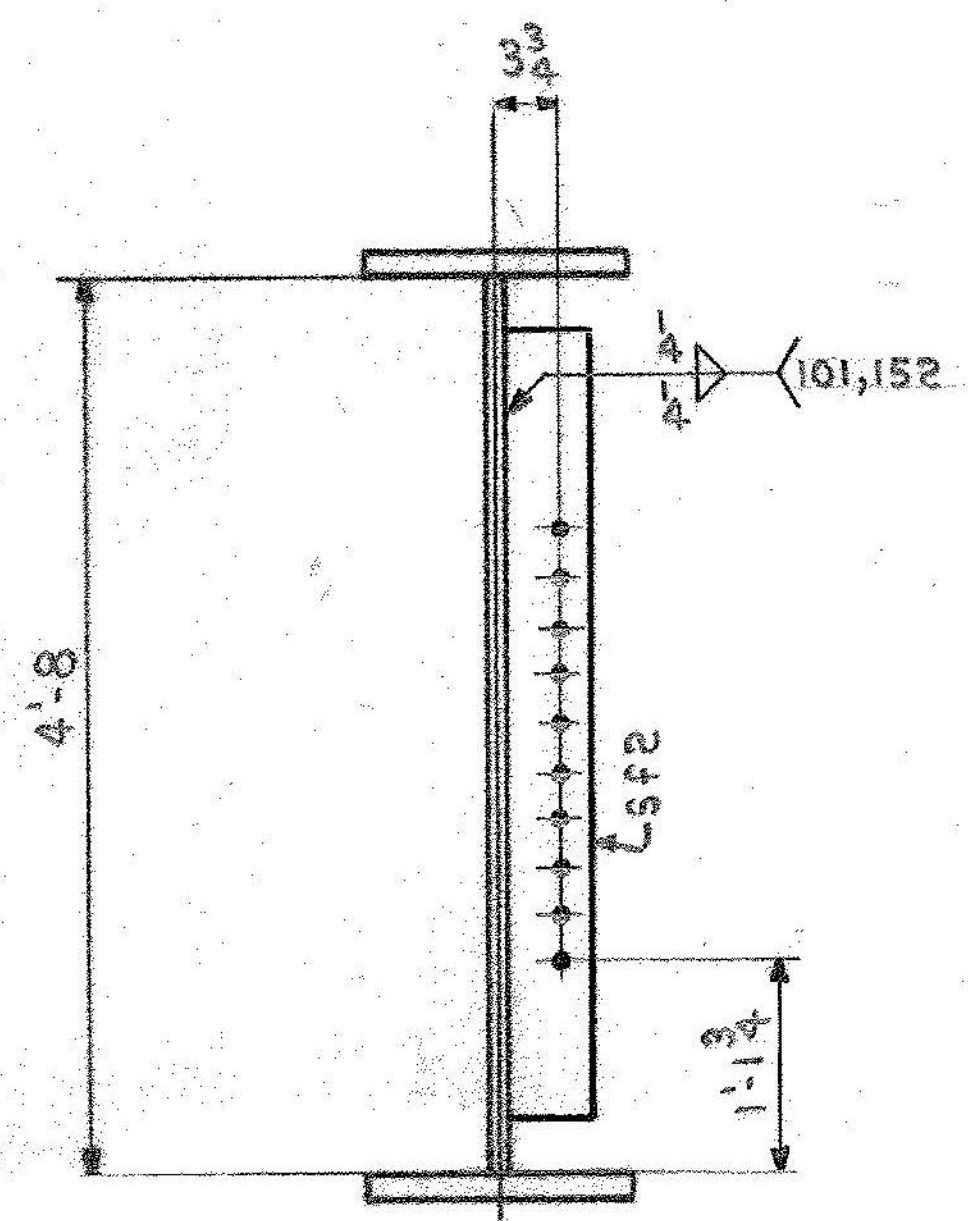
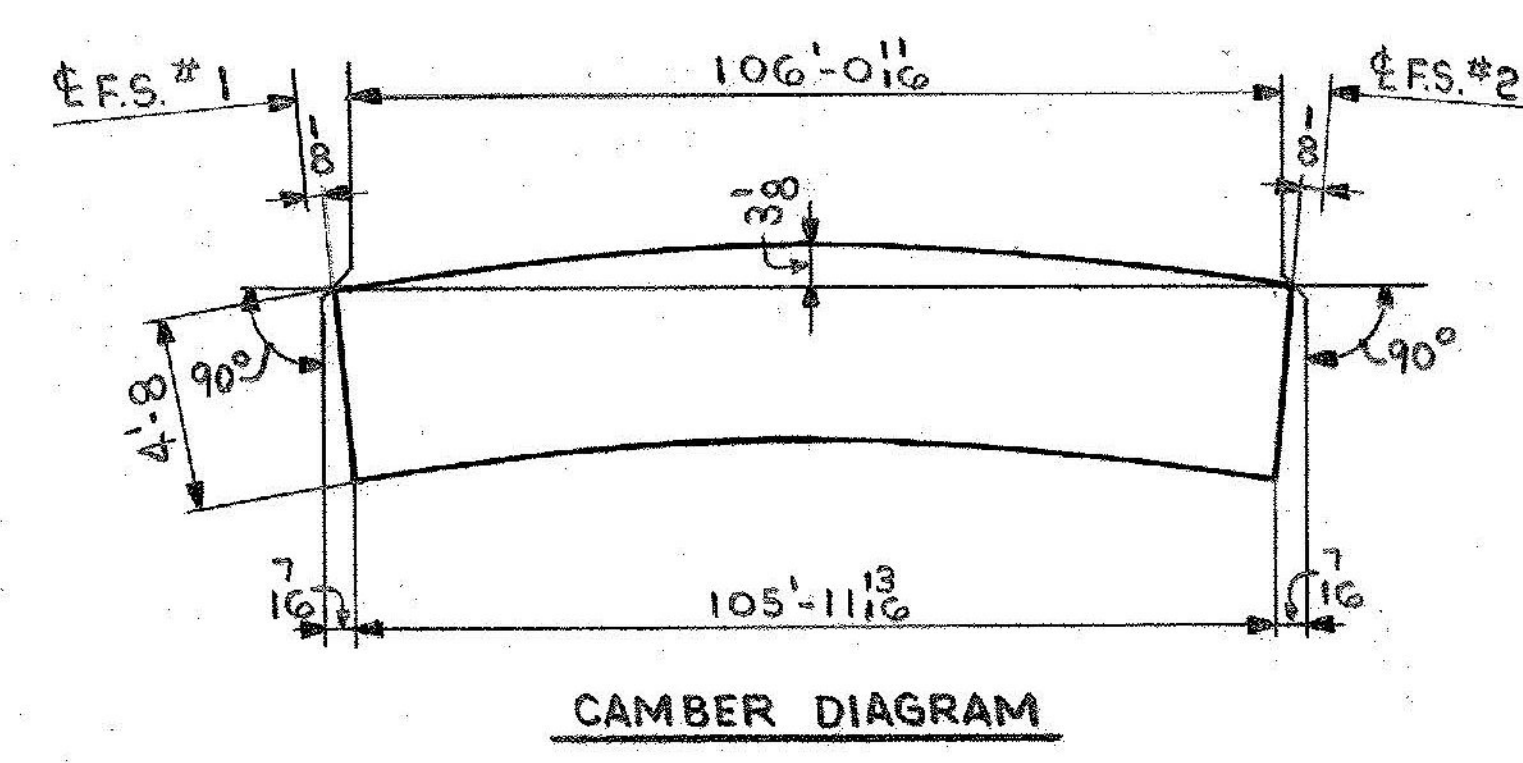


**ONE GIRDER-G12B**  
 FOR GIRDER STANDARD DETAILS SEE DWG. 52-2.  
 FOR WEB & FLG. R CUTTING & ASSEMBLY SEE DWG. 52-1.



DIMENSION (X)	
1'-6"	57'-0"
5'-0"	61'-0"
9'-0"	65'-0"
13'-0"	69'-0"
17'-0"	73'-0"
21'-0"	77'-0"
25'-0"	81'-0"
29'-0"	85'-0"
33'-0"	89'-0"
37'-0"	93'-0"
41'-0"	97'-0"
45'-0"	101'-0"
49'-0"	104'-6"
53'-0"	



SHIP		BILL OF MATERIAL		JOB NO.	DRAWING NO.	REV.	
				4-44	52-14	△	
MARK	NO.	MARK	SHAPE	LENGTH	WT.	REMARKS	
G12B	ONE		GIRDER				
	1	WP1	R 5/8 x 5 7/8	106 0 1/16	127.7	CVN	
	1	t-f1	R 5/8 x 16	106 0 1/16	505.2		
	1	b-f1	R 1/4 x 16	105 11 13/16	72.3	CVN	
	4	SP1	R 1/2 x 5 1/2	2 1 1/2	74.5	CVN	
	4	SP2	R 3/4 x 16	2 7 1/2	42.9	CVN	
	8	SP3	R 3/4 x 6 1/2	2 7 1/2	34.8	CVN	
	2	fp1	R 3/8 x 16	1 3 3/8	12.4	4.43 IR	
	2	fp2	R 1/2 x 16	1 3 3/8	7.1	4.43 15	
	4	sf2	R 5/8 x 5	4 2	177		
* PAY WEIGHT							
	4		R 2 x 5 1/2	2 1	72.3		
	4		R 3/4 x 16	2 7	42.2		
	8		R 3/4 x 6 1/2	2 7	34.8		
	2		R 3/8 x 16	1 3 3/8	12.2		
	2		R 1/2 x 16	1 3 3/8	7.0		
* SHIPPING WEIGHT							
26786 #							
* PAY WEIGHT							
26749 #							
IT. NO. 506.91		BR. NO. 6		PROJ. NO. F020-1(10)			
<b>FOR APPROVAL</b>		<b>FOR FILES &amp; FIELD</b>					
STEEL: ASTM. <input type="checkbox"/> A36 <input type="checkbox"/> A572 GR1 <input checked="" type="checkbox"/> A588 GR1 <input type="checkbox"/> Unless Noted							
WELDING ELECTRODE: <input type="checkbox"/> E70 <input checked="" type="checkbox"/> See Welding Proc. <input type="checkbox"/> None							
SHOP CONN: <input type="checkbox"/> Bolted <input checked="" type="checkbox"/> Welded <input type="checkbox"/> None							
FIELD CONN: <input checked="" type="checkbox"/> Bolted <input type="checkbox"/> Welded <input type="checkbox"/> None							
HOLES: <input type="checkbox"/> 13/16 <input checked="" type="checkbox"/> 15/16 <input type="checkbox"/> Unless Noted <input type="checkbox"/> None							
PAINT: <input checked="" type="checkbox"/> None <input type="checkbox"/> Shopcoat <input type="checkbox"/> Galt. After Fab. <input type="checkbox"/> As Noted							
SPECIAL PAINT: NONE							
SPECIAL CLEANING: <input checked="" type="checkbox"/> Blast Clean <input type="checkbox"/> None <input type="checkbox"/> SSPC-SP6							
<b>GIRDER - G12B</b>							
APPROVED: 2-1-85		 <b>Bancroft &amp; Martin Inc.</b> South Portland, Maine 04106 JOB: U.S. ROUTE 4 E.B. OVER OTTER CREEK RUTLAND, VERMONT CUSTOMER: EARTH CONSTRUCTION DESIGNER: STATE OF VERMONT, AGENCY OF TRANS.					
PRINT DIST.							
7 12-14-84 APP.							
8 2-26-85 FAB.							
ORIG 3-26-86 VAT		F.B.F.					
REV. △		ORDER NO.		JOB NO.		DRAWING NO.	
CHECKED R.W. 12-13-84		4-44		52-14		△	
DRAWN D.W. 11-30-84							