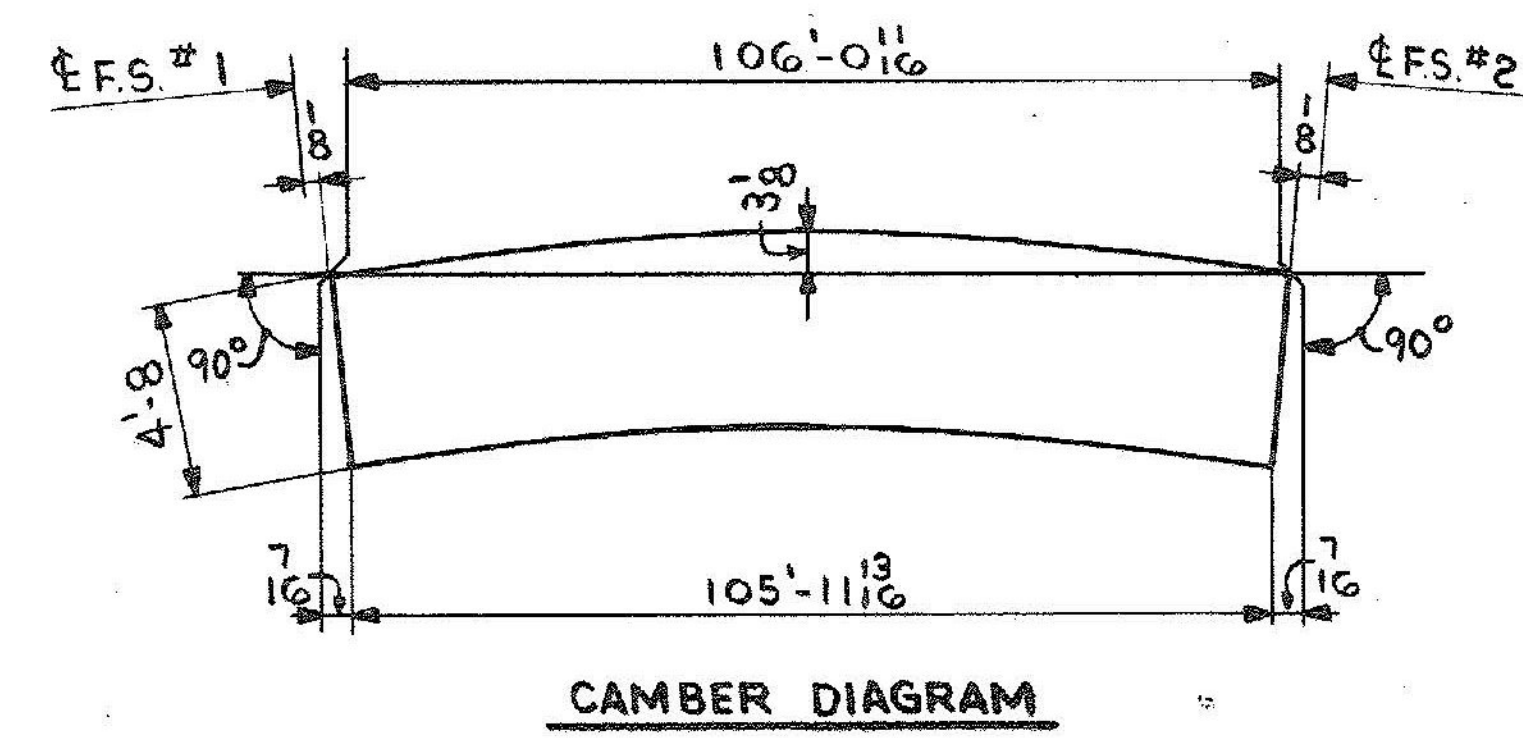
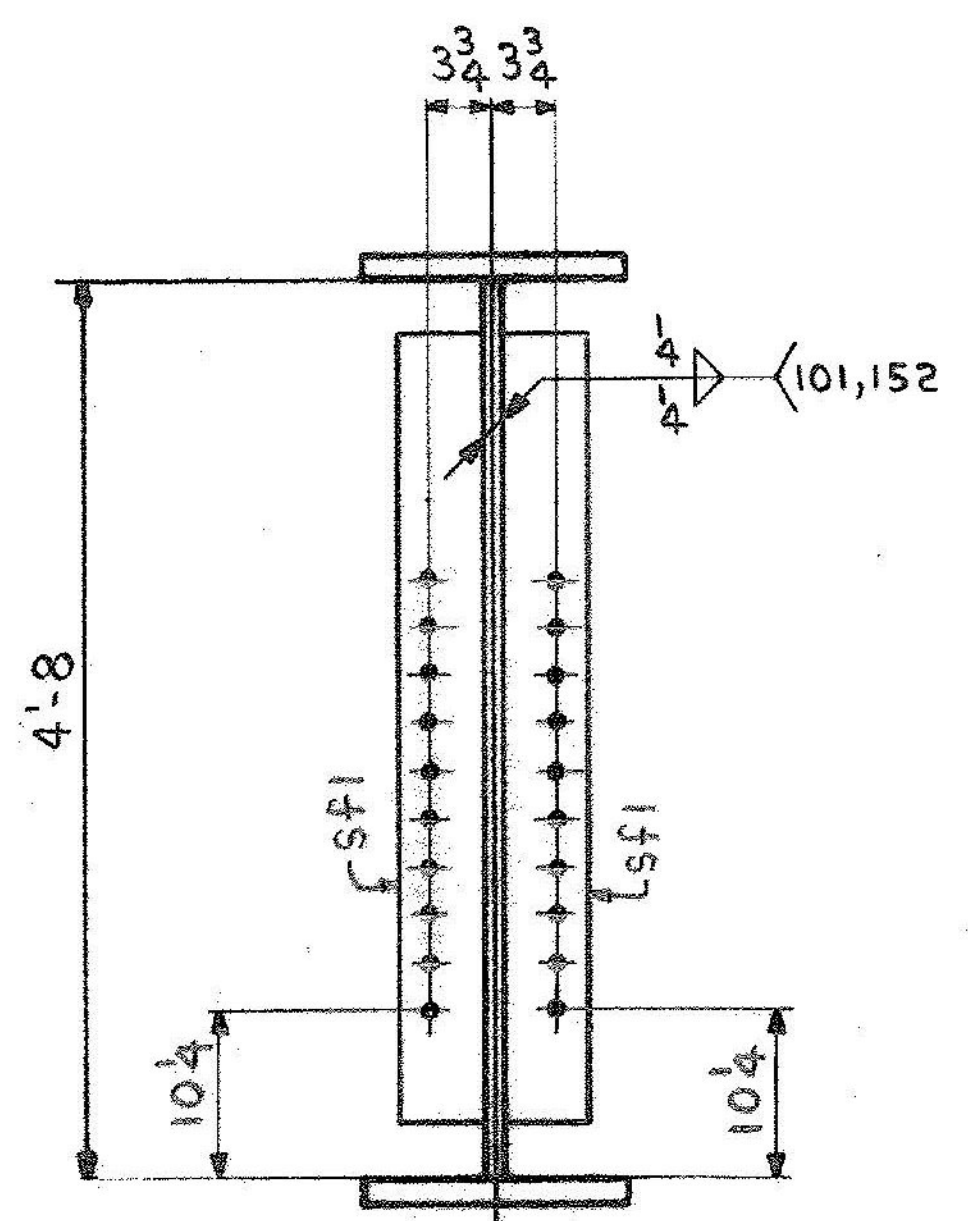


**ONE GIRDER - G9B**  
 FOR GIRDER STANDARD DETAILS SEE DWG. 52-2.  
 FOR WEB & FLG. & CUTTING & ASSEMBLY SEE DWG. 52-1.



SHIP		BILL OF MATERIAL		JOB NO.	DRAWING NO.	REV.
G9B ONE		GIRDER		4-44	52-11	△
MARK	NO.	MARK	SHAPE	LENGTH	WGT.	REMARKS
	1	wp1	R 8 x 598	106' 0 1/16	1267	CVN
	1	tf1	R 8 x 16	106' 0 1/16	6052	
	1	bfl	R 14 x 16	105' 11 1/16	7213	CVN
	4	sp1	R 2 x 51 1/2	2' 1 1/2	745	CVN
	4	sp2	R 3/4 x 16	2' 7 1/2	427	CVN
	8	sp3	R 3/4 x 6 1/2	2' 7 1/2	348	CVN
	2	fp1	R 8 x 16	1' 3 3/8	114	4.43 IR
	2	fp2	R 8 x 16	1' 3 3/8	71	4.43 IS
	8	sf1	R 3/8 x 5	4' 2	354	
* PAY WEIGHT						
	4	R 2 x 51	2	1	723	
	4	R 3/4 x 16	2	7	422	
	8	R 3/4 x 6 1/2	2	7	343	
	2	R 8 x 16	1	3 3/8	122	
	2	R 8 x 16	1	3 3/8	70	
# SHIPPING WEIGHT						
# PAY WEIGHT						

IT. NO. 506.91 BR. NO. 6 PROJ. NO. F020-1(10)

**FOR APPROVAL** **FOR FILES & FIELD**

STEEL: ASTM.  A36  A572 GRI  A588 GRI  Unless Noted

WELDING ELECTRODE:  E70  See Welding Proc.  None

SHOP CONN:  Bolted  Welded  None

FIELD CONN:  Bolted  Welded  None

HOLES:  13/16  15/16  Unless Noted  None

PAINT:  None  Shopcoat  Galv. After Fab.  As Noted

SPECIAL PAINT: NONE

SPECIAL CLEANING:  Blast Clean  None  SSPC-SP6

**GIRDER - G9B**

APPROVED: 2-1-85  
 PRINT DIST.  
 7 12-14-84 APP.  
 8 2-26-85 FAB.  
 FB.F.  
 ORIE 3-26-86 VAT

*Bancroft & Martin Inc*  
 South Portland, Maine 04106

JOB: U.S. ROUTE 4 E.B. OVER OTTER CREEK  
 RUTLAND, VERMONT

CUSTOMER: EARTH CONSTRUCTION

DESIGNER: STATE OF VERMONT, AGENCY OF TRANS

REV. △	ORDER NO.	JOB NO.	DRAWING NO.	REV.
CHECKED RW 12/84			4-44	52-11
DRAWN DW 11-30-84				