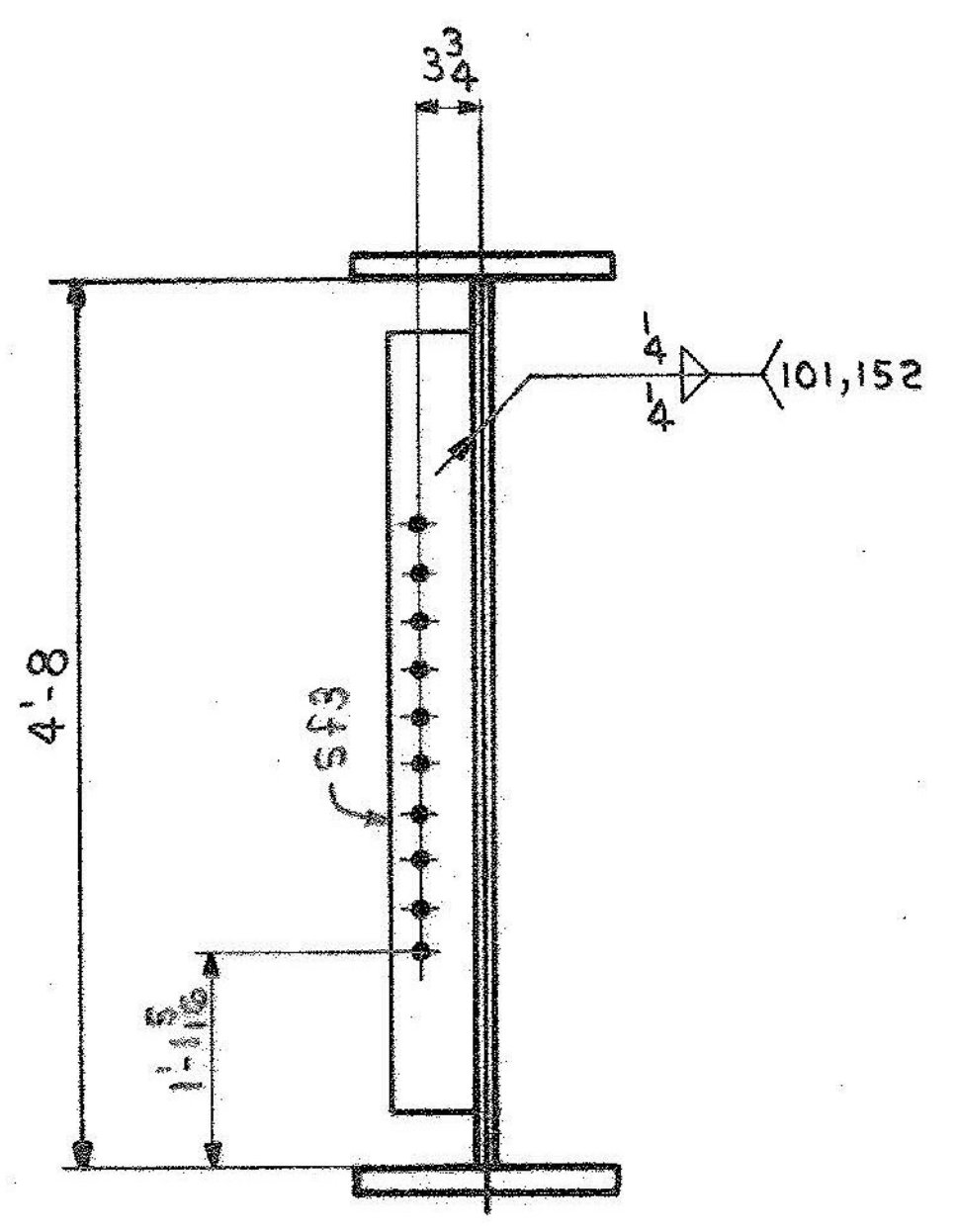
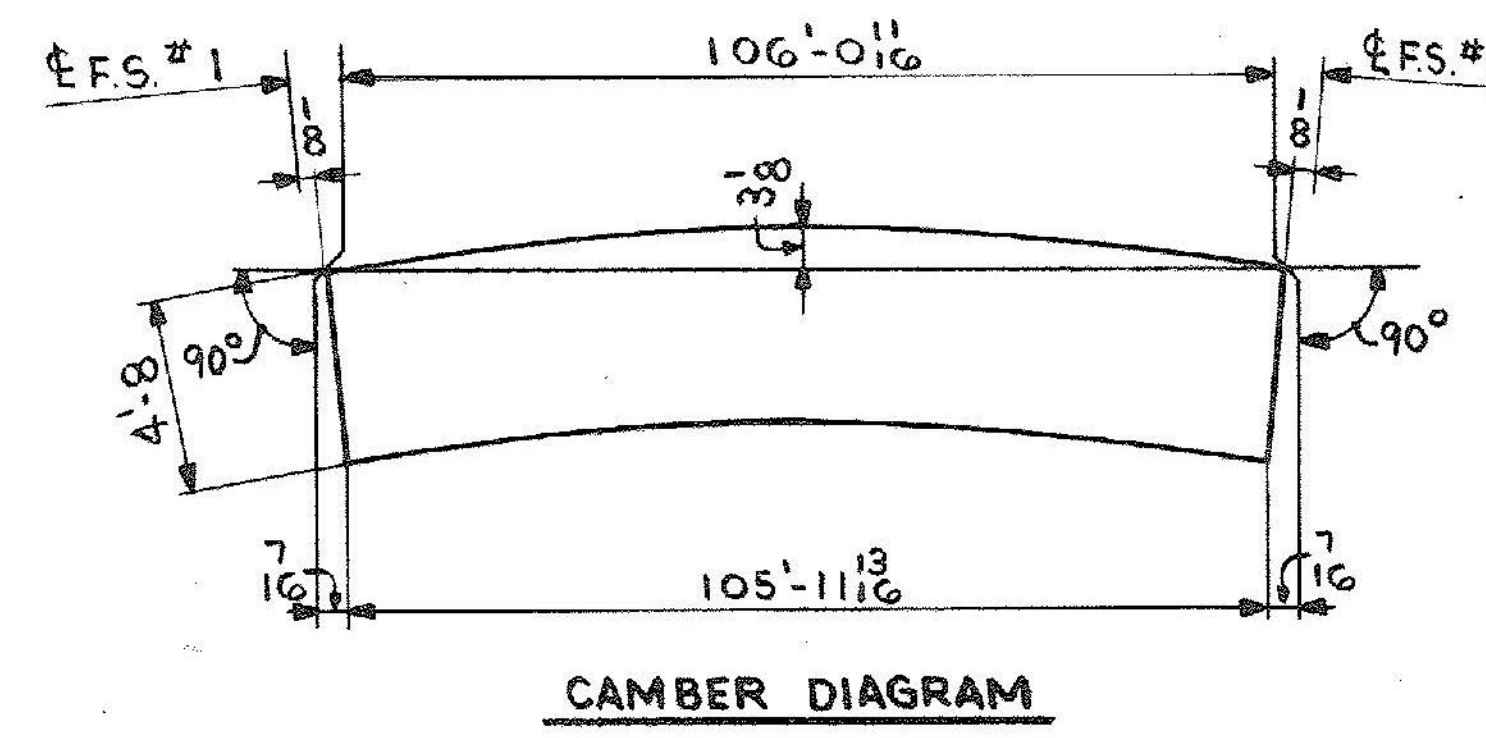


ONE-GIRDER - G7B
 FOR GIRDER STANDARD DETAILS SEE DWG. 52-2.
 FOR WEB & FLG. R CUTTING & ASSEMBLY SEE DWG. 52-1.



DIMENSION (X)	
1'-6	57'-0
5'-0	61'-0
9'-0	65'-0
13'-0	69'-0
17'-0	73'-0
21'-0	77'-0
25'-0	81'-0
29'-0	85'-0
33'-0	89'-0
37'-0	93'-0
41'-0	97'-0
45'-0	101'-0
49'-0	104'-6
53'-0	



SHIP		BILL OF MATERIAL		JOB NO.	DRAWING NO.	REV.
G7B ONE		GIRDER		4-44	52-9	△
MARK	NO.	MARK	SHAPE	LENGTH	WT.	REMARKS
1	WP1	R 5/8 x 5 9/8	106' 0 1/16	60" x 106' 3"	12627	CVN
1	tf1	R 5/8 x 16	106' 0 1/16	16" x 106' 4"	5052	
1	bfi	R 1 1/4 x 16	105' 11 1/16	16" x 106' 3"	17213	CVN
4	sp1	R 1/2 x 5 1/2	2' 1 1/2	50" x 106' 3"	745	CVN
4	sp2	R 3/4 x 16	2' 7 1/2	60" x 106' 3"	429	CVN
8	sp3	R 1/2 x 6 1/2	2' 7 1/2	60" x 106' 3"	348	CVN
2	fp1	R 5/8 x 16	1' 3 3/8	60" x 106' 3"	124	143 IR
2	fp2	R 5/8 x 16	1' 3 3/8	60" x 106' 3"	71	143 IS
4	sf3	R 5/8 x 5	4' 2	60" x 106' 3"	177	
						26786 # SHIPPING WEIGHT
						26749 # PAY WEIGHT

IT. NO. 506.91 BR. NO. 6 PROJ. NO. F020-1(10)

FOR APPROVAL **FOR FILES & FIELD**

STEEL: ASTM A36 A572 GR1 A572 GR50 Unless Noted

WELDING ELECTRODE: E70 See Welding Proc. None

SHOP CONN: Bolted Welded None

FIELD CONN: Bolted Welded None

HOLES: 13/16 15/16 Unless Noted None

PAINT: None Shopcoat Galv. After Fab. As Noted

SPECIAL PAINT: NONE

SPECIAL CLEANING: Blast Clean None SSPC-SP6

GIRDER - G7B

APPROVED: 2-1-85
 PRINT DIST. 7 12-19-84 APP. 8 2-26-85 FAB.

ORIG. 3-26-86 VAT

JOB: **Barcroft & Martin Inc**
South Portland, Maine 04106
U.S. ROUTE 4 E.B. OVER OTTER CREEK
RUTLAND, VERMONT

CUSTOMER: EARTH CONSTRUCTION
 DESIGNER: STATE OF VERMONT, AGENCY OF TRANS.

REV.	△	NO.	DATE	BY	DATE	BY
CHECKED		RW	12-19-84			
DRAWN		DW	11-30-84			

ORDER NO. JOB NO. DRAWING NO. REV.

4-44 52-9 △