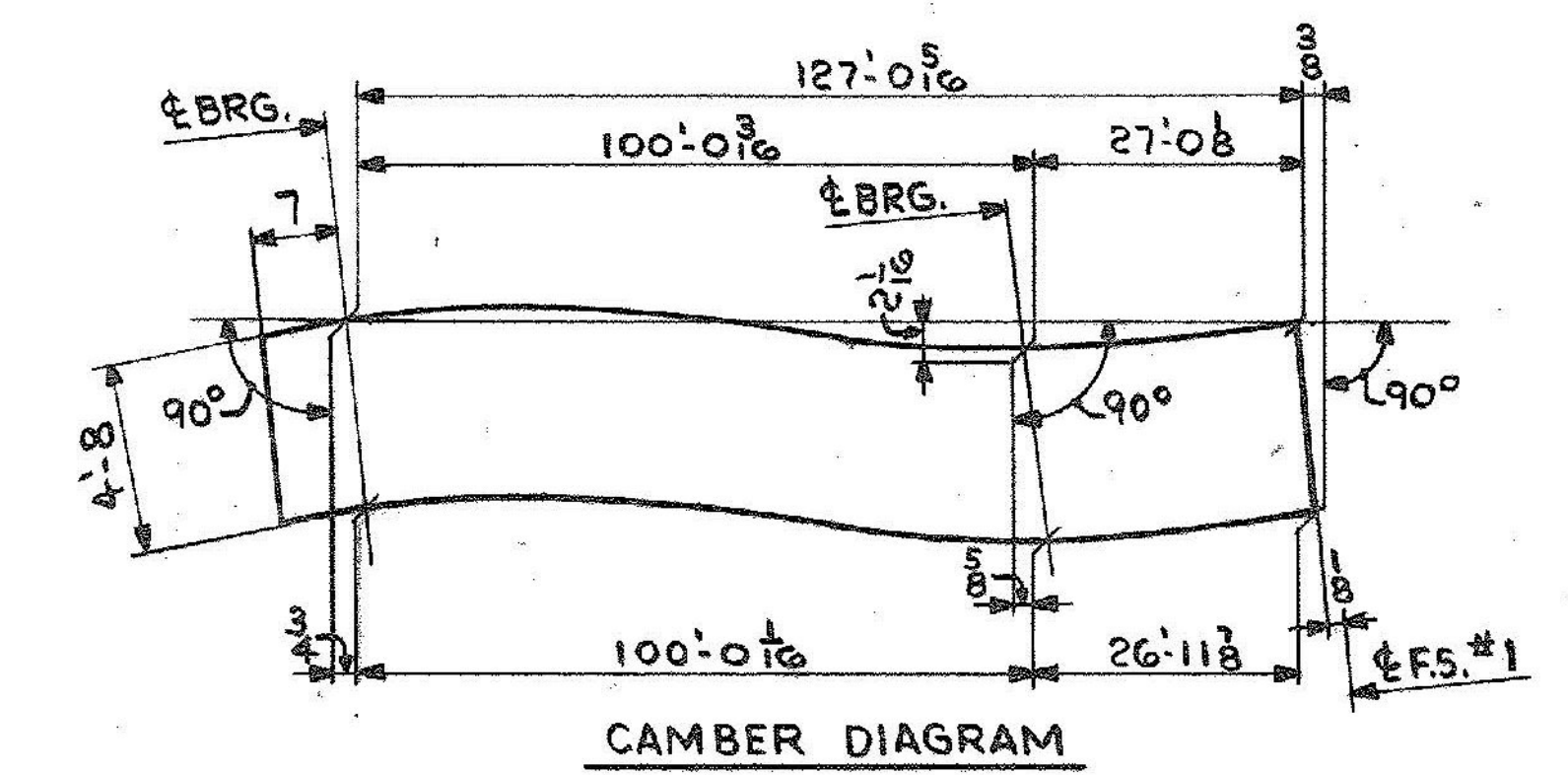
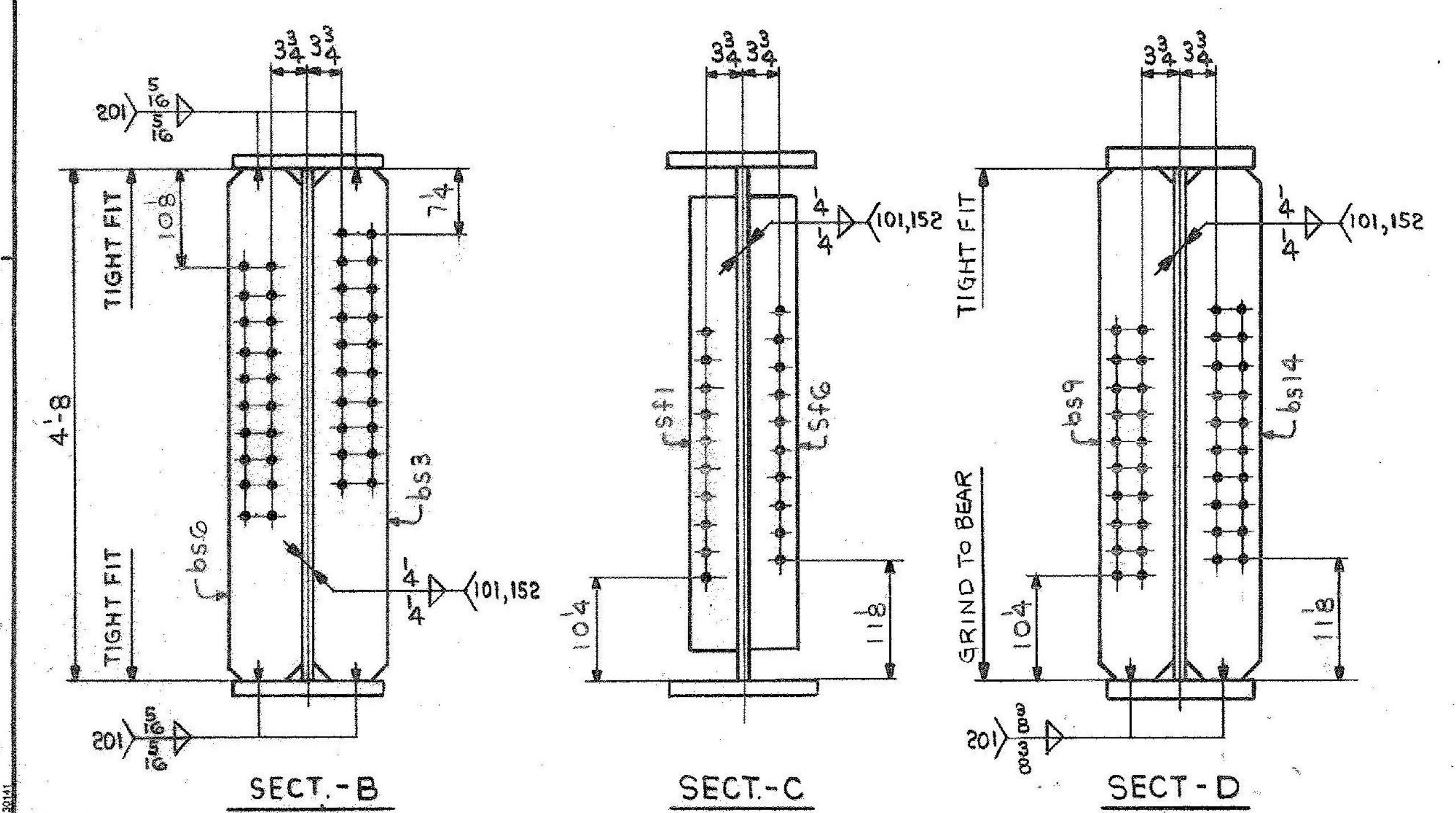


ONE GIRDER-GIOA
 FOR GIRDER STANDARD DETAILS SEE DWG. 52-2.
 FOR WEB & FLG. & CUTTING & ASSEMBLY SEE DWG. 52-1.



SHIP		BILL OF MATERIAL				JOB NO.	DRAWING NO.	REV.
G10A ONE		GIRDER				4-44	52-6	△
MARK	NO.	MARK	SHAPE	LENGTH	WT.	ITEM	WT.	REMARKS
	1	wp1	R 5/8 x 56 1/16	63 10	58 1/2 x 10 1/2	1	8	CVN
	1	wp2	R 5/8 x 57 1/16	63 9 1/16	58 1/2 x 9 1/2	1	8	CVN
	1	tf1	R 3/4 x 16	80 7 5/16	10 7/8 x 10 7/8	1	F 2840	
	1	tf2	R 3/4 x 16	47 0	10 7/8 x 10 7/8	1	H 4478	CVN
	1	bf1	R 3/4 x 16	80 6 1/16	10 7/8 x 10 7/8	1	F 2839	CVN
	1	bf2	R 3/4 x 16	47 0	10 7/8 x 10 7/8	1	H 4478	
	1	bs3	R 3/4 x 8	4 8	3 1/2 x 3 1/2	2	8	95
	1	bs6	R 3/4 x 8	4 8	3 1/2 x 3 1/2	2	8	95
	1	bs9	R 3/4 x 8	4 8	3 1/2 x 3 1/2	2	8	95
	1	bs14	R 3/4 x 8	4 8	3 1/2 x 3 1/2	2	8	95
	4	sf1	R 5/8 x 5	4 2	10.317.57	2	C 177	
	4	sf6	R 5/8 x 5	4 2	24.041.0	2	C 177	

IT. NO. 506.91 BR. NO. 6 PROJ. NO. F020-1(10)

FOR APPROVAL FOR FILES & FIELD

STEEL: ASTM A36 A572 GR1 A588 GR1 Unless Noted

WELDING ELECTRODE: E70 See Welding Proc. None

SHOP CONN: Bolted Welded None

FIELD CONN: Bolted Welded None

HOLES: 13/16 15/16 Unless Noted None

PAINT: None Shopcoat Galv. After Fab. As Noted

SPECIAL PAINT: NONE

SPECIAL CLEANING: Blast Clean None SSPC-SP6

GIRDER-GIOA

APPROVED: 2-1-85
 PRINT DIST.
 7 12-14-84 APP.
 8 2-26-85 FAB.
 ORIG. 3-26-86 VAT

Rancroft & Martin Inc.
 South Portland, Maine 04106

JOB: U.S. ROUTE 4 E.B. OVER OTTER CREEK
 RUTLAND, VERMONT

CUSTOMER: EARTH CONSTRUCTION

DESIGNER: STATE OF VERMONT, AGENCY OF TRANS

REV. △
 CHECKED Rm
 DRAWN DW

ORDER NO. 4-44 JOB NO. 52-6 DRAWING NO. 52-6 REV. △