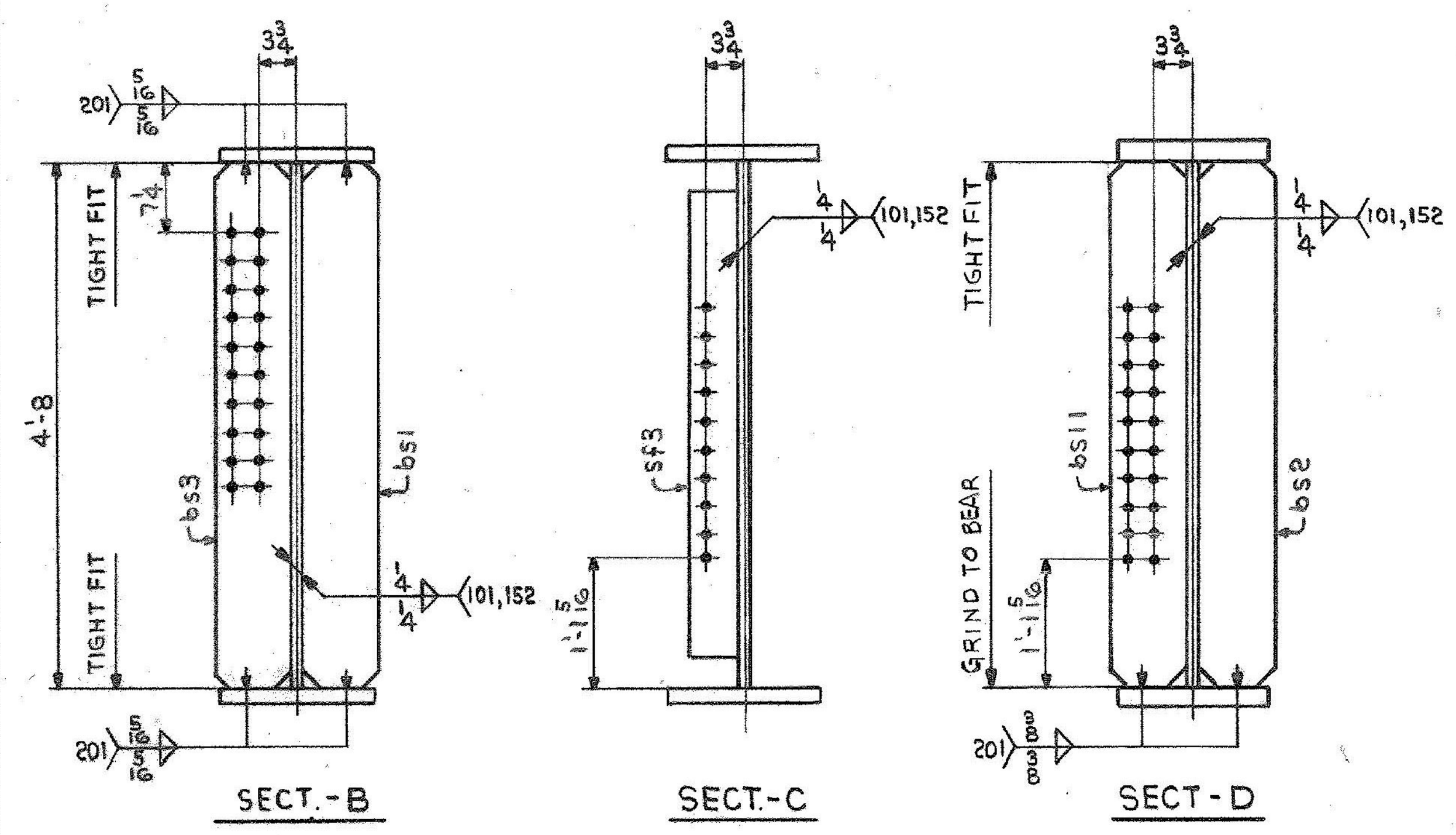
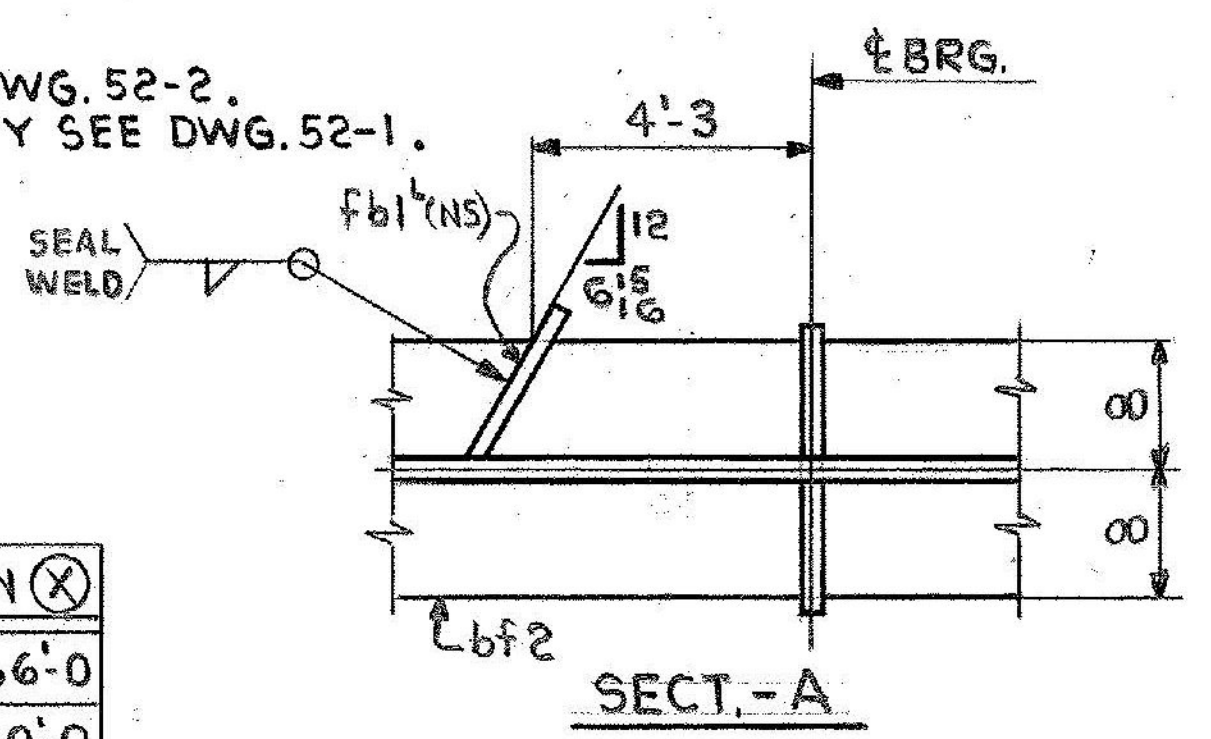
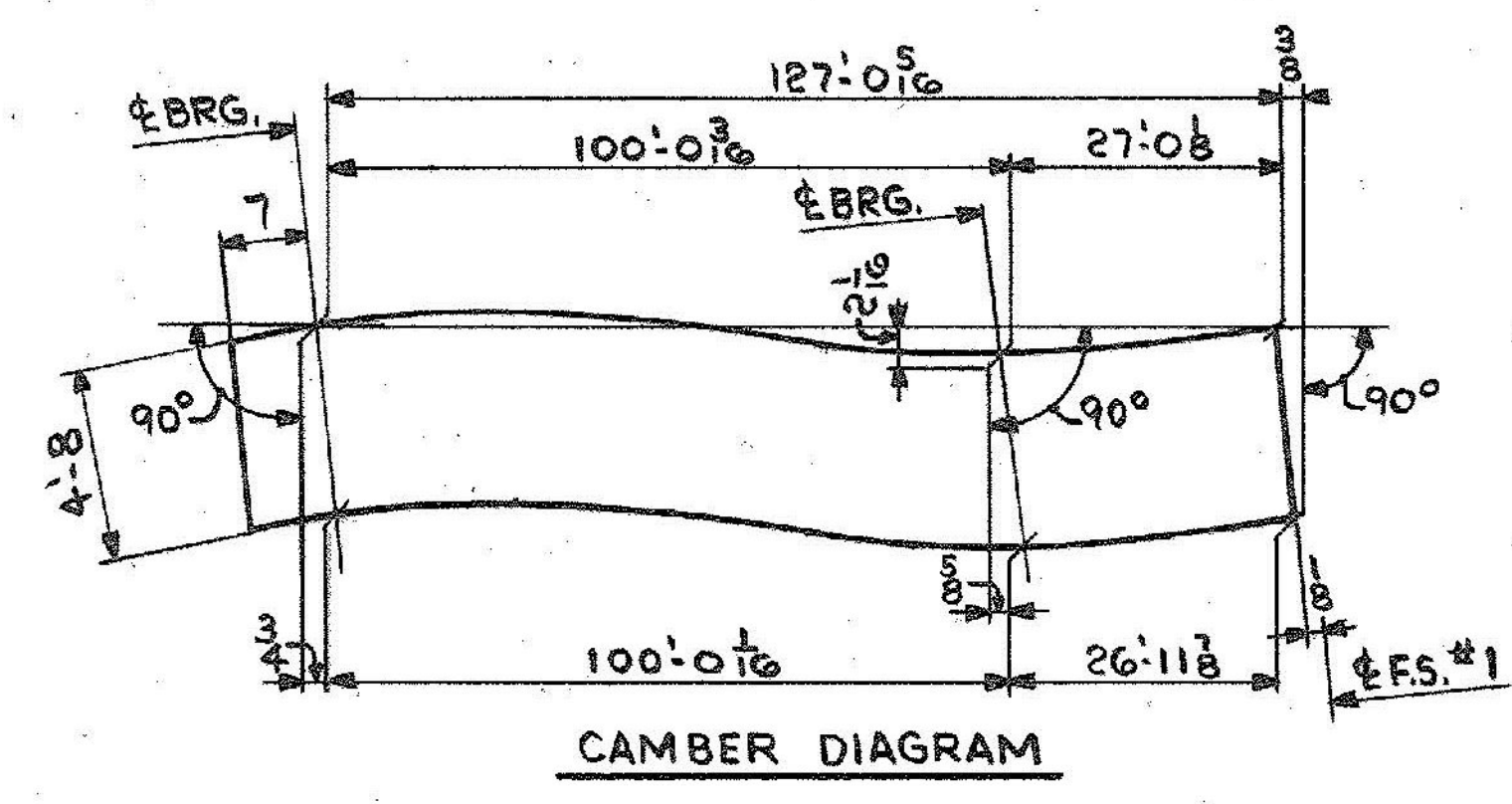


ONE GIRDER - G7A
 FOR GIRDER STANDARD DETAILS SEE DWG. 52-2.
 FOR WEB & FLG. & CUTTING & ASSEMBLY SEE DWG. 52-1.



DIMENSION (X)	
2'-0"	66'-0"
6'-0"	70'-0"
10'-0"	74'-0"
14'-0"	78'-0"
18'-0"	82'-0"
22'-0"	86'-0"
26'-0"	90'-0"
30'-0"	94'-0"
34'-0"	98'-0"
38'-0"	102'-0"
42'-0"	106'-0"
46'-0"	110'-0"
50'-0"	114'-0"
54'-0"	118'-0"
58'-0"	122'-0"
62'-0"	126'-0"



SHIP		BILL OF MATERIAL		JOB NO.		DRAWING NO.		REV.	
G7A ONE		GIRDER		4-44		52-3		△	
MARK	NO.	MARK	SHAPE	LENGTH	WT.	ITEM NO.	WT.	REMARKS	
	1	WP1	R 5/8 x 56 1/16	63 10	10.5872	1	8	CVN (No. 31732)	
	1	WP2	R 5/8 x 57 1/16	63 9 1/16	10.5872	1	8	CVN	
	1	tf1	R 3/8 x 16	80 7 5/16	10.2070	1	F 3840		
	1	tf2	R 1 3/4 x 16	47 0	10.7172	1	H 4478	CVN	
	1	bf1	R 3/8 x 16	80 6 1/16	10.1919	1	G 3839	CVN	
	1	bf2	R 1 3/4 x 16	47 0	10.7172	1	I 4478	CVN (No. 31732)	
	1	bs1	R 3/4 x 8	4 8	6.00	2	B 95		
	1	bs2	R 3/4 x 8	4 8	3.50	2	B 95		
	1	bs3	R 3/4 x 8	4 8	10.00	2	B 95		
	1	bs11	R 3/4 x 8	4 8		2	B 95		
	4	sf3	R 5/8 x 5	4 2	10.3119	2	E 177		
	1	fb1	R 4 x 3 3/4	0 10 3/8	3.00	2	G 3	32391#	
IT. NO. 506.91		BR. NO. 6		PROJ. NO. F020-1(10)					
FOR APPROVAL				FOR FILES & FIELD					
STEEL: ASTM		<input type="checkbox"/> A36 <input type="checkbox"/> A572 GR1 <input checked="" type="checkbox"/> A588 GR1		<input type="checkbox"/> Unless Noted					
WELDING ELECTRODE:		<input type="checkbox"/> E70 <input checked="" type="checkbox"/> See Welding Proc.		<input type="checkbox"/> None					
SHOP CONN:		<input type="checkbox"/> Bolted <input checked="" type="checkbox"/> Welded <input type="checkbox"/> None							
FIELD CONN:		<input checked="" type="checkbox"/> Bolted <input type="checkbox"/> Welded <input type="checkbox"/> None							
HOLES:		<input checked="" type="checkbox"/> 13/16 <input checked="" type="checkbox"/> 15/16 <input type="checkbox"/> Unless Noted <input type="checkbox"/> None							
PAINT:		<input checked="" type="checkbox"/> None <input type="checkbox"/> Shopcoat <input type="checkbox"/> Galv. After Fab. <input type="checkbox"/> As Noted							
SPECIAL PAINT: NONE									
SPECIAL CLEANING:		<input checked="" type="checkbox"/> Blast Clean <input type="checkbox"/> None		SSPC-SP6					
GIRDER - G7A									
APPROVED: 2-1-85		PRINT DIST.						JOB: U.S. ROUTE 4 E.B. OVER OTTER CREEK RUTLAND, VERMONT CUSTOMER: EARTH CONSTRUCTION DESIGNER: STATE OF VERMONT, AGENCY OF TRANS	
7 12-14-84 APP.		8 2-26-85 FAB.							
8 2-26-85 FAB.		8 2-26-85 FAB.							
REV. △		DRAWN: DW 11-30-84		ORDER NO.		JOB NO.		DRAWING NO. REV.	
				4-44		52-3		△	