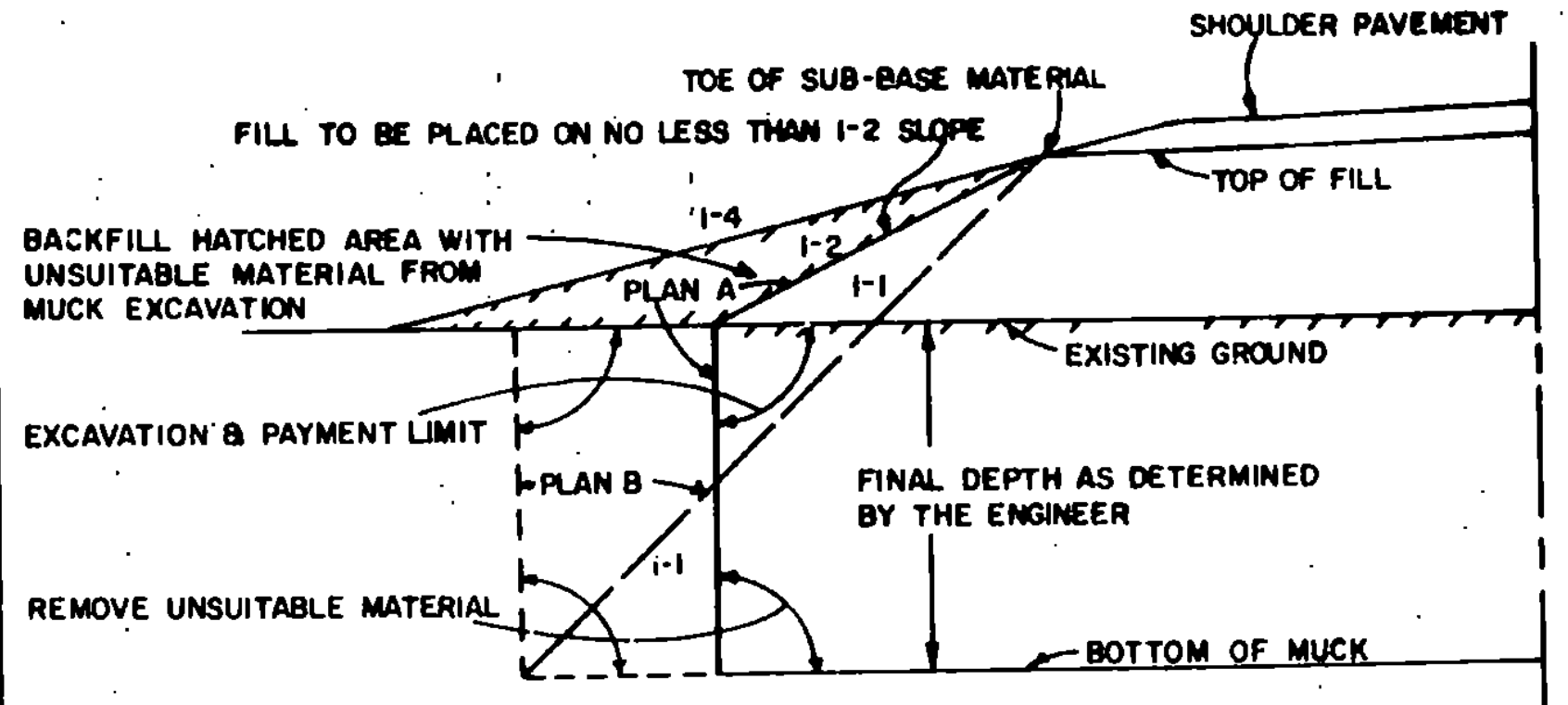
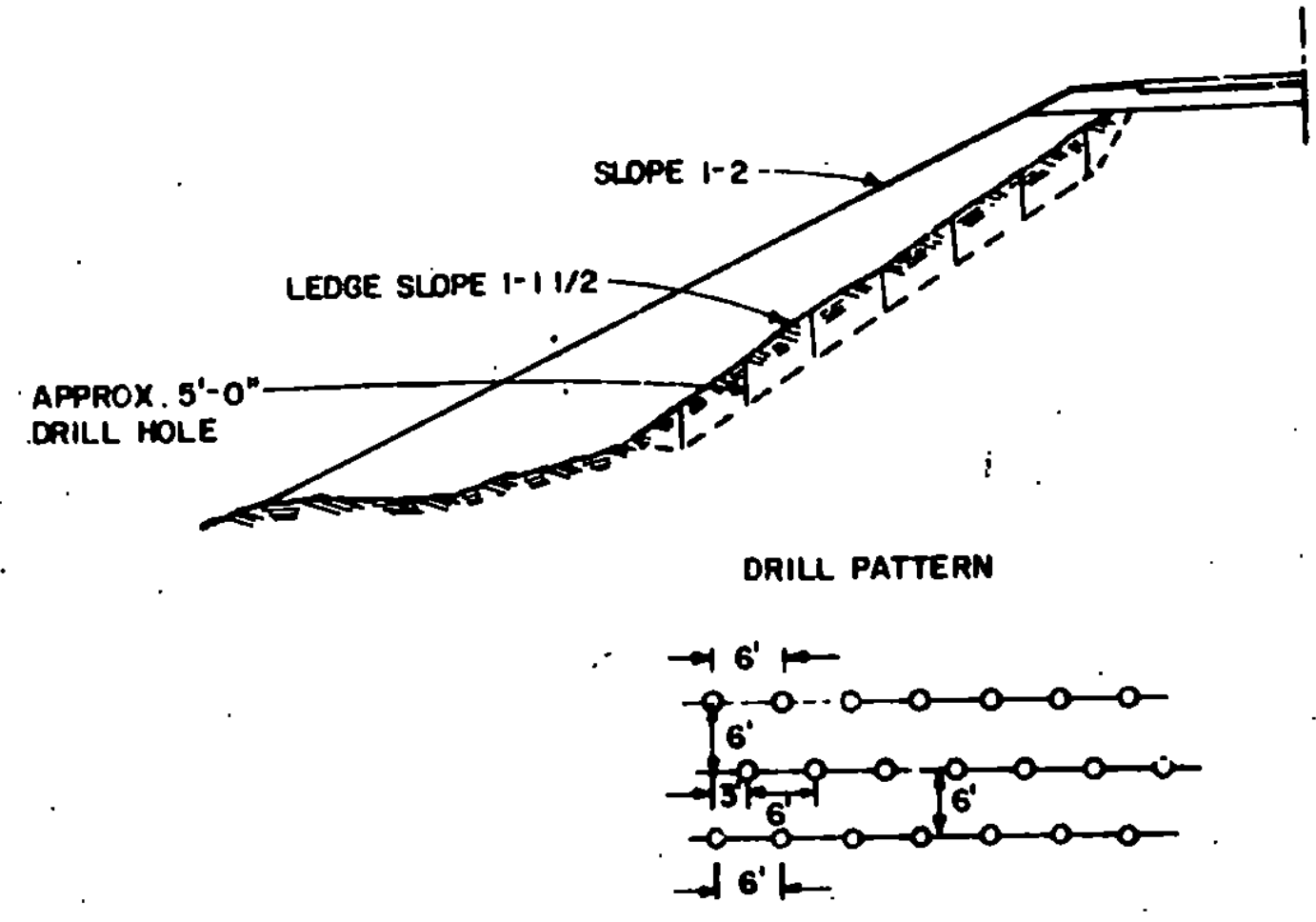


METHOD FOR CONSTRUCTING AN EMBANKMENT ON EARTH SLOPE



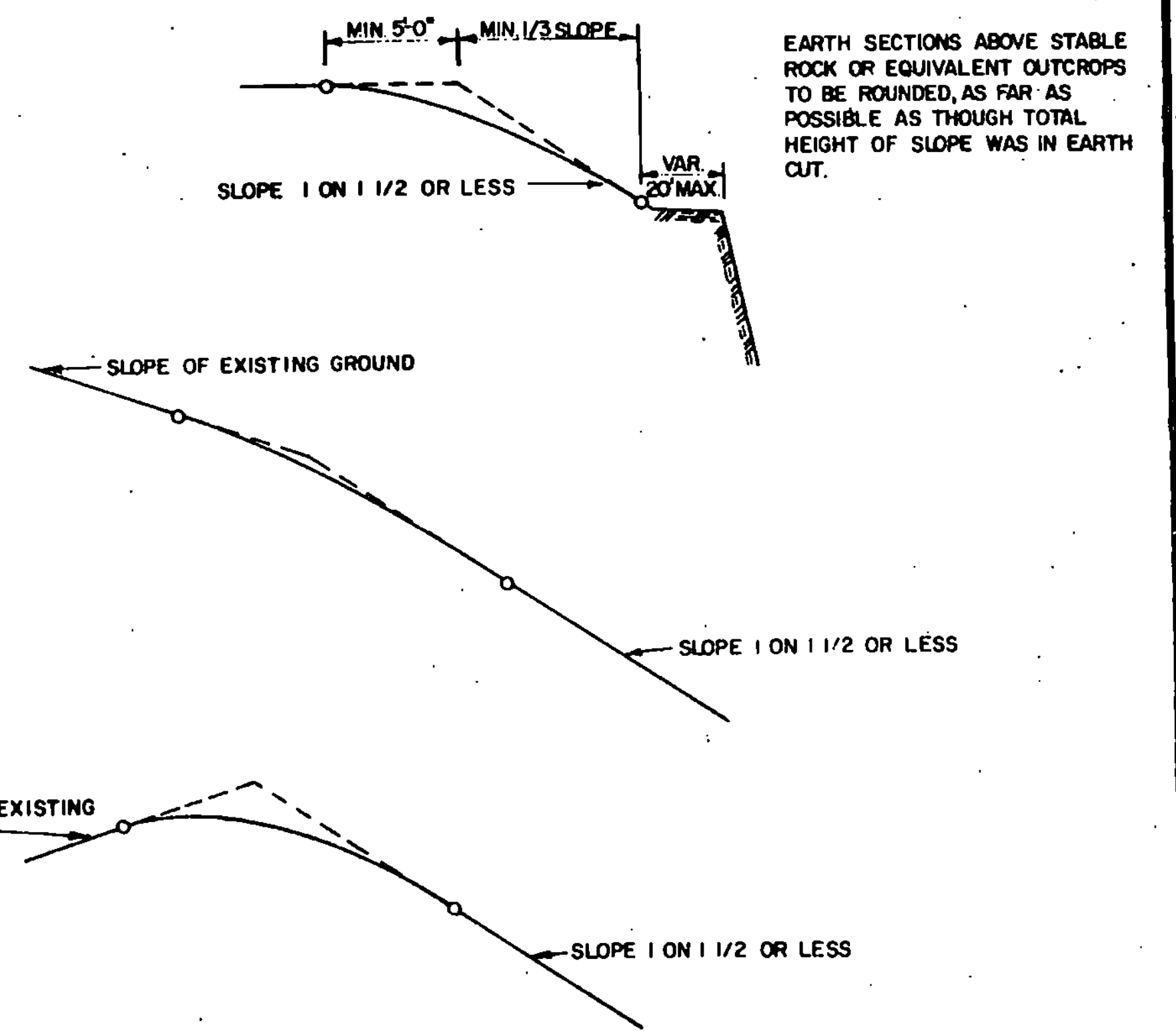
GENERAL NOTES:
 THE MUCK OR UNSUITABLE MATERIAL SHALL BE EXCAVATED TO THE NEAT LINES SHOWN ON THE PLANS OR AS DETERMINED BY THE ENGINEER.
 EXCAVATION AND PAYMENT LIMIT WILL BE DETERMINED FROM EITHER PLAN "A" OR PLAN "B", WHICHEVER PRODUCES THE GREATER WIDTH IN A GIVEN MUCK AREA.
 BACKFILL MATERIAL MUST MEET THE REQUIREMENTS SET FORTH UNDER MUCK EXCAVATION, SECTION 203

TYPICAL NEAT PAY LINES FOR MUCK EXCAVATION

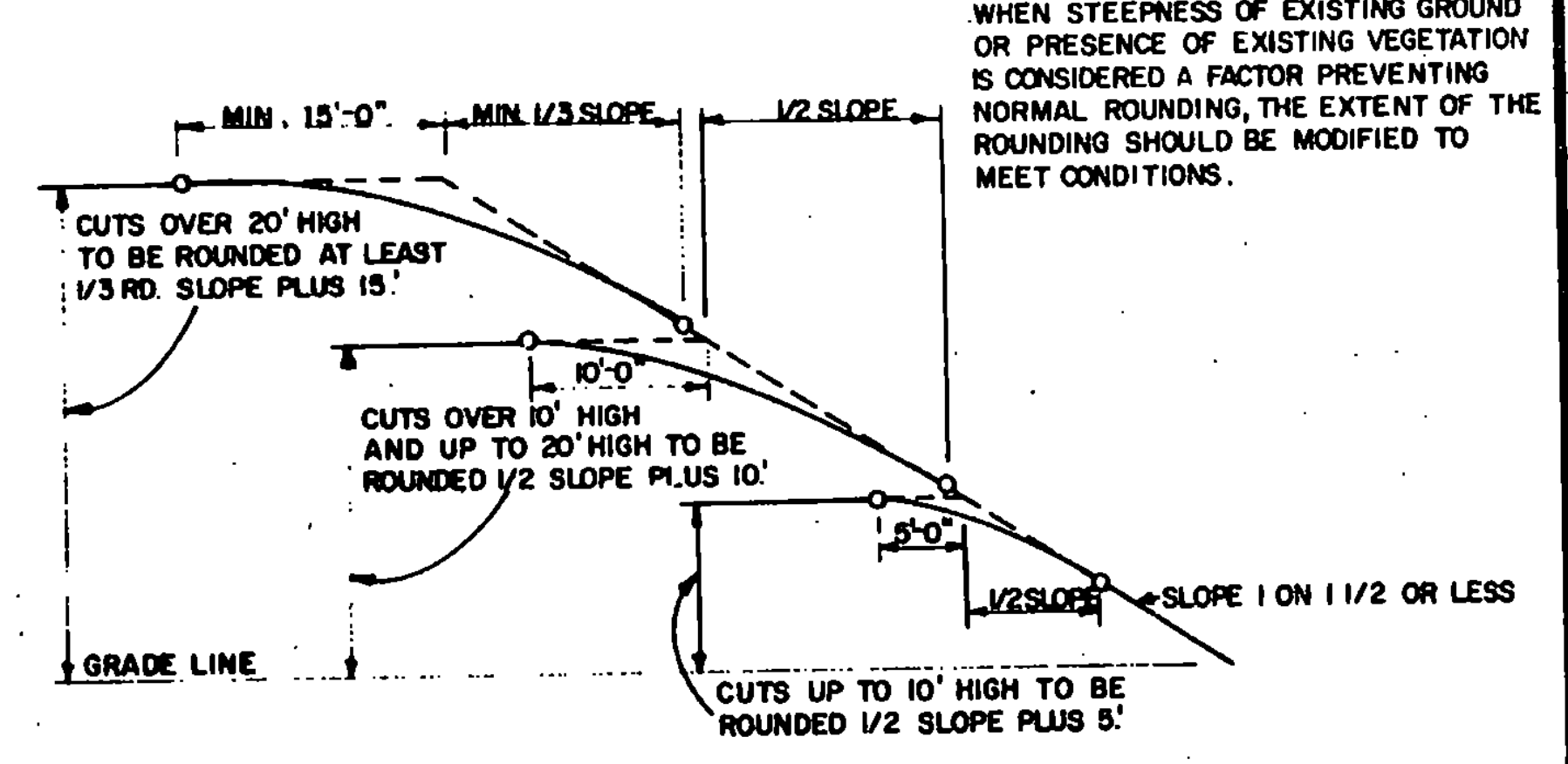


DRILLING AND BLASTING OF SOLID ROCK.
 PROCEDURE TO BE FOLLOWED WHEN LEDGE SLOPE ON OLD GROUND IS BETWEEN A 1 ON 1 AND A 1 ON 5 SLOPE.
 ALL HOLES TO BE APPROXIMATELY 5'-0" DEEP. HOLES TO BE IN ROWS, SPACED AND STAGGERED AS SHOWN IN DRILL PATTERN, OR AS DIRECTED BY THE ENGINEER, SEE SECTION 205.

A METHOD FOR PREPARING LEDGE SLOPE BEFORE CONSTRUCTING AN EMBANKMENT



SLOPES TO BE ROUNDED AS SHOWN IN ORDER TO ALLOW FOR PERSPECTIVE FORESHORTENING AS SEEN FROM THE ROAD AND SO THAT FINISHED SLOPES WILL BETTER SUPPORT VEGETATIVE COVER.
 ROUNDED TO MERGE WITH EXISTING GROUND SURFACE SO THAT NO HARD GRADE LINE WILL REMAIN WITHIN THE LINE OF SIGHT.



TYPICAL SLOPE ROUNDDING

REVISIONS AND CORRECTIONS

APPROVED:

DATE Dec 6, 1971

R.W. Arnold
 CHIEF ENGINEER
E. J. Stohney
 ASS. CHIEF ENGINEER
L. M. Lane
 HIGHWAY ENGINEER

**EMBANKMENT ON EARTH SLOPE
 EMBANKMENT ON ROCK SLOPE
 MUCK EXCAVATION
 TYPICAL SLOPE ROUNDDING**



**STANDARD
 B-5**