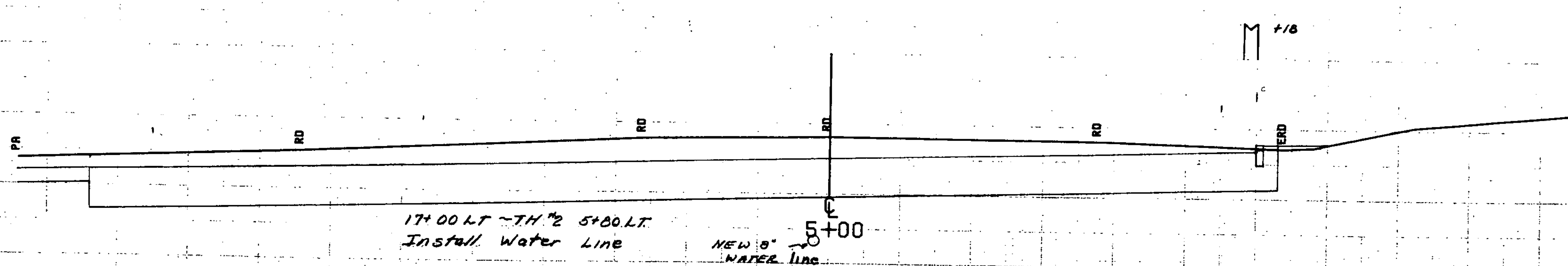
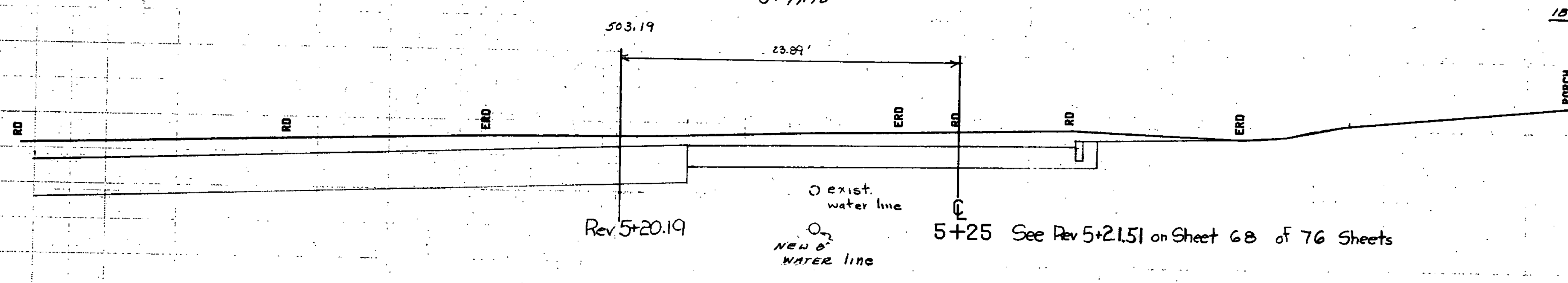
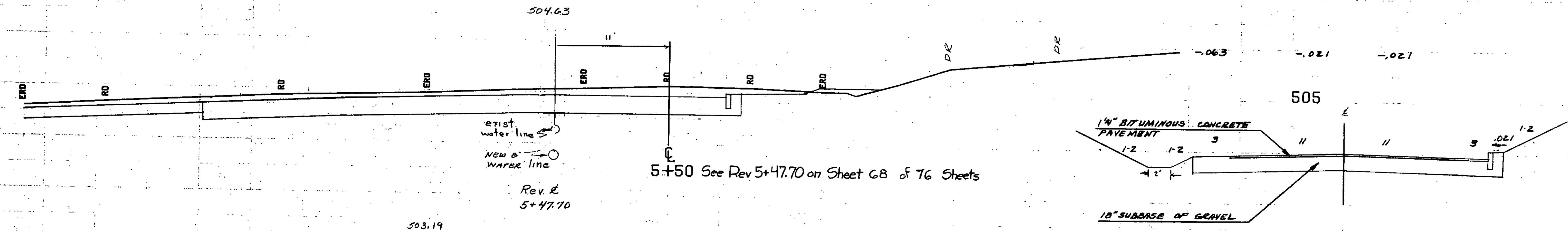
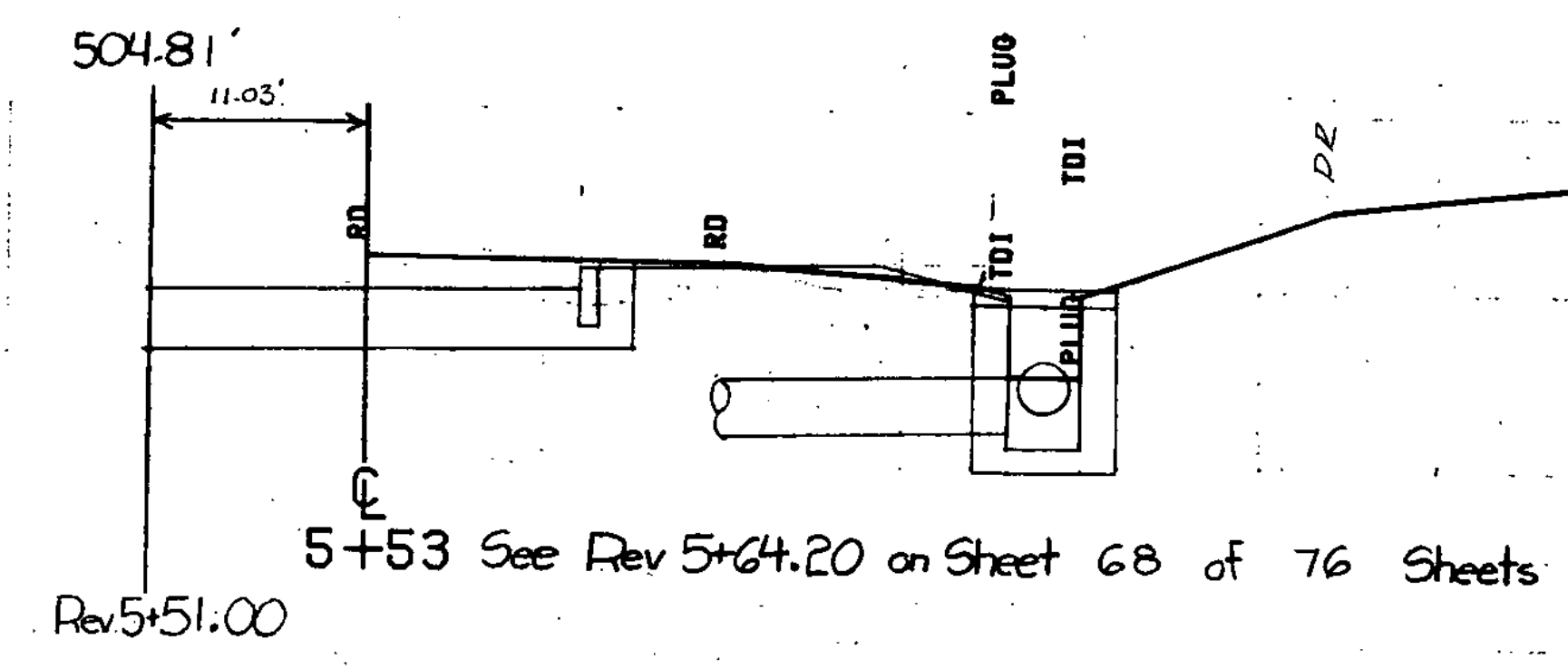
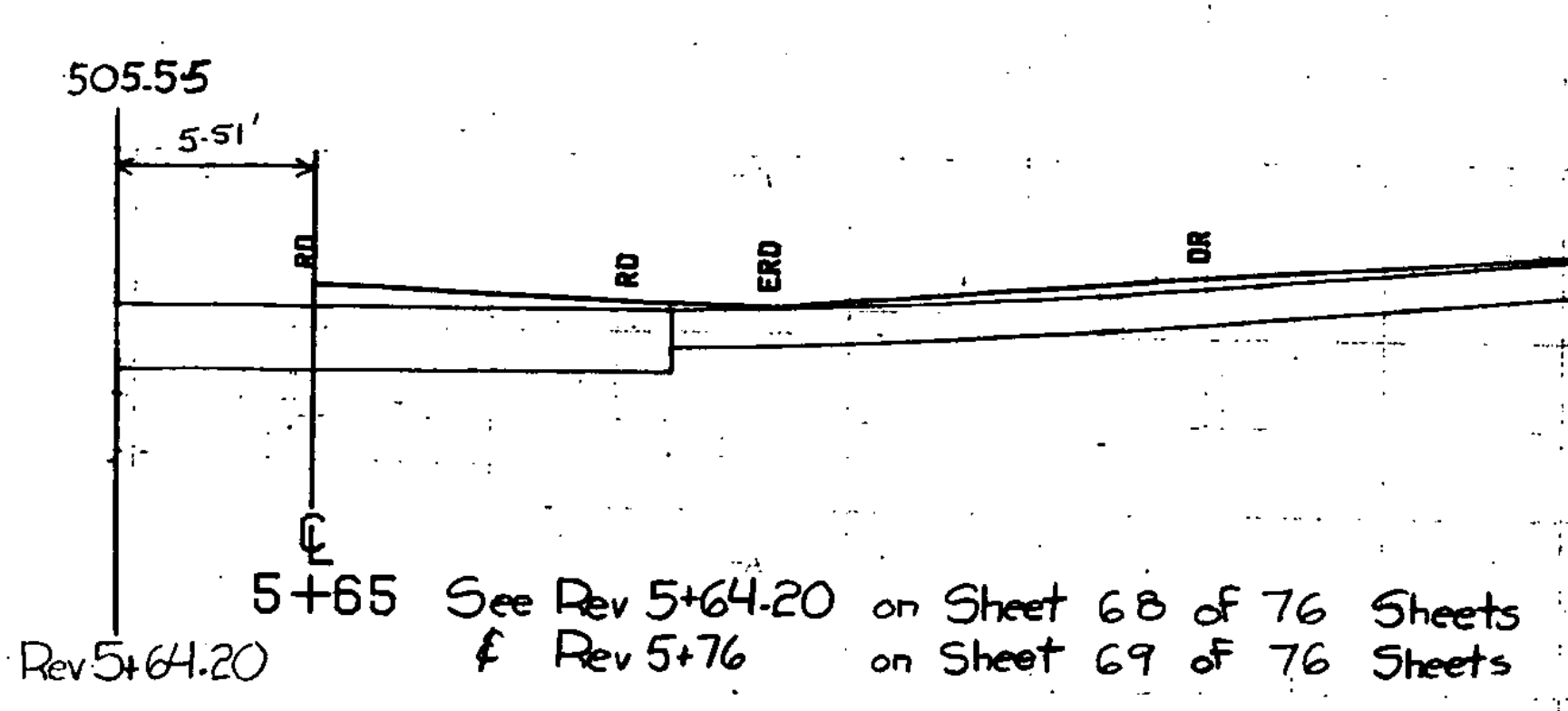


DRIVE TYPICAL  
0 5 10  
Scale in Feet



500  
Town Highway #2  
FROM STA. 5+00 TO STA. 5+65  
PROJECT NAME HINEBURG TH2  
NO. F021-1(8)8  
SURVEYED BY MOREAU  
SHEET 67 OF 76 SHEETS  
PLOTTED 10/27/89  
JULY 1990  
SCALE 1" = 40'