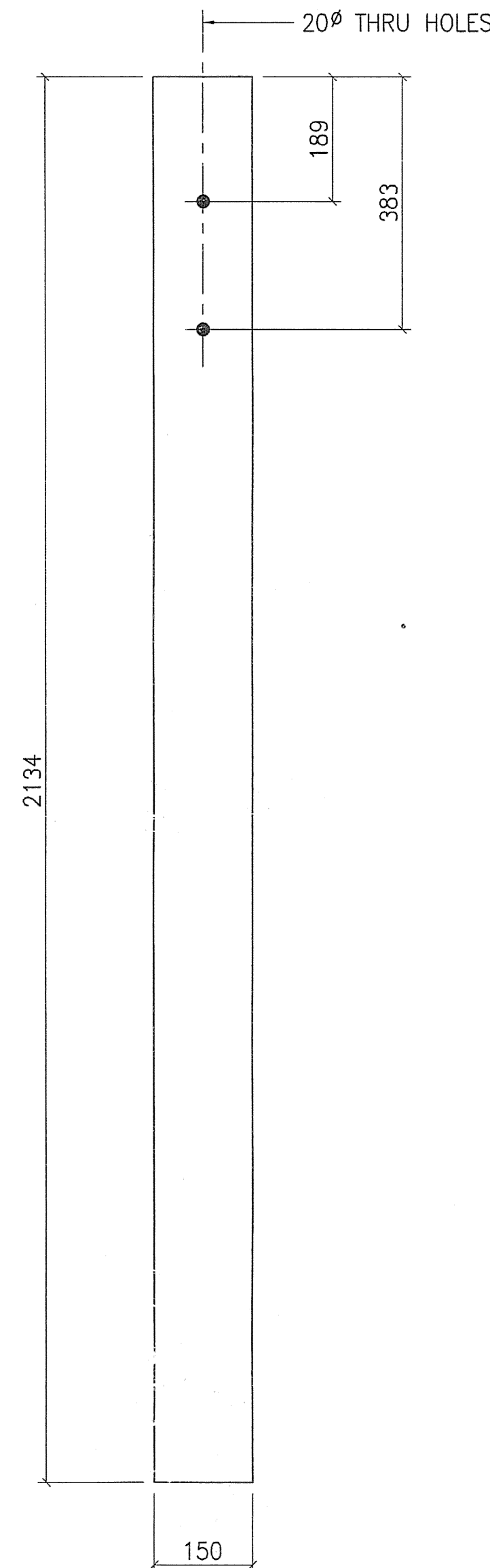
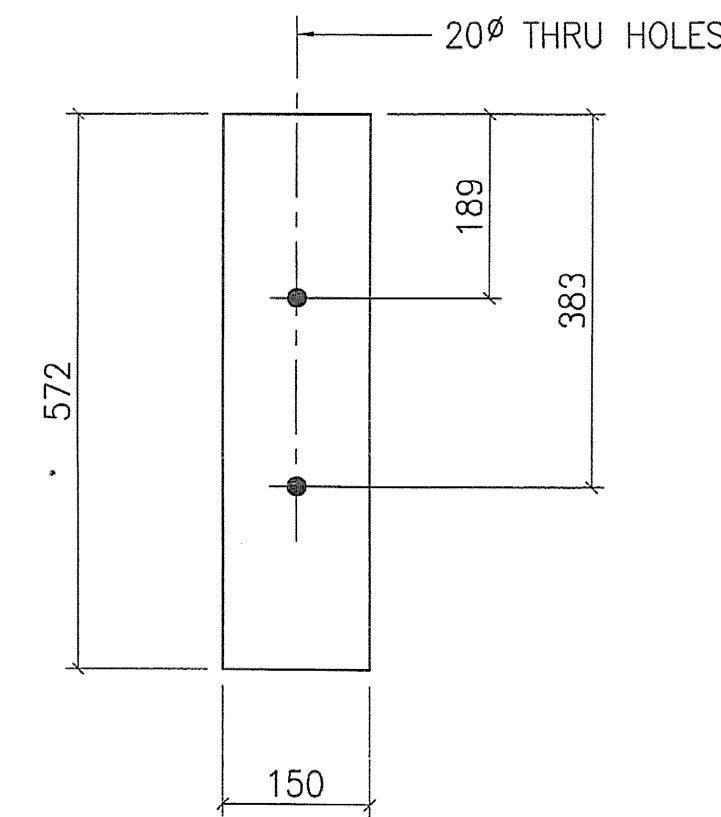


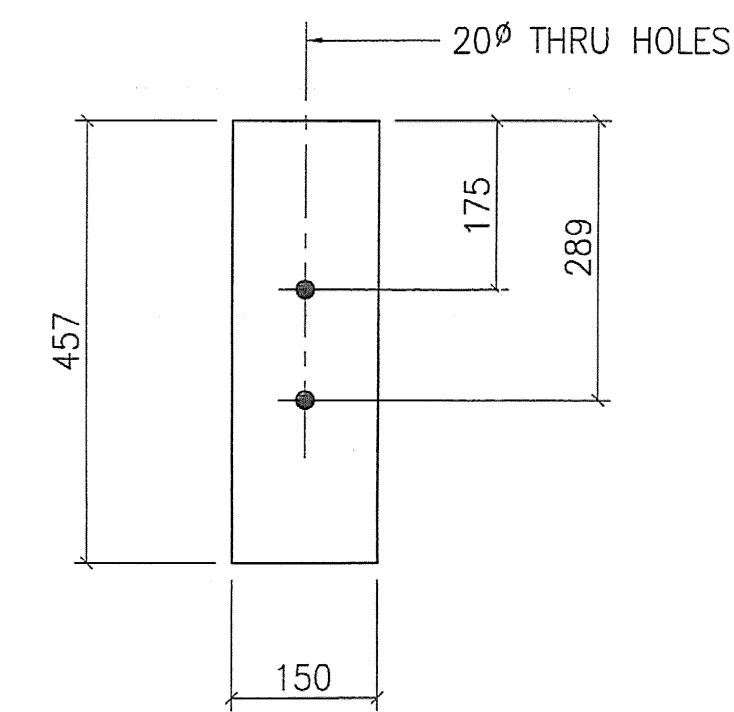
4 - THRIE BEAM TRANSITION PANELS - 1100A
 (THRIE TRANSITION PANEL)
 (REF: T-TRG12060-03)
 (MATERIAL: 12 GAUGE, AASHTO M180 A2)



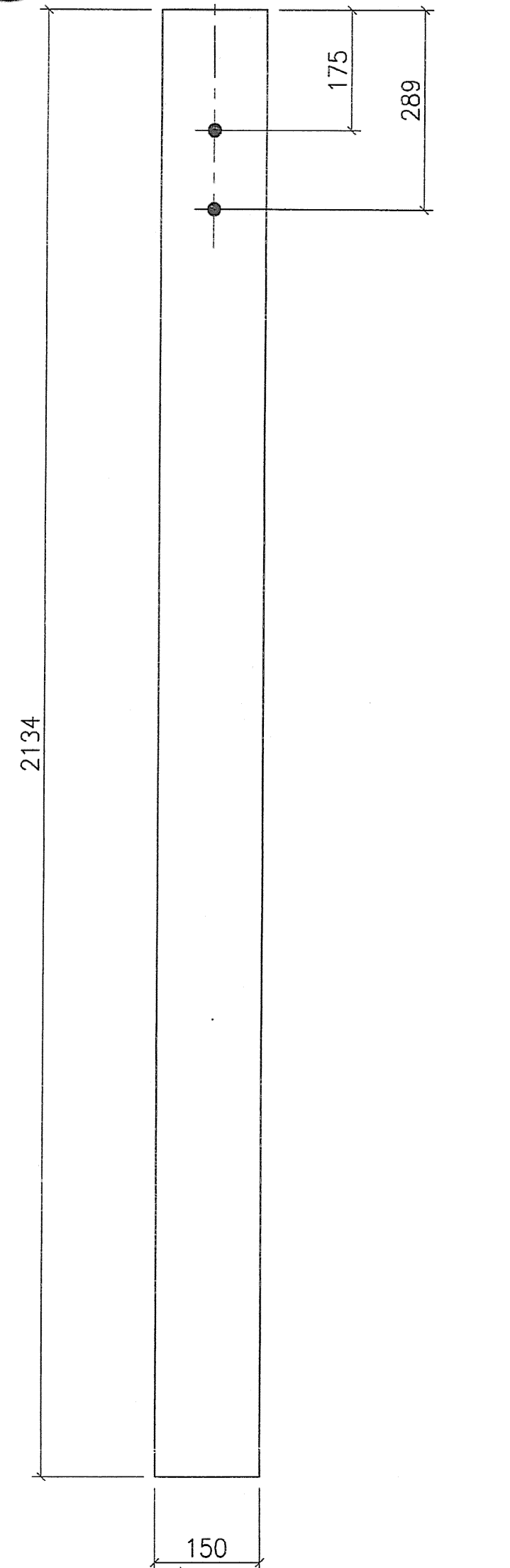
4 - APPROACH POSTS - 1100F
 (REF: WOP00608840-4R) (#1)
 (MATERIAL: 6 x 8 TIMBER (.60 CCA))



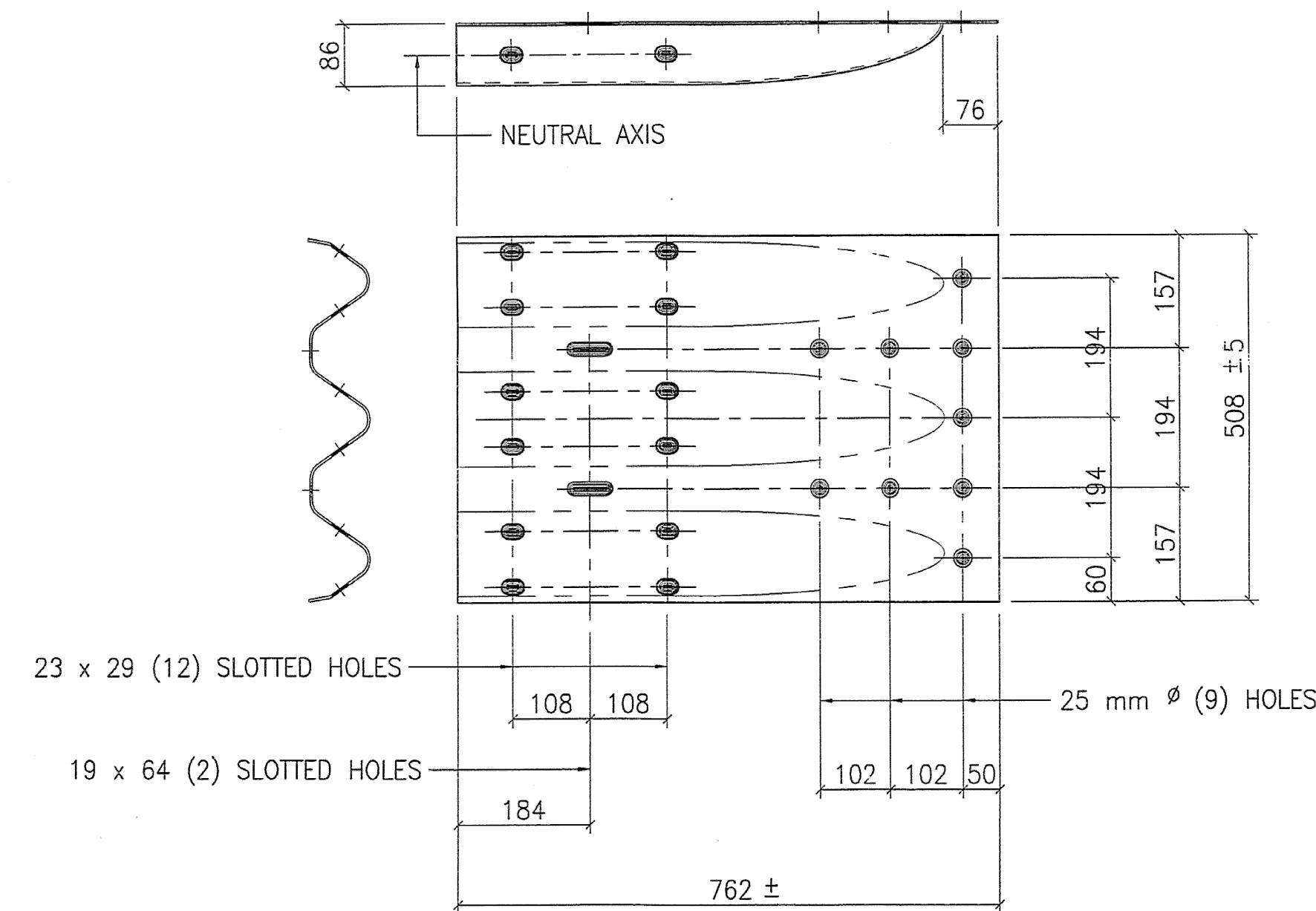
4 - APPROACH POST BLOCKS - 1100G
 (REF: WOBLO608225) (#1)
 (MATERIAL: 6 x 8 TIMBER (.60 CCA))



4 - APPROACH POST BLOCKS - 1100J
 (REF: WOBLO608180-TR) (#2)
 (MATERIAL: 6 x 8 TIMBER (.60 CCA))



4 - APPROACH POSTS - 1100H
 (REF: WOP00608840-TR) (#2)
 (MATERIAL: 6 x 8 TIMBER (.60 CCA))



4 - THRIE BEAM TERMINAL SECTIONS - 1100D
 (TERMINAL, GUARDRAIL - THRIE BEAM, END SHOE)
 (REF: T-FLSG10-M)
 (MATERIAL: 10 GAUGE, A570 GR. 50)

INCLUDE AND SUPPLY M16 MIGHM BUTT HEAD BOLTS (FOR SPLICES AND POST CONNECTION), NUTS, AND WASHERS FOR THE TRANSITION SECTION SHOWN ON THIS SHEET. (ALL HARDWARE SHALL BE GALVANIZED)

SHOP DRAWING REVIEW	
<input type="checkbox"/> REVIEWED AS REQUIRED BY THE CONSTRUCTION CONTRACT DOCUMENTS AND APPROVED, BUT ONLY FOR CONFORMANCE TO THE DESIGN CONCEPT OF THE WORK AND SUBJECT TO FURTHER LIMITATIONS AND REQUIREMENTS CONTAINED IN THE CONSTRUCTION CONTRACT DOCUMENTS.	<input type="checkbox"/> REJECTED
<input type="checkbox"/> CORRECTIONS OR COMMENTS MADE ON THE SHOP DRAWINGS DURING THIS REVIEW DO NOT RELIEVE CONTRACTOR FROM COMPLIANCE WITH REQUIREMENTS OF THE DRAWINGS AND SPECIFICATIONS. THIS CHECK IS ONLY FOR REVIEW OF GENERAL CONFORMANCE WITH THE DESIGN CONCEPT OF THE PROJECT AND GENERAL COMPLIANCE WITH THE INFORMATION GIVEN IN THE CONTRACT DOCUMENTS. THE CONTRACTOR IS RESPONSIBLE FOR CONFIRMING AND CORRELATING ALL QUANTITIES AND DIMENSIONS, SELECTING FABRICATION PROCESSES AND TECHNIQUES OF CONSTRUCTION, COORDINATING HIS WORK WITH THAT OF ALL OTHER TRADES, AND PERFORMING HIS WORK IN A SAFE AND SATISFACTORY MANNER.	<input type="checkbox"/> REVISE AND RESUBMIT
<input type="checkbox"/> FURNISH AS CORRECTED	
VHB Vanasse Hangen Brustlin, Inc. Engineers, Planners, and Scientists Six Bedford Farms, Kittery Rd. Bedford, NH 03110 603 644 0888	
Job Number: 50911	Reviewed By: SWH
Date: 8-15-06	

MARK	QTY.	SIZE	LENGTH		ABM	REMARKS	WEIGHT	LINE #
			FT	IN				
1100A	4	12 GAUGE X 508	2223			AASHTO M180 A2		1
1100D	4	10 GAUGE X 508	762			A570 GR. 50		2
1100F	4	6 x 8 TIMBER	2134			(.60 CCA)		3
1100G	4	6 x 8 TIMBER	572			(.60 CCA)		4
1100H	4	6 x 8 TIMBER	2134			(.60 CCA)		5
1100J	4	6 x 8 TIMBER	457			(.60 CCA)		6

REV.	REMARKS	DATE	DWN	XO
A	FOR APPROVAL	8/5		

COATINGS	GALVANIZING <input checked="" type="checkbox"/> YES <input type="checkbox"/> NO	MASKING REQ'D <input type="checkbox"/> YES <input checked="" type="checkbox"/> NO	DRAWN BY	DATE
SURFACE PREP:	HOT DIPPED GALVANIZED		G. Baire	5/31/06
PRIME COAT:			CHKD BY	DATE
SECOND COAT:			J. Moody	6/5/06
TOP COAT:			JOB COORDINATOR	
DESCRIPTION: GUARDRAIL DETAILS - TRANSITION, END & POST				
JOB: MISSISSQUOI BRIDGE RAILING - BRIDGE NO. 2				
VT. ROUTE 78 OVER MISSISSQUOI BAY - SWANTON, VERMONT				
ALBURY - SWANTON, VERMONT				
CUSTOMER: CIANBRO CORPORATION				

ENG. REF. DRG. No. SS48, SS50, SKETCH, 980 & S-90173 E - DRG REF: -

CIANBRO PEOPLE
 Fabrication & Coating Corp. PRIDE
 Pittsfield, Maine - Baltimore, Maryland PROGRESS