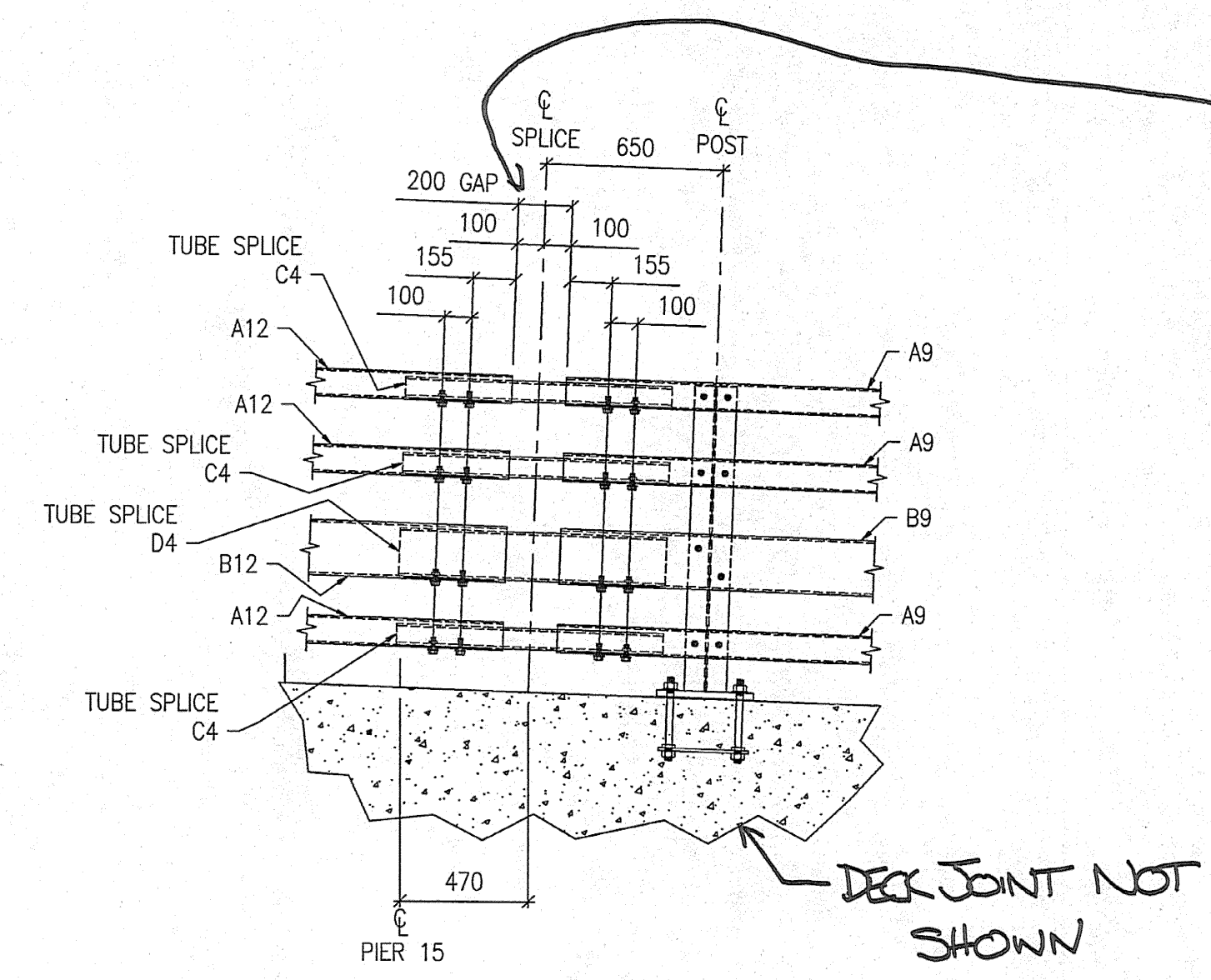
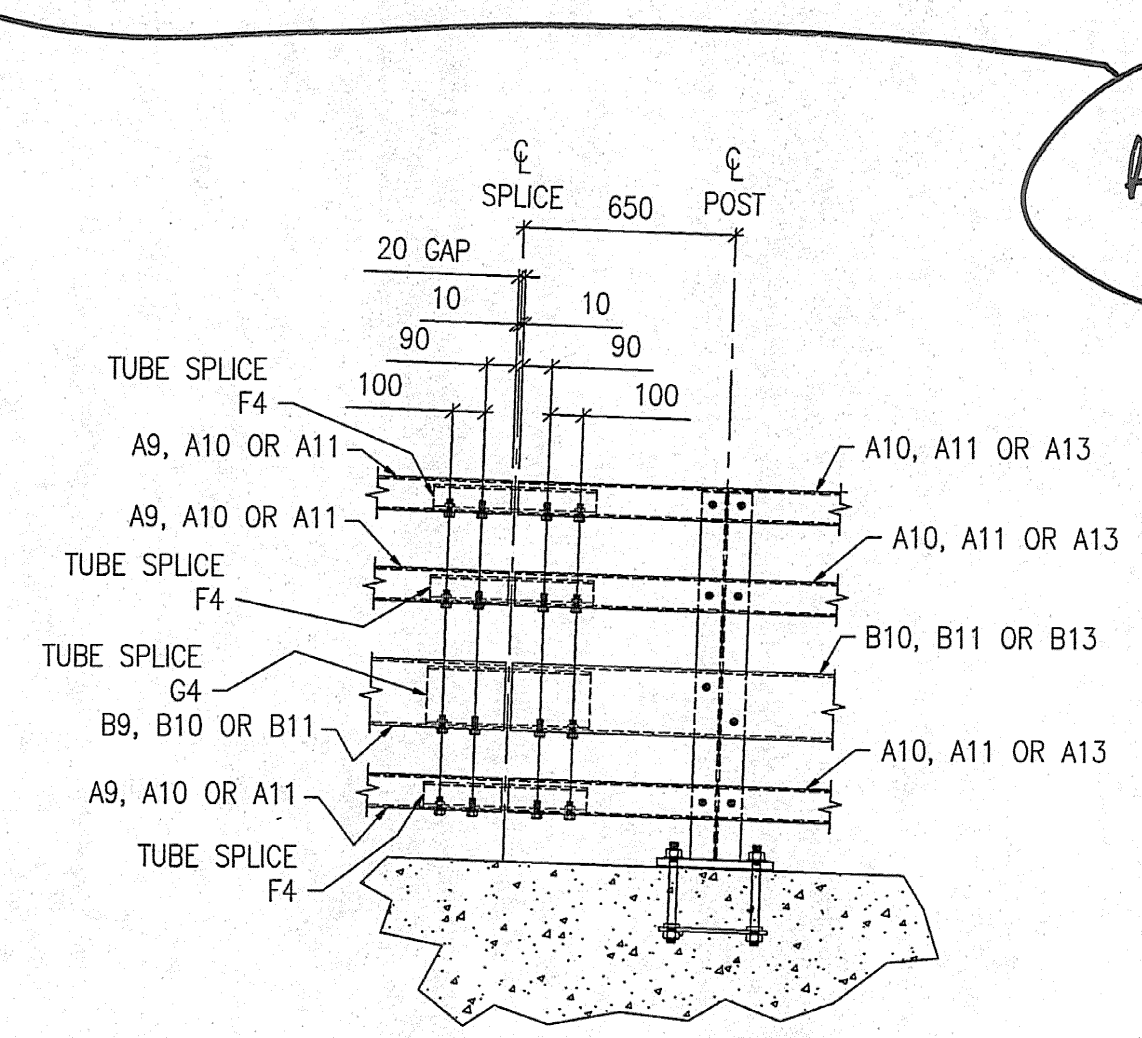


BRIDGE RAIL LAYOUT ~ UNIT 3 (SPANS 15 THRU 23)

FOR APPROVAL

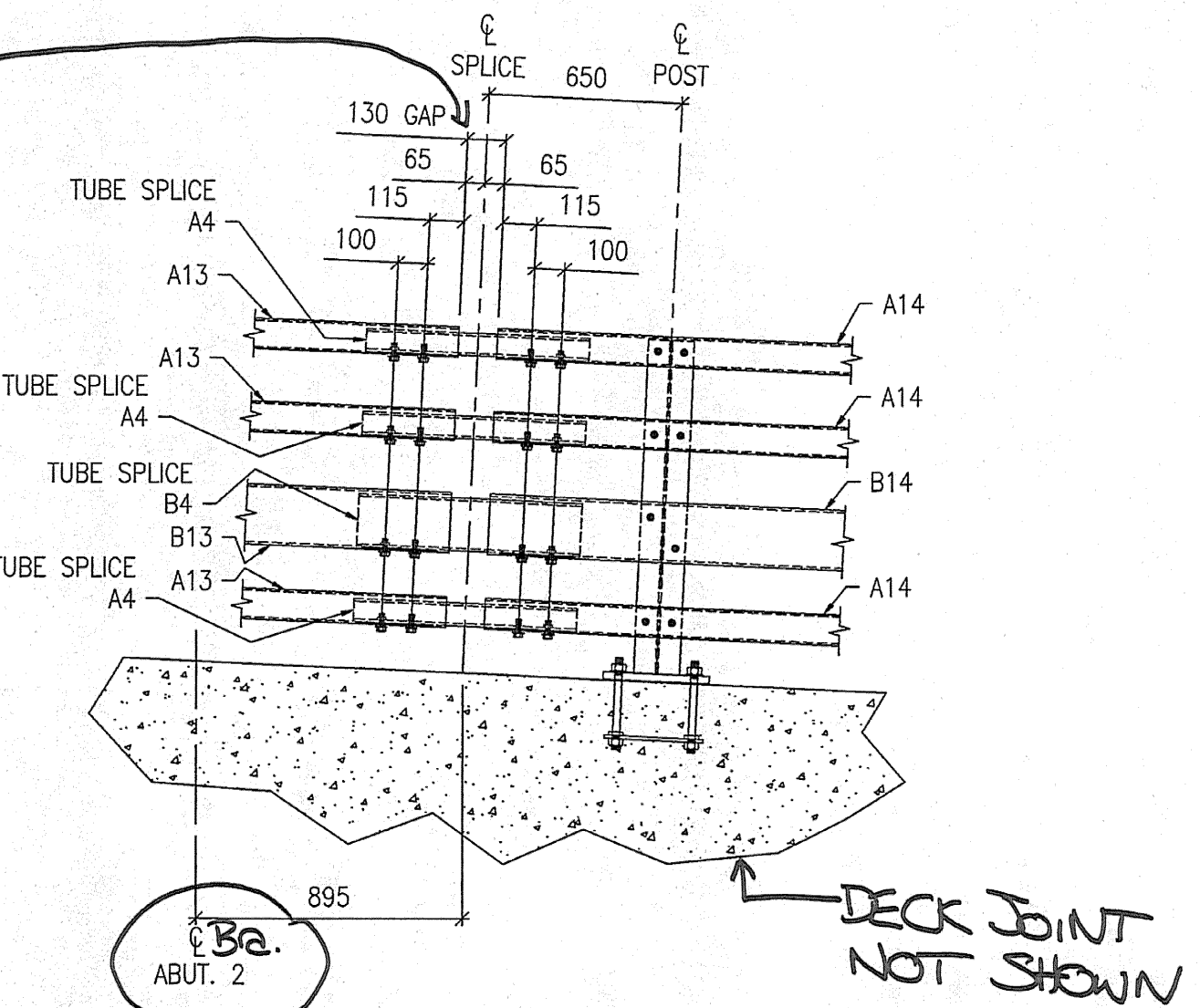


DETAIL 1
RAIL SPLICE @ PIER 15

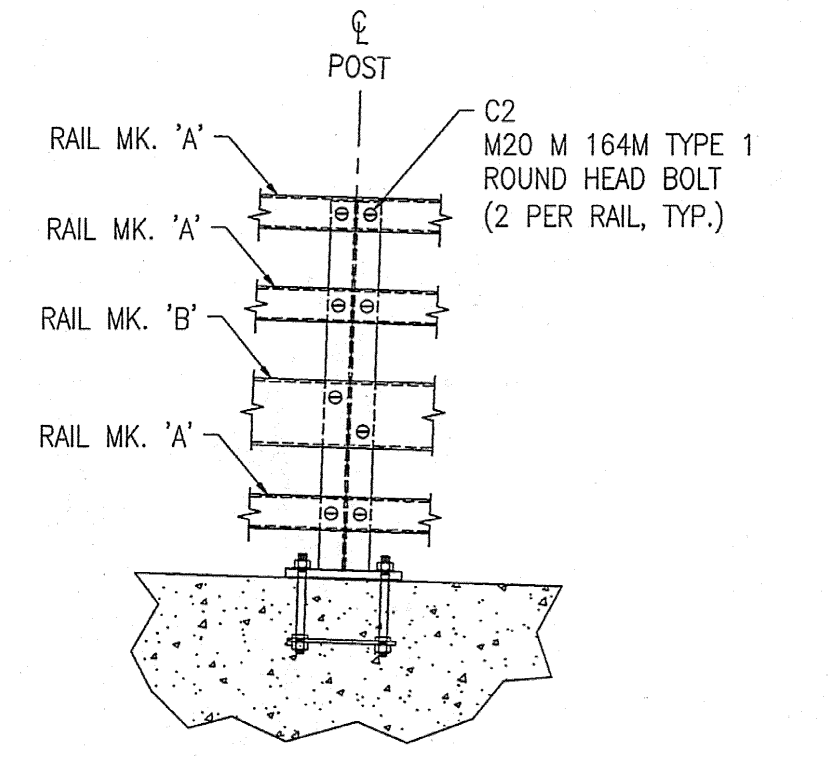


DETAIL 2
TYPICAL RAIL SPLICE

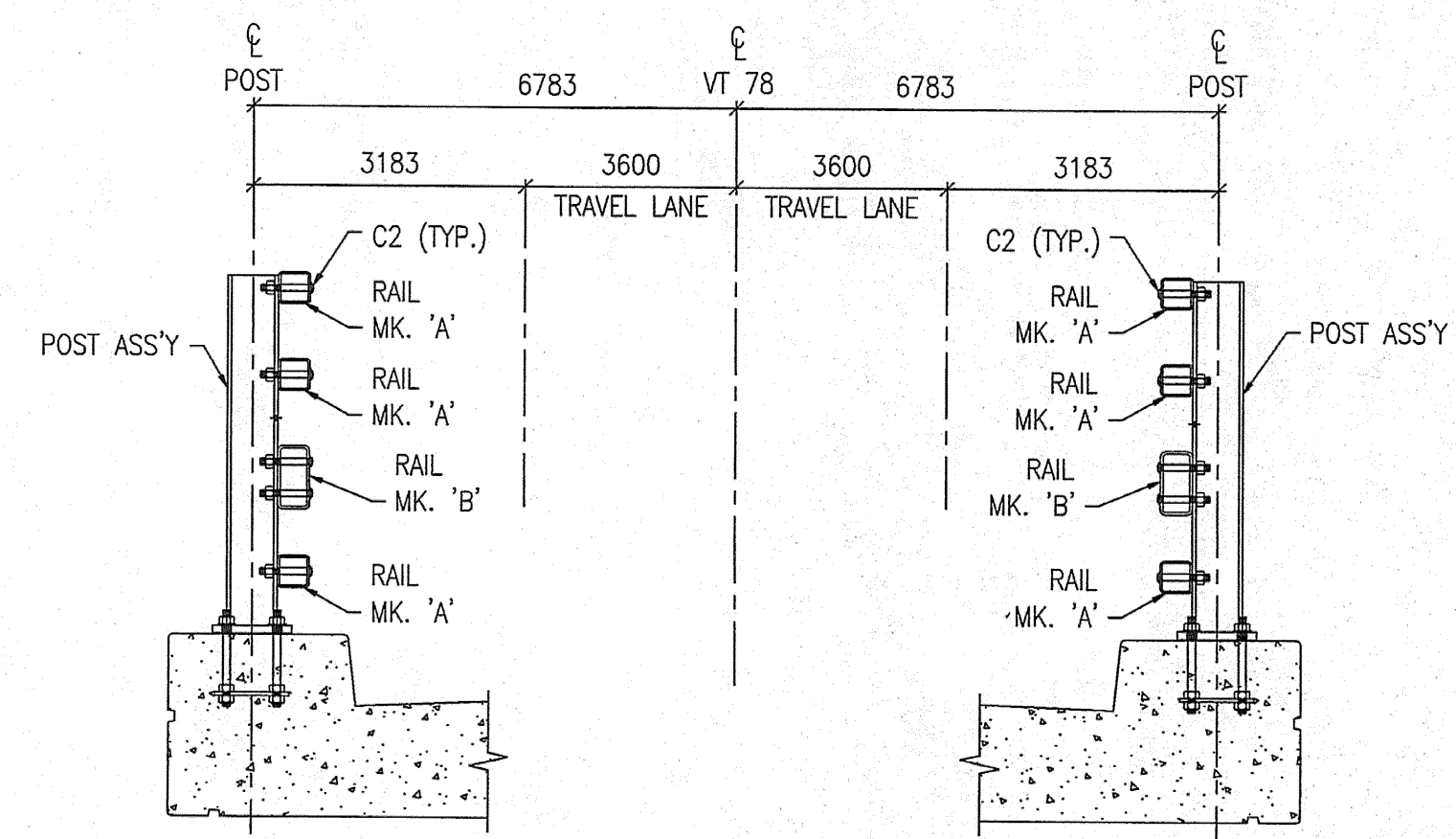
ADD "@ 7°C"



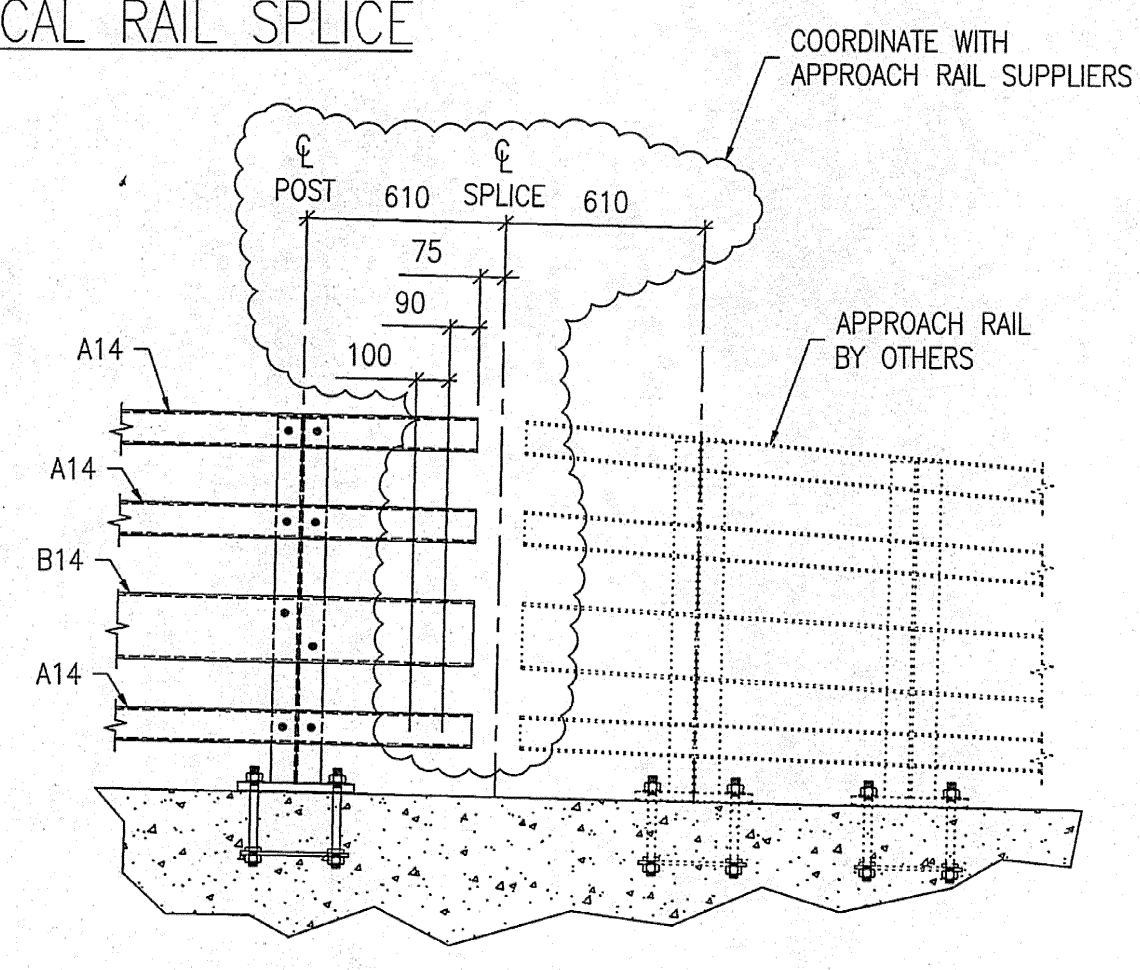
DETAIL 3
RAIL SPLICE @ ABUTMENT 2



TYPICAL RAIL TO POST CONNECTION



SECTION A-A



DETAIL 4
RAIL SPLICE @ APPROACH RAIL

SHOP DRAWING REVIEW

REVIEWED AS REQUIRED BY THE CONSTRUCTION CONTRACT DOCUMENTS AND APPROVED, BUT ONLY FOR CONFORMANCE TO THE DESIGN CONCEPT OF THE WORK, AND SUBJECT TO FURTHER LIMITATIONS AND REQUIREMENTS CONTAINED IN THE CONSTRUCTION CONTRACT DOCUMENTS.

REJECTED REVISE AND RESUBMIT FURNISH AS CORRECTED

CORRECTIONS OR COMMENTS MADE ON THE SHOP DRAWINGS DURING THIS REVIEW DO NOT RELIEVE CONTRACTOR FROM COMPLIANCE WITH REQUIREMENTS OF THE DRAWINGS AND SPECIFICATIONS. THIS CHECK IS ONLY FOR REVIEW OF GENERAL CONFORMANCE WITH THE DESIGN CONCEPT OF THE PROJECT AND GENERAL COMPLIANCE WITH THE INFORMATION GIVEN IN THE CONTRACT DOCUMENTS. THE CONTRACTOR IS RESPONSIBLE FOR: CONFIRMING AND CORRELATING ALL QUANTITIES AND DIMENSIONS; SELECTING FABRICATION PROCESSES AND TECHNIQUES OF CONSTRUCTION; COORDINATING HIS WORK WITH THAT OF ALL OTHER TRADES; AND PERFORMING HIS WORK IN A SAFE AND SATISFACTORY MANNER.

VHB Vanessa Hangan Braslin, Inc.
Engineers, Planners, and Scientists
500 Lincoln Plaza, Walling Rd.
Bedford, NH 02812 • 603.884.0800

Job Number: 50911
Reviewed By: [Signature]
Date: 7-7-05

NOTES:
1. WORK THIS DRAWING WITH E24 AND E25.

MAT'L : SEE GN-1		FIELD BOLTS		
HOLES : 22Ø (7/8") U.N.O.		GRADE: A325		
WELD :				
ELECTRODE : E70XX				
PREP : SEE GN-1				
PAINT : SEE GN-1				
REV.	DATE	BY	DESCRIPTION	CHK
1	11/01/05	JM	RE-ISSUED FOR APPROVAL	BH
0	18/06/04	JM	ISSUED FOR APPROVAL	BH
WORK NETC 4 RAIL-BRIDGE RAILING VT. ROUTE 78 OVER MISSISQUOI BAY ALBURG - SWANTON, VERMONT				
DRAWING BRIDGE RAIL LAYOUT - UNIT 3 (SPANS 15 THRU 23)				
SCALE: N.T.S.		SHEET E26		
DRAWN: JM		CORPORATION PITTSFIELD MAINE		JOB 050004
CHECK: BH				