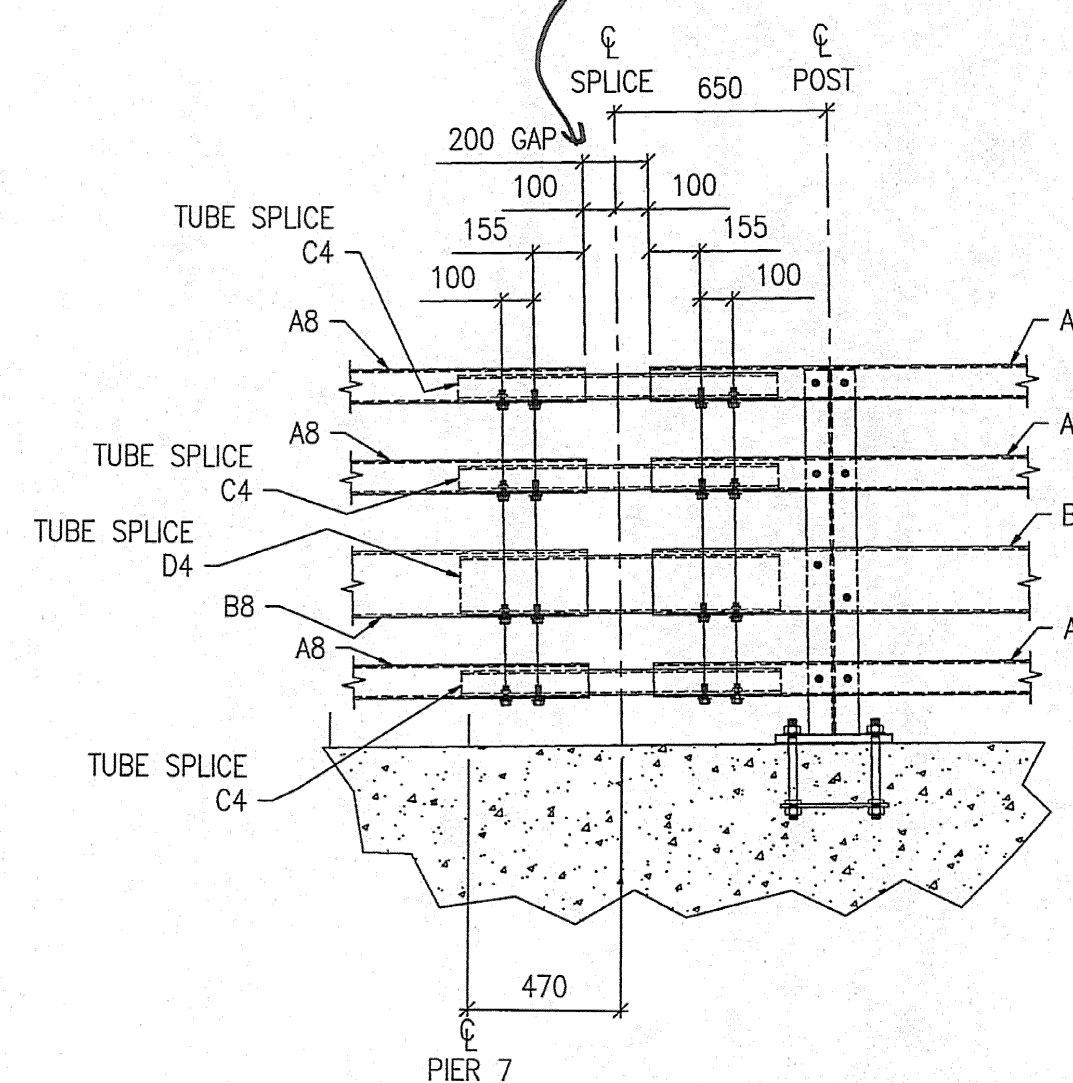
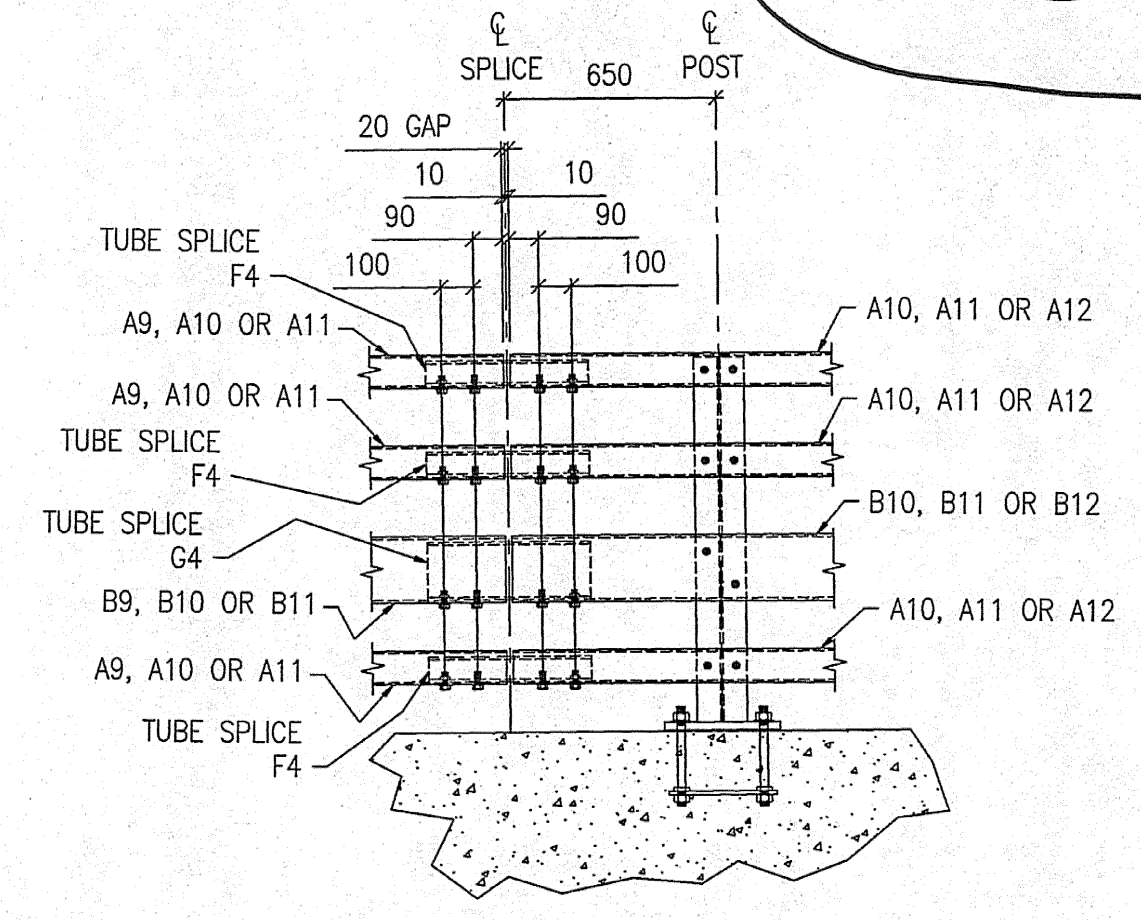


BRIDGE RAIL LAYOUT ~ UNIT 2 (SPANS 7 THRU 15)

FOR APPROVAL

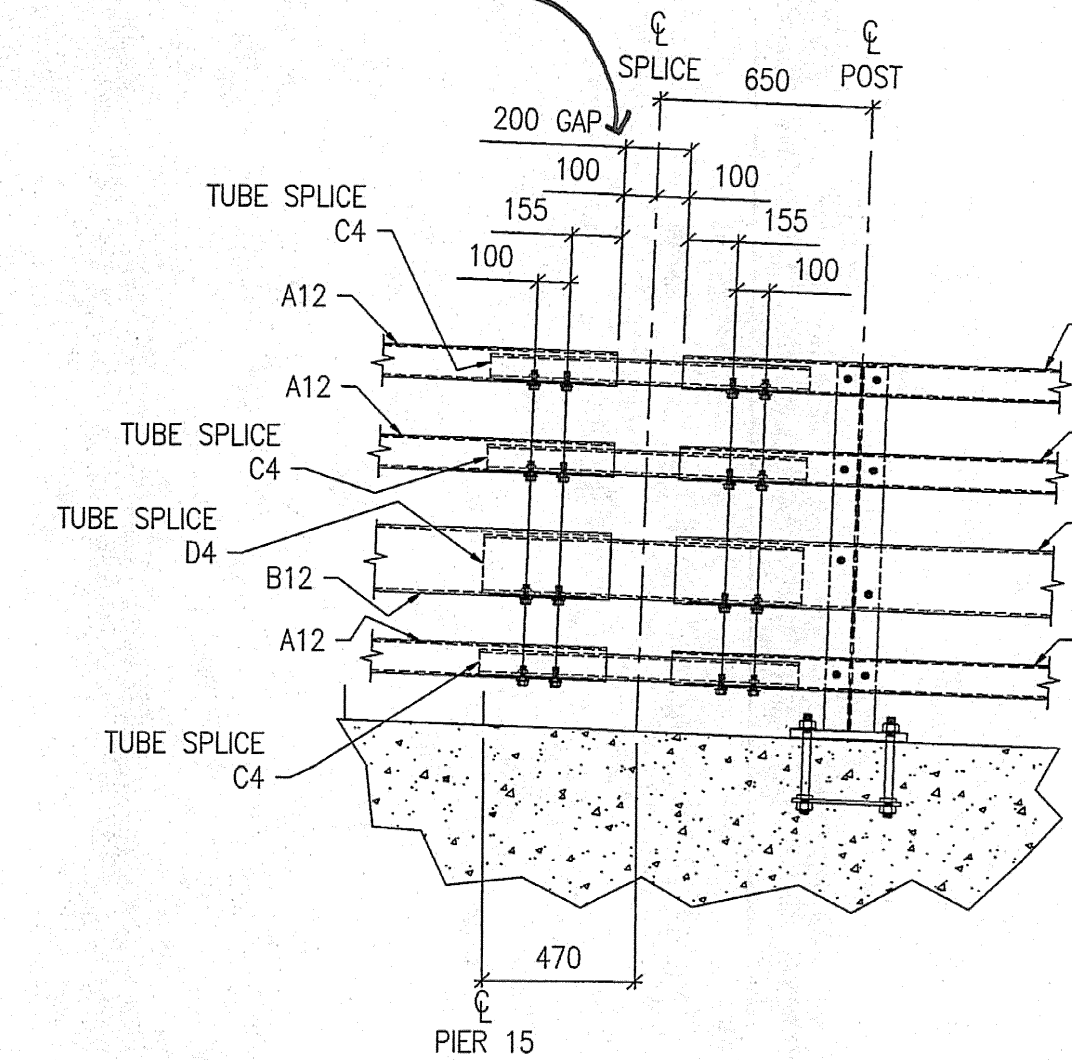


DETAIL 1
RAIL SPLICE @ PIER 7

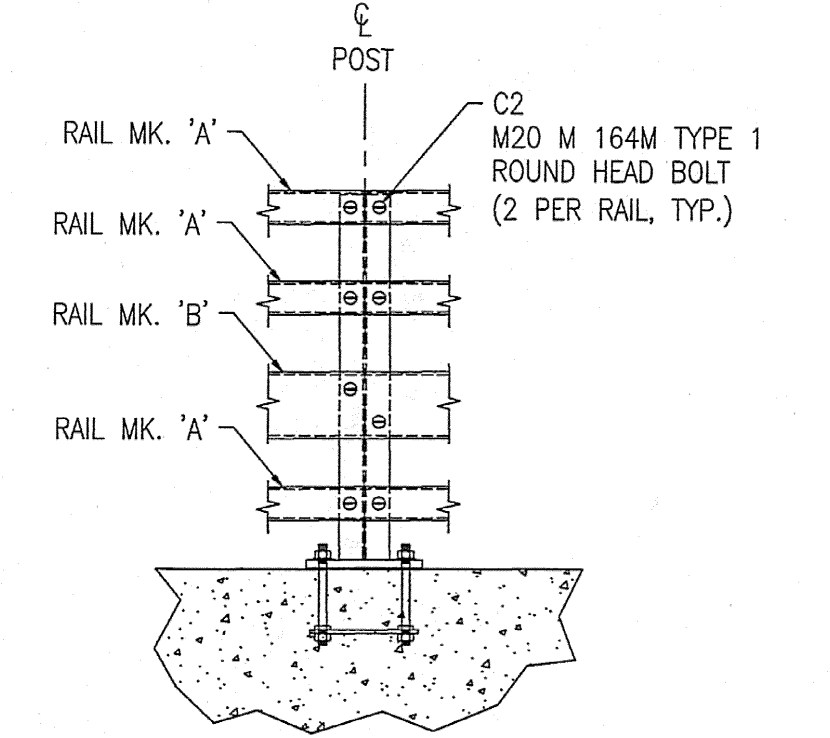


DETAIL 2
TYPICAL RAIL SPLICE

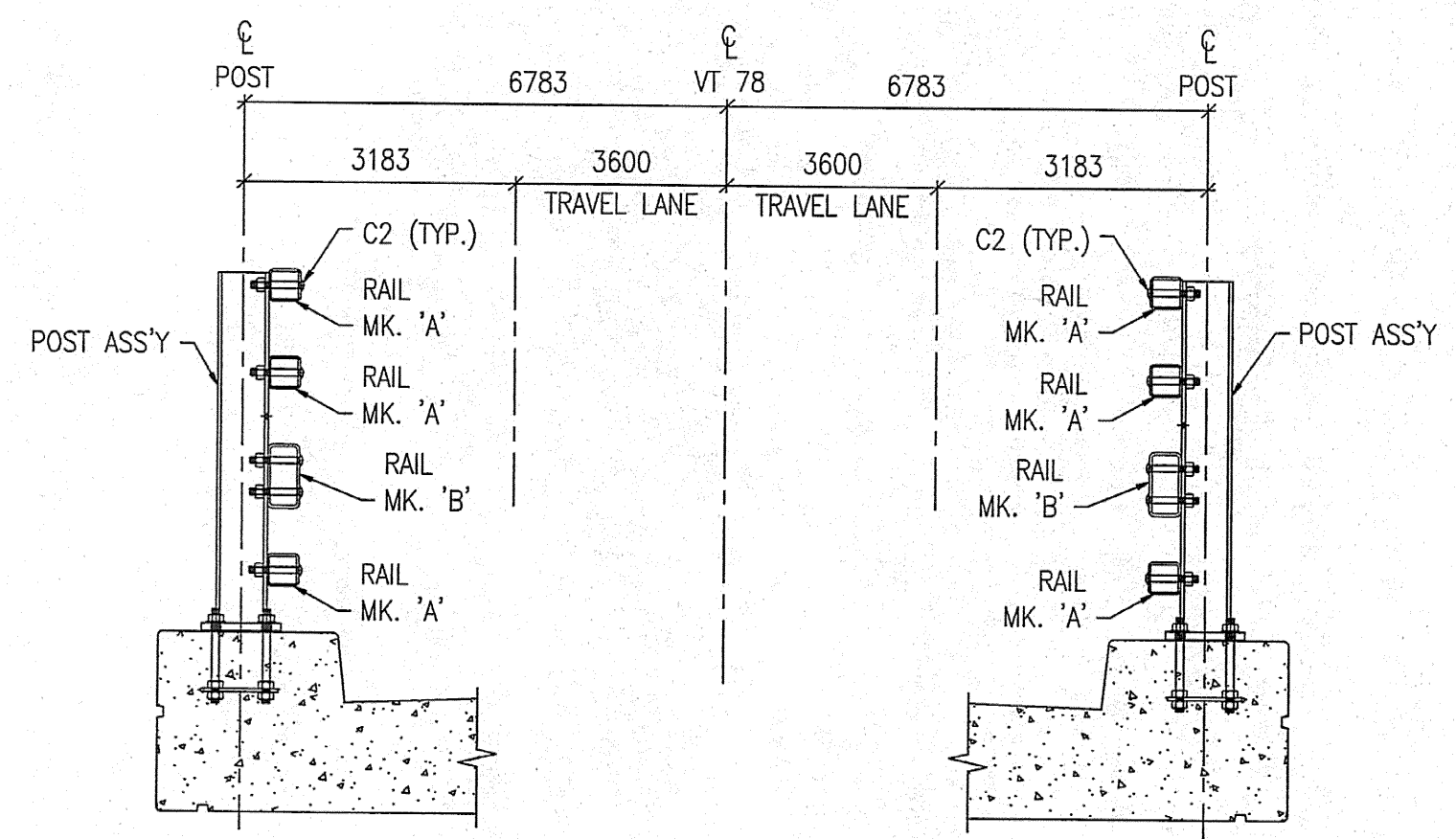
ADD "@70C"



DETAIL 3
RAIL SPLICE @ PIER 15



TYPICAL RAIL TO POST CONNECTION



SECTION A-A

SHOP DRAWING REVIEW

REVIEWED AS REQUIRED BY THE CONSTRUCTION CONTRACT DOCUMENTS AND APPROVED, BUT NOT FOR CONFORMANCE TO THE DESIGN CONCEPT OF THE WORK, AND SUBJECT TO REVISIONS BY THE CONTRACTOR AND REVISIONS BY THE CONSTRUCTION CONTRACT DOCUMENTS.

DATE: _____ TIME: _____

CORRECTIONS TO BE MADE: _____

REVISIONS TO BE MADE: _____

RELEVE CONTRACTOR FROM COMPLIANCE WITH REQUIREMENTS DURING THIS REVIEW DO NOT SPECIFICATIONS. THIS CHECKS ONLY FOR REVIEW OF GENERAL CONFORMANCE WITH THE CONTRACT DOCUMENTS. THE CONTRACTOR IS RESPONSIBLE FOR THE INFORMATION GIVEN BY THE CONTRACT DOCUMENTS, THE CONTRACTOR'S DESIGN, SELECTING FABRICATION PROCESSES AND CORRELATING ALL DIMENSIONS AND DIMENSIONS; SELECTING FABRICATION PROCESSES AND AND PERFORMING THE WORK WITHIN THE CONTRACT DOCUMENTS.

Job Number: 379200
Reviewed By: JMM
Date: 11/01/05

VHB
Vermont Highway Bridge
Engineers, Planners and Constructors
80 Chittenden Farm, Colchester, VT 05445
Phone: 802.253.1100 Fax: 802.253.1101

NOTES:
1. WORK THIS DRAWING WITH E24 AND E26.

MAT'L : SEE GN-1		FIELD BOLTS		
HOLES : 22Ø (7/8") U.N.O.		GRADE: A325		
WELD :				
ELECTRODE : E70XX				
PREP : SEE GN-1				
PAINT : SEE GN-1				
REV.	DATE	BY	DESCRIPTION	CHK
1	11/01/05	JM	RE-ISSUED FOR APPROVAL	BH
0	18/06/04	JM	ISSUED FOR APPROVAL	BH
WORK NETC 4 RAIL-BRIDGE RAILING VT. ROUTE 78 OVER MISSISSQUOI BAY ALBURG - SWANTON, VERMONT				
DRAWING BRIDGE RAIL LAYOUT - UNIT 2 (SPANS 7 THRU 15)				
SCALE: N.T.S.		SHEET E25 Δ		
DRAWN: JM		JOB 050004		
CHECK: BH				