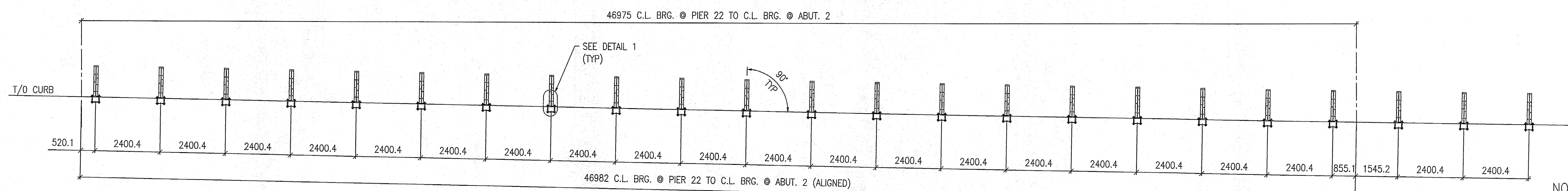
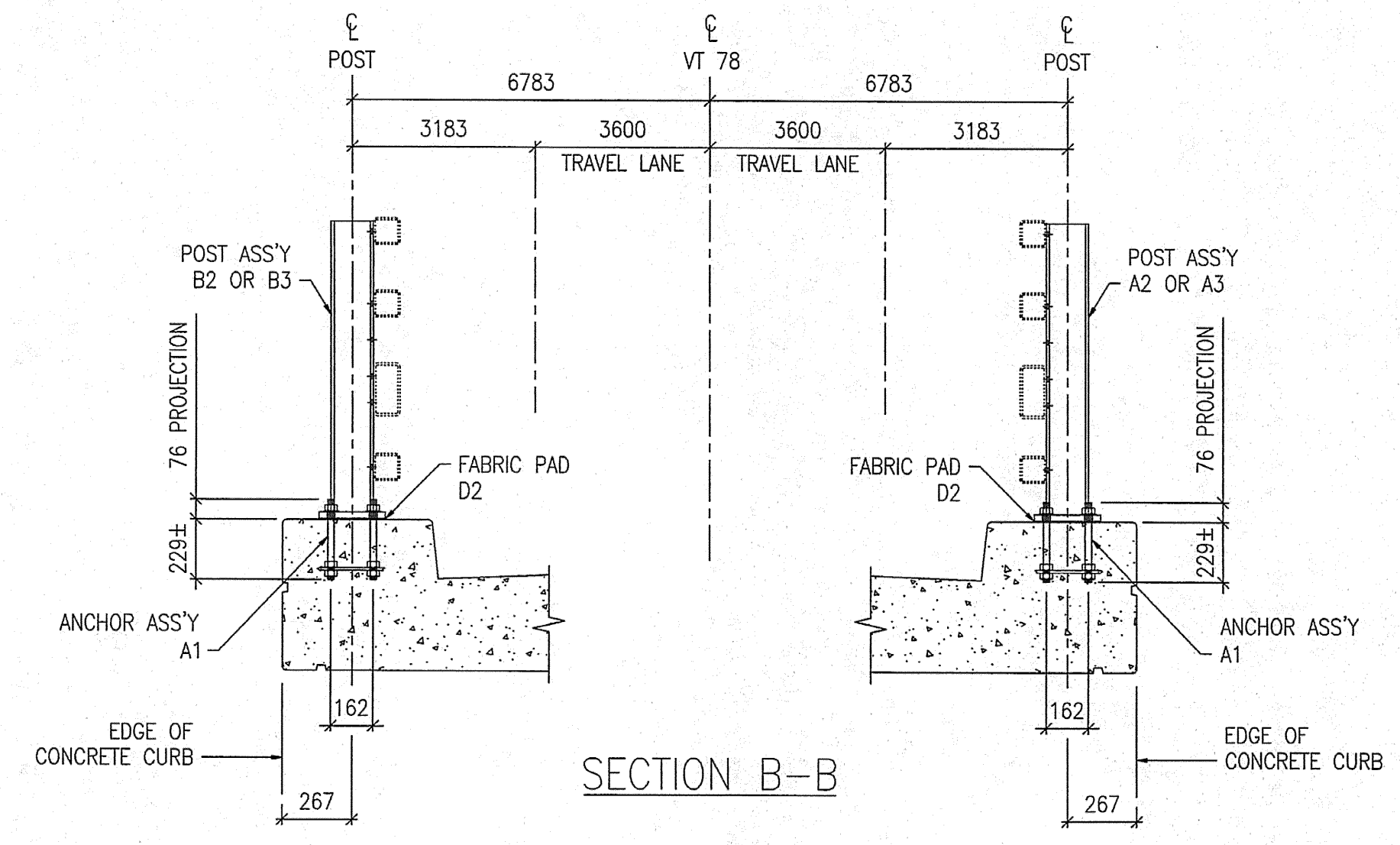


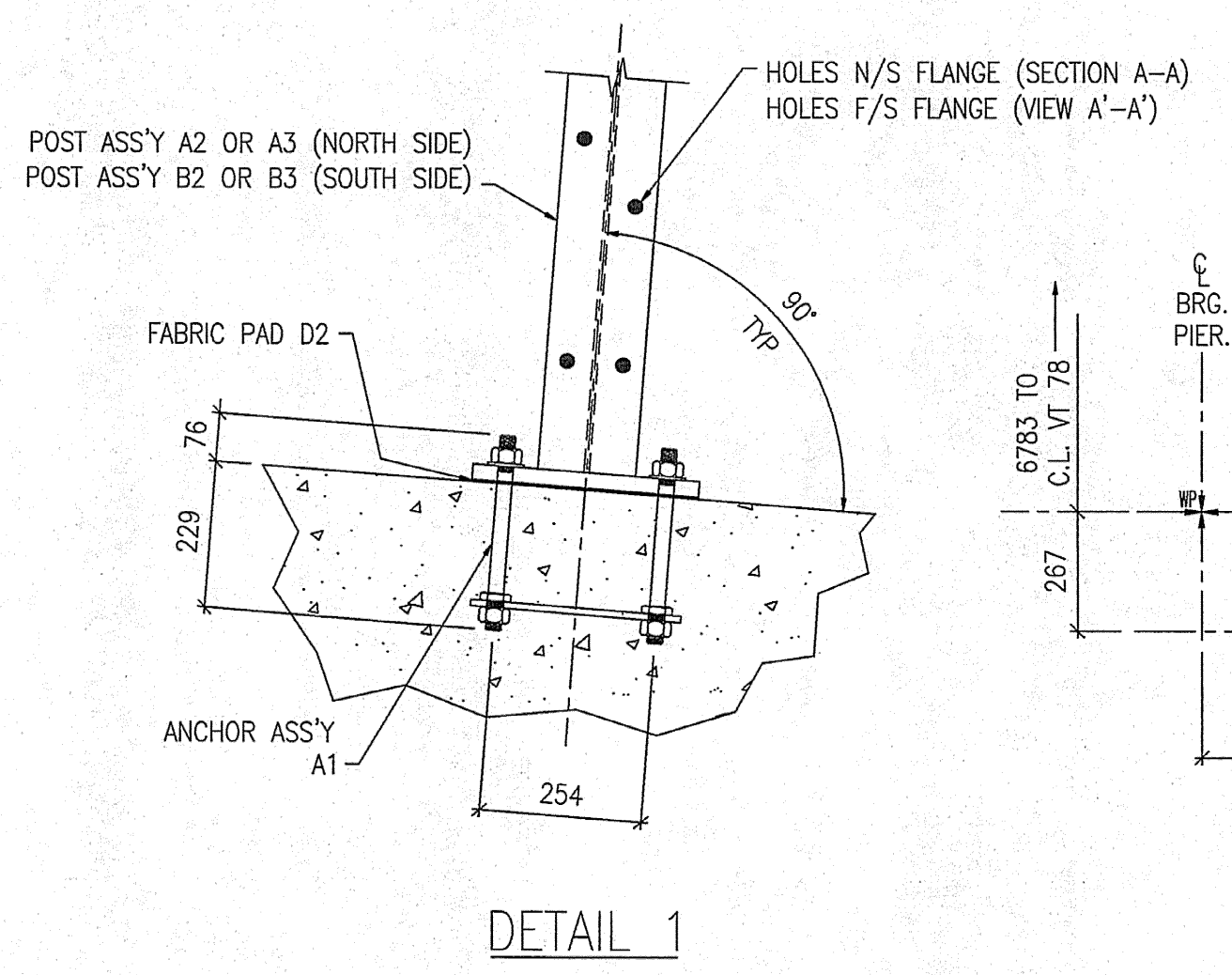
**FOR APPROVAL**



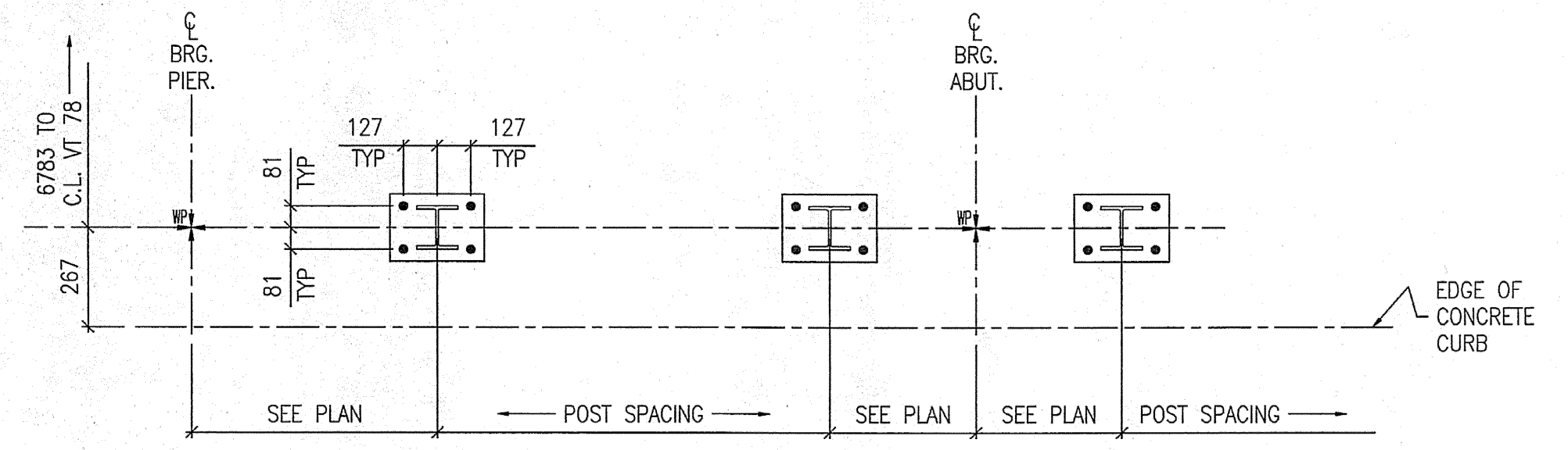
SECTION A-A  
VIEW A'-A' (SIM)



SECTION B-B



DETAIL 1



TYPICAL RAILING POST LAYOUT

**SHOP DRAWING REVIEW**

REVIEWED AS REQUIRED BY THE CONSTRUCTION CONTRACT DOCUMENTS AND APPROVED BY THE CONTRACTOR FOR CONFORMANCE TO THE CONTRACT DOCUMENTS AND SUBJECT TO THE CONTRACT DOCUMENTS. THIS REVIEW IS LIMITED TO THE CONTRACT DOCUMENTS AND DOES NOT CONSTITUTE A GUARANTEE OF THE ACCURACY OF THE INFORMATION PROVIDED HEREIN. THE CONTRACTOR IS RESPONSIBLE FOR THE INFORMATION GIVEN AND FOR OBTAINING ALL NECESSARY PERMITS AND APPROVALS FROM THE APPROPRIATE AGENCIES. THE CONTRACTOR SHALL BE RESPONSIBLE FOR OBTAINING ALL NECESSARY PERMITS AND APPROVALS FROM THE APPROPRIATE AGENCIES. THE CONTRACTOR SHALL BE RESPONSIBLE FOR OBTAINING ALL NECESSARY PERMITS AND APPROVALS FROM THE APPROPRIATE AGENCIES.

Checked By: 5/21/11  
 Prepared By: 5/21/11  
 Date: 7-7-11

**VHB**

Vermont Highway Builders, Inc.  
1000 Highway 100, Montpelier, VT 05602  
Phone: 802-244-1111  
Fax: 802-244-1112  
Website: www.vhb.com

- NOTES:**
- FOR BRIDGE RAILING ERECTION PLAN SEE DRAWING E26.
  - ALL RAIL POST ASSEMBLIES TO BE ERECTED WITH FLANGE HOLES FACING CENTER OF BRIDGE.

MAT'L : SEE GN-1		FIELD BOLTS		
HOLES : 22Ø (7/8") U.N.O.		GRADE:	A325	
WELD :				
ELECTRODE : E70XX				
PREP : SEE GN-1				
PAINT : SEE GN-1				
REV.	DATE	BY	DESCRIPTION	CHK
1	11/01/05	JM	RE-ISSUED FOR APPROVAL	BH
0	09/06/04	JM	ISSUED FOR APPROVAL	BH
WORK : NETC 4 RAIL-BRIDGE RAILING VT. ROUTE 78 OVER MISSISQUOI BAY ALBURG - SWANTON, VERMONT				
DRAWING : RAIL POST ANCHOR PLAN - SPAN 23				
SCALE:	N.T.S.	SHEET		E23
DRAWN:	JM	JOB		050004
CHECK:	BH			