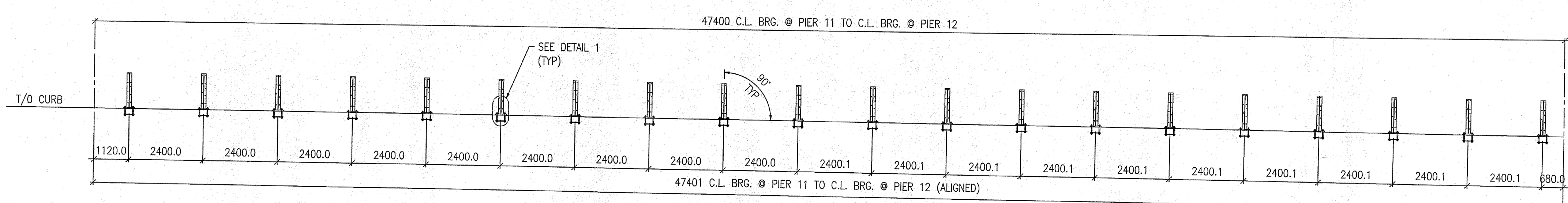
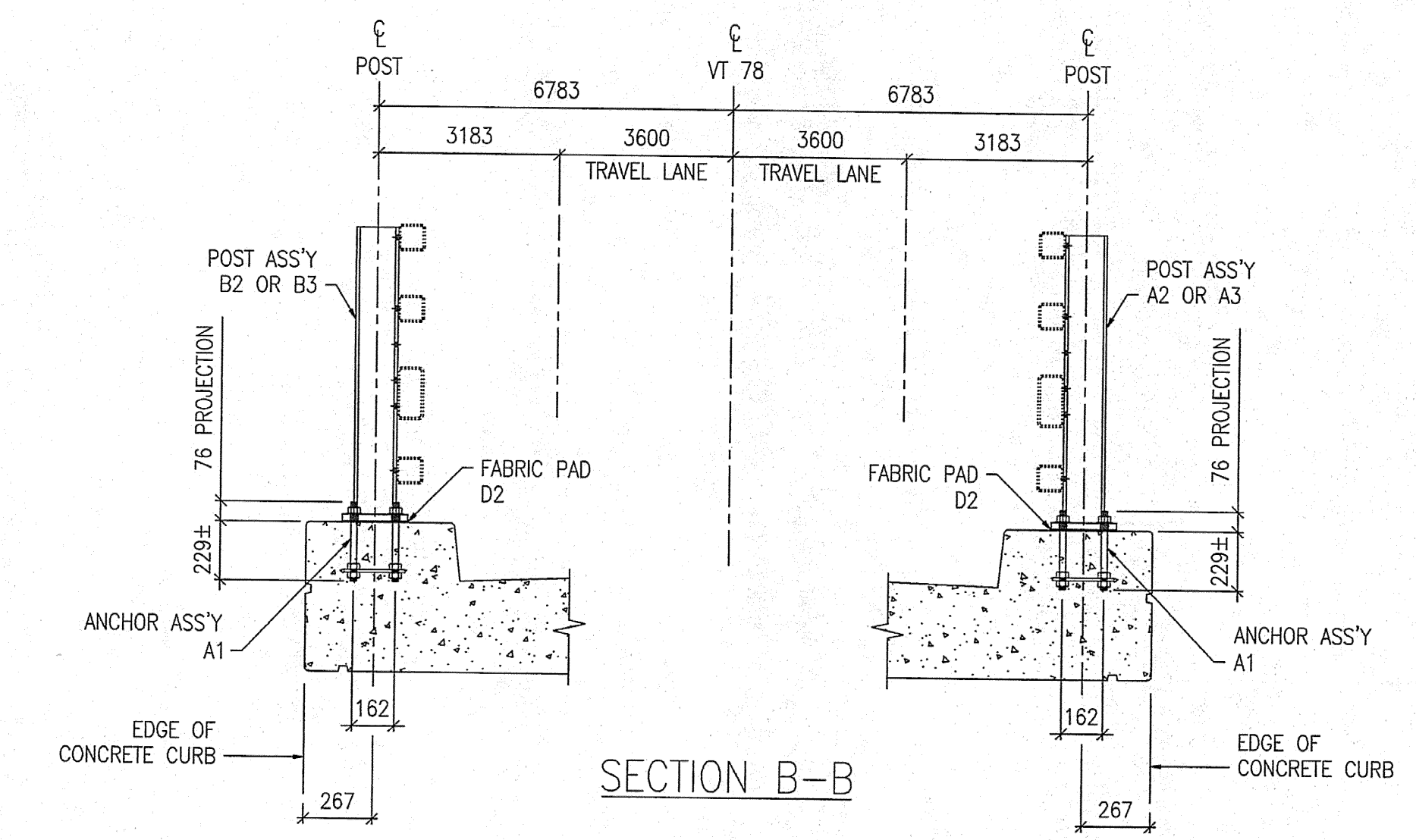


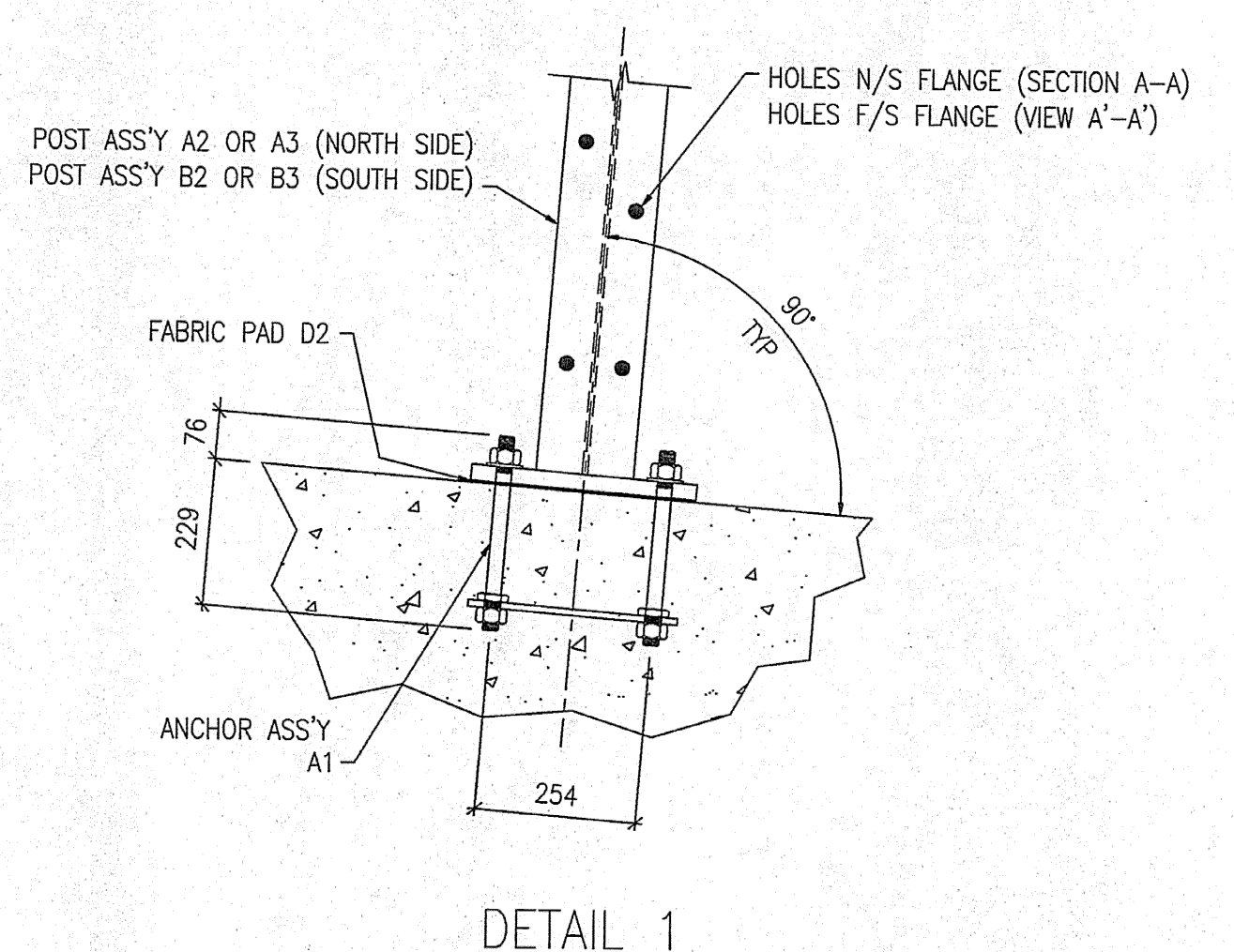
FOR APPROVAL



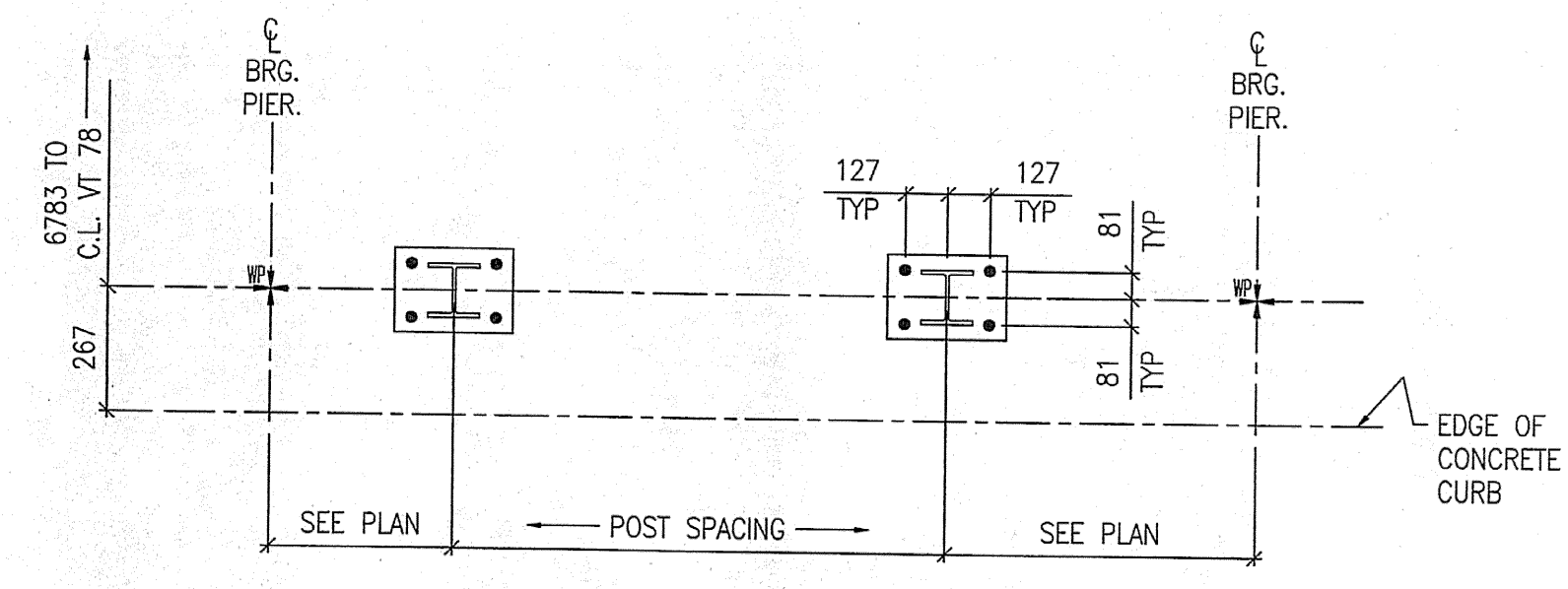
SECTION A-A
VIEW A'-A' (SIM)



SECTION B-B



DETAIL 1



TYPICAL RAILING POST LAYOUT

SHOP DRAWING REVIEW

REVIEWED AS REQUIRED BY THE CONSTRUCTION CONTRACT DOCUMENTS AND APPROVED FOR CONFORMANCE TO THE DESIGN CONCEPT OF THE WORK, AND SUBJECT TO THE LIMITATIONS AND REQUIREMENTS CONTAINED IN THE CONSTRUCTION CONTRACT DOCUMENTS.

REJECTED REVISE AND RESUBMIT FINISH AS CORRECTED

CORRECTIONS OR COMMENTS MADE ON THE SHOP DRAWINGS DURING THIS REVIEW DO NOT RELIEVE CONTRACTOR FROM COMPLIANCE WITH REQUIREMENTS OF THE DRAWINGS AND SPECIFICATIONS. THIS CHECK IS ONLY FOR REVIEW OF GENERAL CONFORMANCE WITH THE DESIGN CONCEPT OF THE PROJECT AND GENERAL COMPLIANCE WITH THE INFORMATION GIVEN IN THE CONTRACT DOCUMENTS. THE CONTRACTOR IS RESPONSIBLE FOR CONFIRMING AND CORRELATING ALL QUANTITIES AND DIMENSIONS, SELECTING FABRICATION PROCESSES AND TECHNIQUES OF CONSTRUCTION, COORDINATING HIS WORK WITH THAT OF ALL OTHER TRADES AND PERFORMING HIS WORK IN A SAFE AND SATISFACTORY MANNER.

VHB Vanasse Hangen Brustlin, Inc.
Engineers, Planners, and Scientists
Six Bedford Place, Boston, MA
Bedford, MA 02111-1000 617-552-6000

Job Number: 50911
Reviewed By: *Smith*
Date: 7-20-05

- NOTES:
- FOR BRIDGE RAILING ERECTION PLAN SEE DRAWING E25.
 - ALL RAIL POST ASSEMBLIES TO BE ERECTED WITH FLANGE HOLES FACING CENTER OF BRIDGE.

MAT'L : SEE GN-1		FIELD BOLTS	
HOLES : 22Ø (7/8") U.N.O.		GRADE:	A325
WELD :			
ELECTRODE : E70XX			
PREP : SEE GN-1			
PAINT : SEE GN-1			
REV.	DATE	BY	DESCRIPTION
1	11/01/05	JM	RE-ISSUED FOR APPROVAL
0	09/06/04	JM	ISSUED FOR APPROVAL
WORK NETC 4 RAIL-BRIDGE RAILING VT. ROUTE 78 OVER MISSISSOQUI BAY ALBURG - SWANTON, VERMONT			
DRAWING RAIL POST ANCHOR PLAN - SPAN 12			
SCALE:	N.T.S.	SHEET	E12
DRAWN:	JM	CORBRO CORPORATION PITTSFIELD MAINE	JOB 050004
CHECK:	BH		