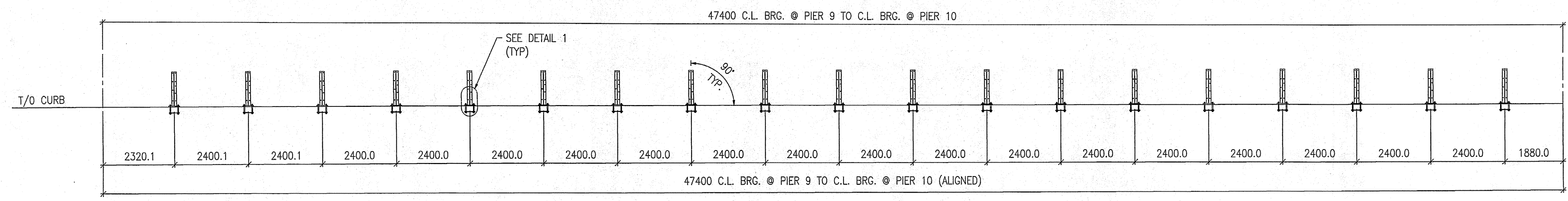
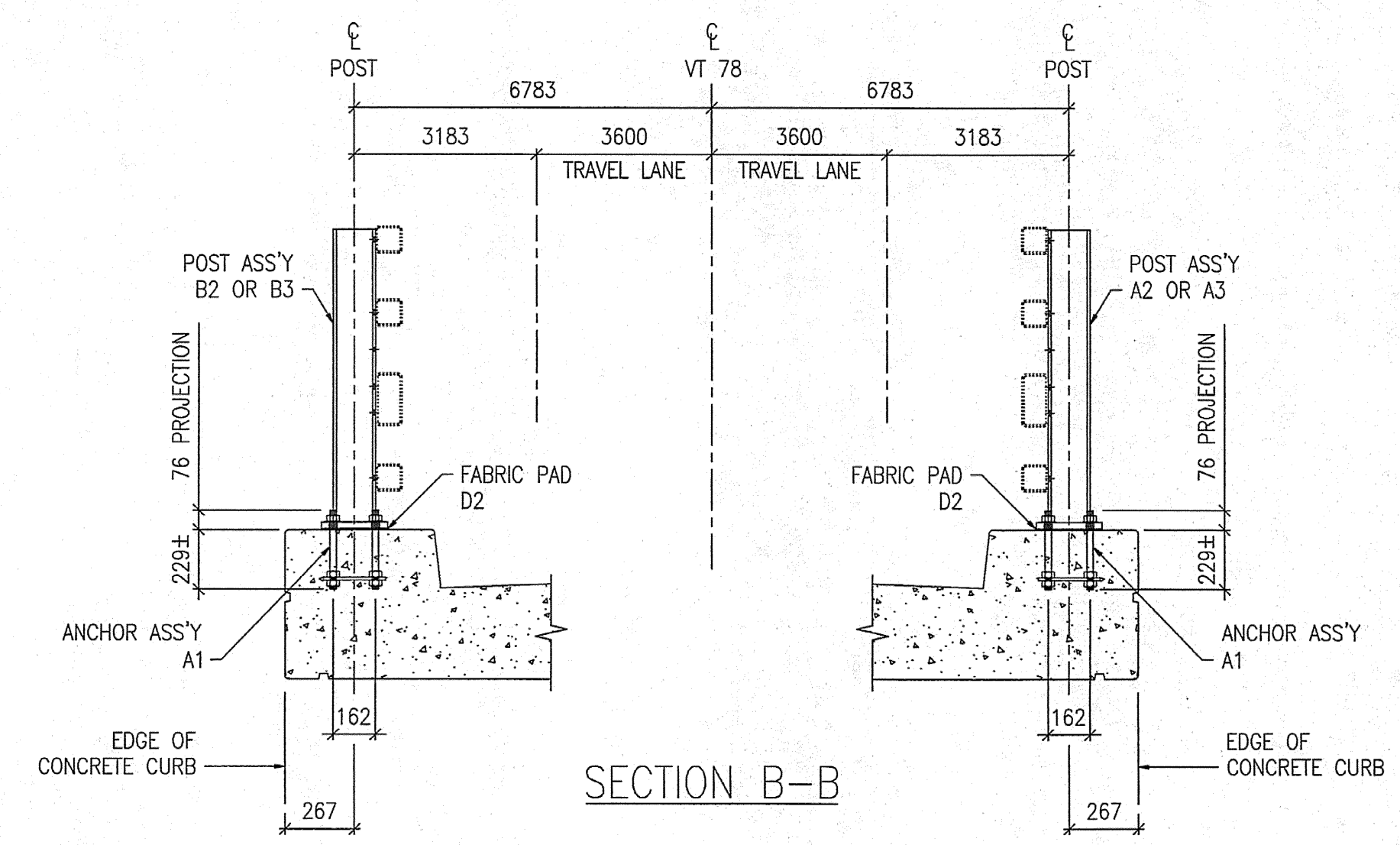


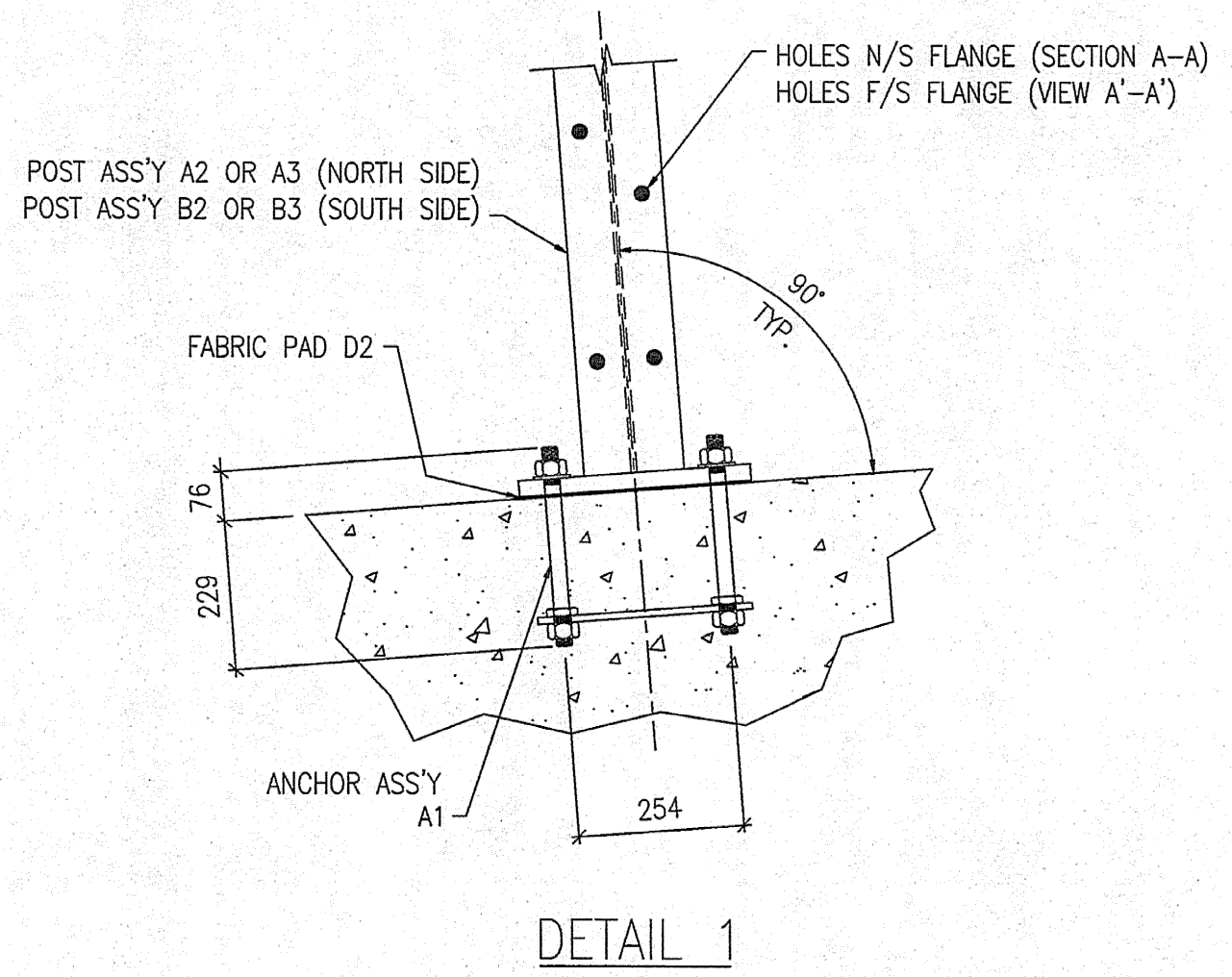
FOR APPROVAL



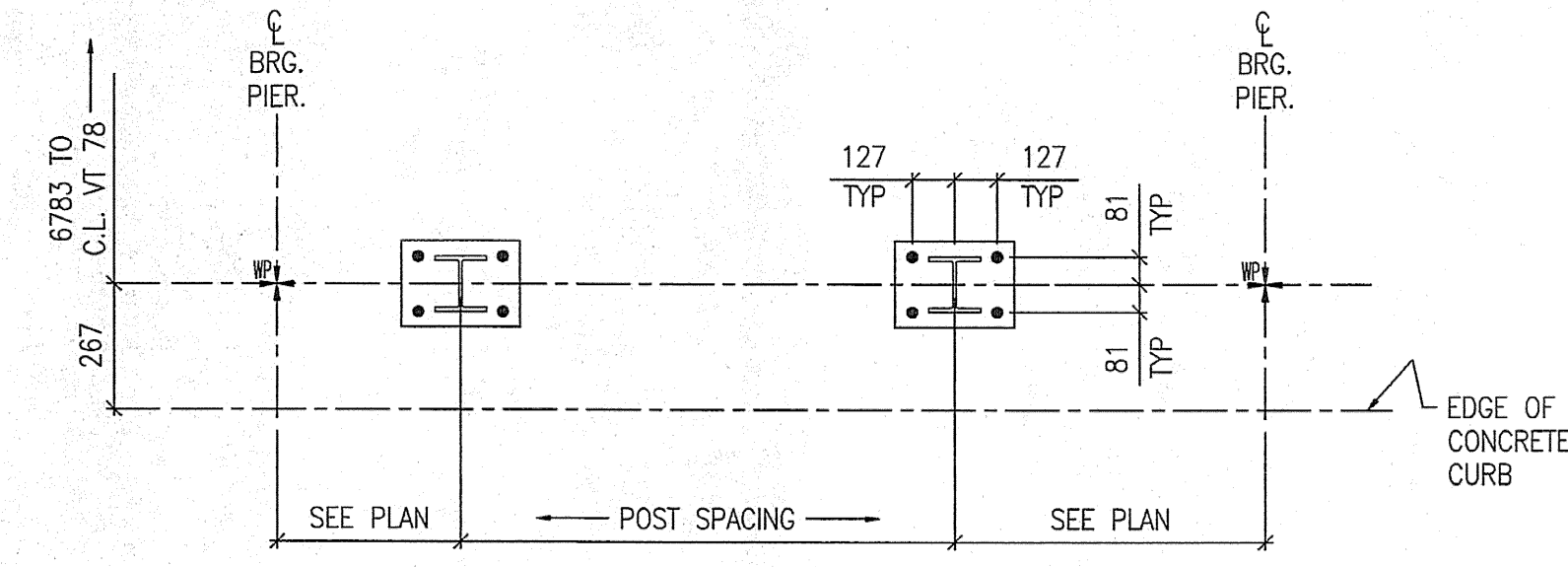
SECTION A-A
VIEW A'-A' (SIM)



SECTION B-B



DETAIL 1



TYPICAL RAILING POST LAYOUT

SHOP DRAWING REVIEW

REVIEWED AS REQUIRED BY THE CONSTRUCTION CONTRACT DOCUMENTS AND APPROVAL IS ONLY FOR PERFORMANCE TO THE DESIGN CONCEPT OF THE WORK, AND SUBJECT TO THE LIMITATIONS AND REQUIREMENTS CONTAINED IN THE CONSTRUCTION CONTRACT DOCUMENTS.

REJECTED REVISE AND RESUBMIT FURNISH AS CORRECT

CORRECTIONS OR COMMENTS MADE ON THE SHOP DRAWINGS DURING THIS REVIEW ARE TO RELIEVE CONTRACTOR FROM COMPLIANCE WITH REQUIREMENTS OF THE DRAWINGS AND SPECIFICATIONS. THIS CHECK IS ONLY FOR REVIEW OF GENERAL COMPLIANCE WITH THE DESIGN CONCEPT OF THE PROJECT AND GENERAL COMPLIANCE WITH THE CONTRACT DOCUMENTS. THE CONTRACTOR IS RESPONSIBLE FOR CONFIRMING ALL CORRELATING ALL QUANTITIES AND DIMENSIONS, SELECTING FABRICATION PROCESSES AND TECHNIQUES OF CONSTRUCTION, COORDINATING HIS WORK WITH THAT OF ALL OTHER TRADES AND PERFORMING HIS WORK IN A SAFE AND SATISFACTORY MANNER.

VHB Venesse Hangen Brant Inc. 100 Main Street, Pittsfield, MA 01201
 Phone: 413-439-0888 Fax: 413-439-0888
 Date: 11/01/05 By: [Signature]

- NOTES:
- FOR BRIDGE RAILING ERECTION PLAN SEE DRAWING E25.
 - ALL RAIL POST ASSEMBLIES TO BE ERECTED WITH FLANGE HOLES FACING CENTER OF BRIDGE.

MATERIAL: SEE GN-1		FIELD BOLTS		
HOLES: 22Ø (7/8") U.N.O.		GRADE: A325		
WELD:				
ELECTRODE: E70XX				
PREP: SEE GN-1				
PAINT: SEE GN-1				
REV.	DATE	BY	DESCRIPTION	CHK
1	11/01/05	JM	RE-ISSUED FOR APPROVAL	BH
0	09/06/04	JM	ISSUED FOR APPROVAL	BH
WORK: NETA 4 RAIL-BRIDGE RAILING VT. ROUTE 78 OVER MISSISQUOI BAY ALBURG - SWANTON, VERMONT				
DRAWING: RAIL POST ANCHOR PLAN - SPAN 10				
SCALE: N.T.S.	CIAMBRO CORPORATION PITTSFIELD MAINE		SHEET E10 Δ	
DRAWN: JM			JOB 050004	
CHECK: BH				