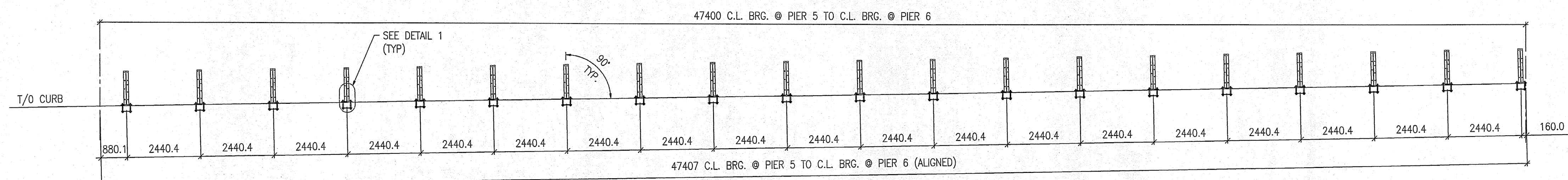
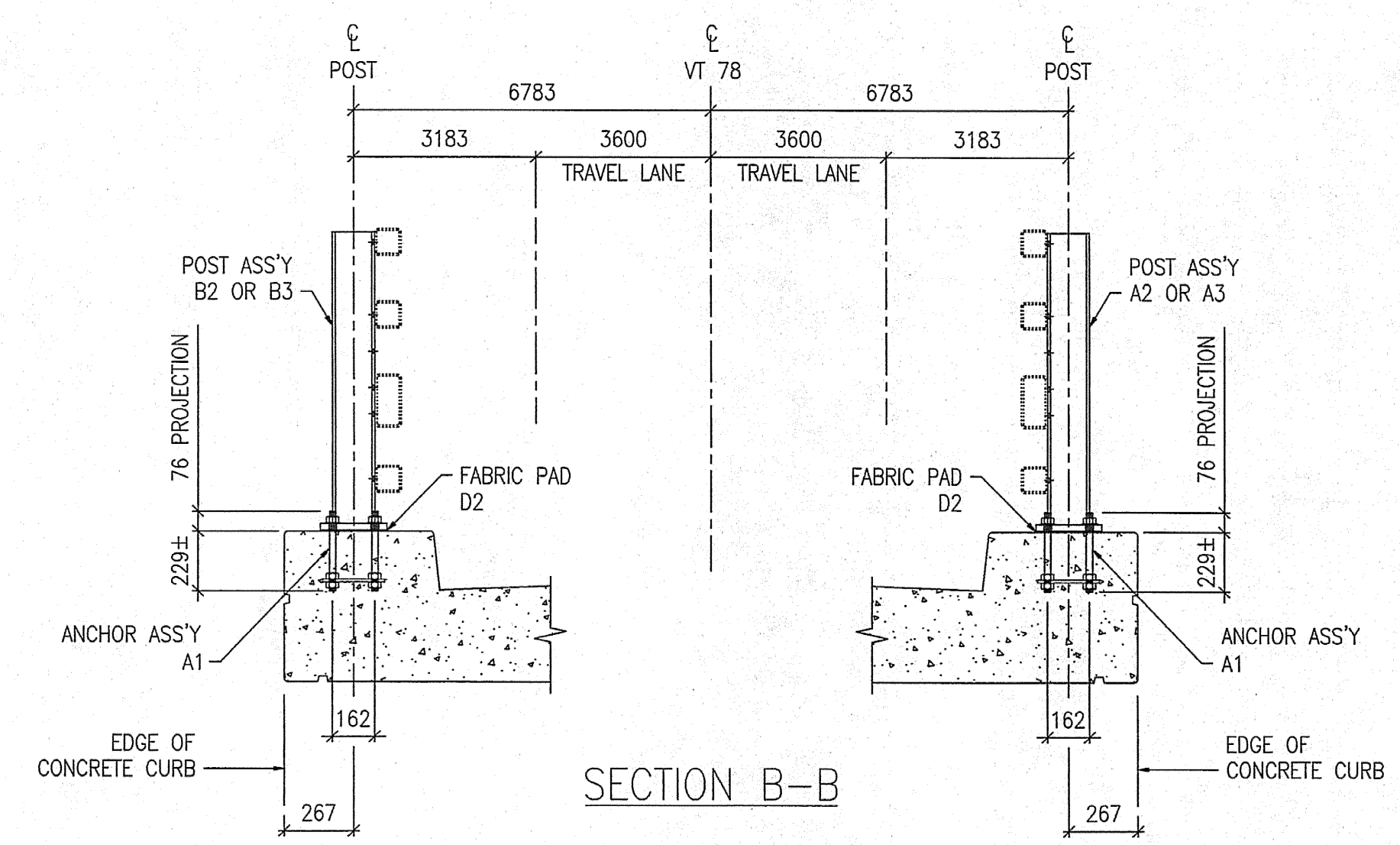


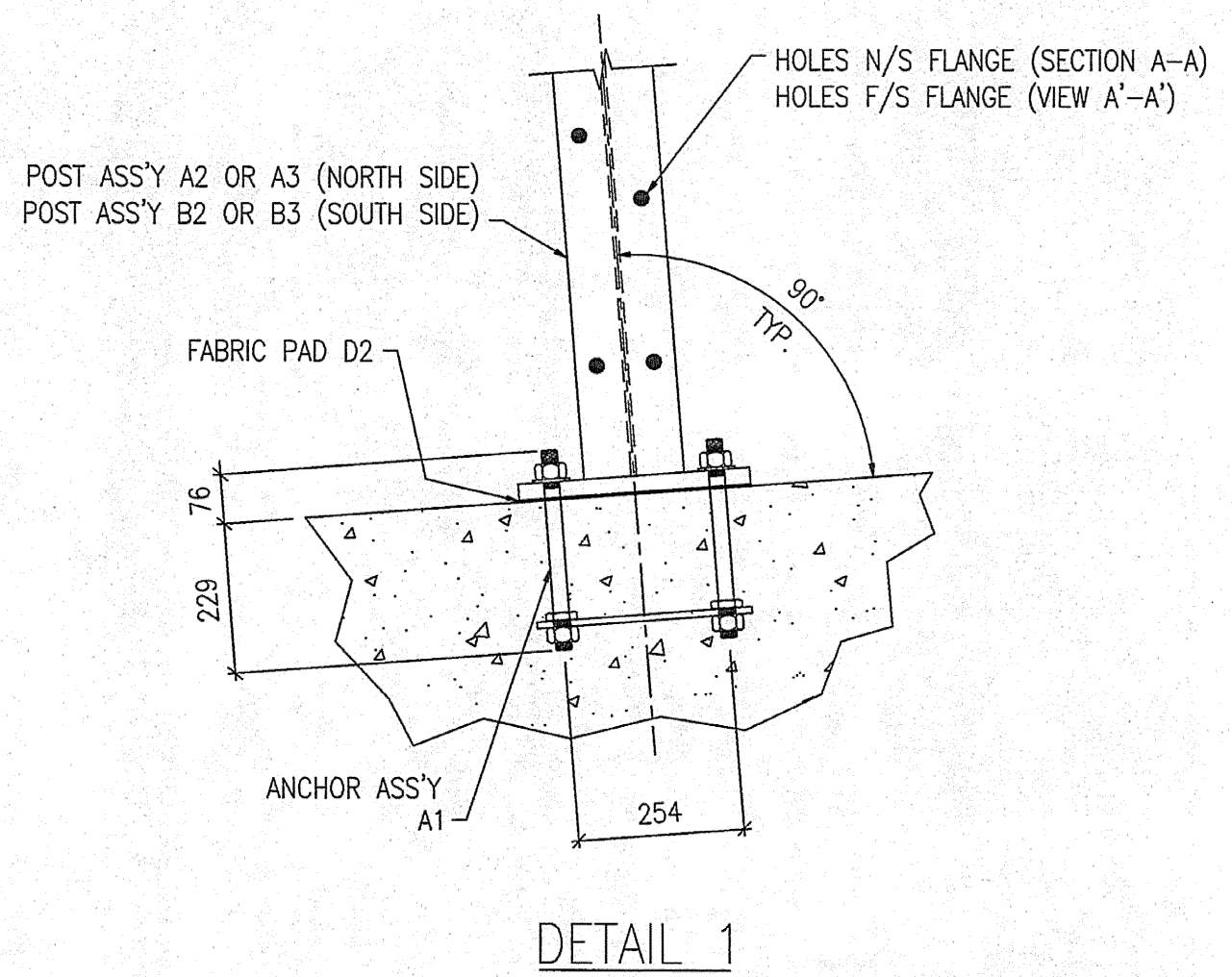
RAIL POST ANCHOR PLAN ~ SPAN 6



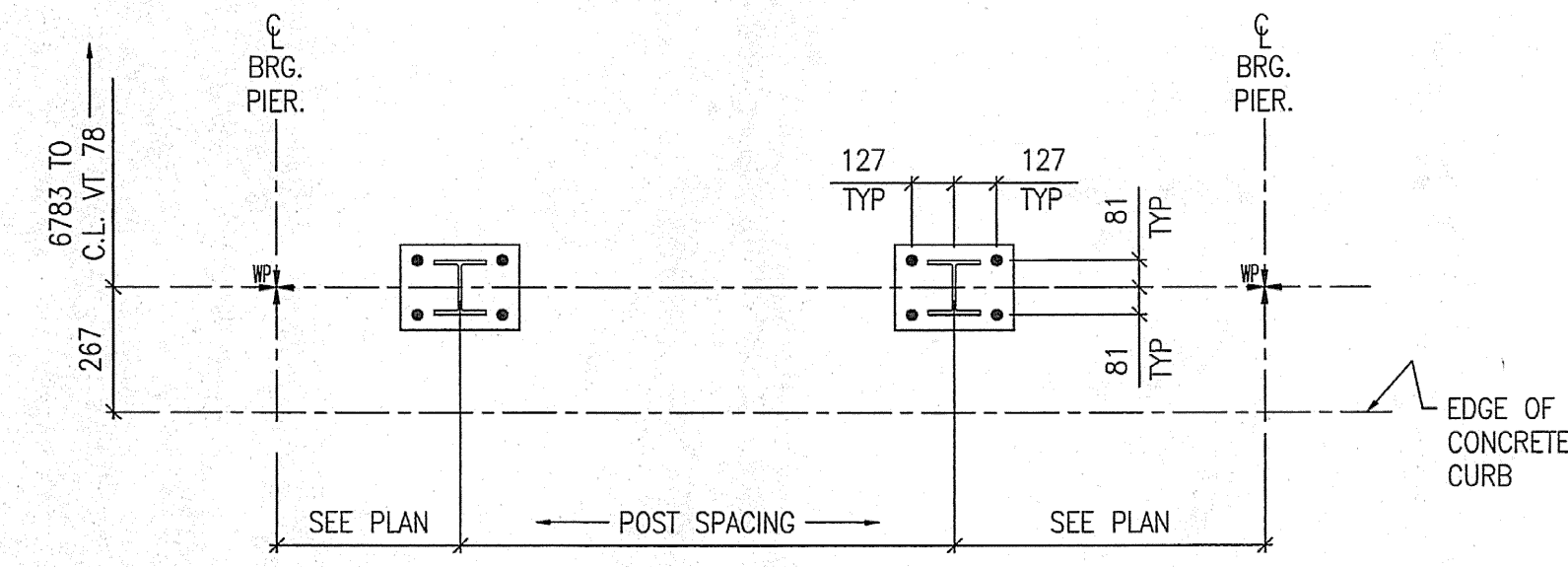
SECTION A-A
VIEW A'-A' (SIM)



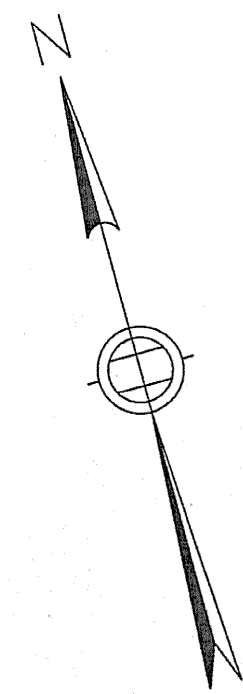
SECTION B-B



DETAIL 1



TYPICAL RAILING POST LAYOUT



FOR APPROVAL

SHOP DRAWING REVIEW	
<input type="checkbox"/> REVIEWED AS REQUIRED BY THE CONSTRUCTION CONTRACT DOCUMENTS AND FOUND TO BE IN CONFORMANCE WITH THE DESIGN CONCEPT OF THE WORK, AND THE LIMITATIONS AND REQUIREMENTS CONTAINED IN THE CONSTRUCTION CONTRACT DOCUMENTS.	APPROVED
<input type="checkbox"/> REJECTED	REJECT
<input type="checkbox"/> CORRECTIONS OR COMMENTS MADE ON THE SHOP DRAWINGS DURING THE REVIEW PROCESS.	REVISE AND RESUBMIT
CORRECTIONS OR COMMENTS MADE ON THE SHOP DRAWINGS DURING THE REVIEW PROCESS SHALL BE THE RESPONSIBILITY OF THE CONTRACTOR TO RELIEVE CONTRACTOR FROM COMPLIANCE WITH REQUIREMENTS OF THE DRAWINGS AND SPECIFICATIONS. THIS CHECK IS ONLY FOR REVIEW OF GENERAL CONFORMANCE WITH THE DESIGN CONCEPT OF THE PROJECT AND GENERAL COMPLIANCE WITH THE INFORMATION CONTAINED IN THE CONTRACT DOCUMENTS. THE CONTRACTOR IS RESPONSIBLE FOR CORRECTING ALL TECHNICAL ERRORS OF CONSTRUCTION, COORDINATING HIS WORK WITH THAT OF ALL OTHER CONTRACTORS AND PERFORMING HIS WORK IN A SAFE AND SATISFACTORY MANNER.	
VHB Vermont Highway Builders, Inc. Engineers, Planners, and Scientists Six Bedford Farms, Kilton Rd. Swanton, VT 05491	Job Number: 80811 Reviewed By: [Signature] Date: 7-7-05

- NOTES:
- FOR BRIDGE RAILING ERECTION PLAN SEE DRAWING E24.
 - ALL RAIL POST ASSEMBLIES TO BE ERECTED WITH FLANGE HOLES FACING CENTER OF BRIDGE.

MAT'L : SEE GN-1	FIELD BOLTS
HOLES : 22Ø (7/8") U.N.O.	GRADE: A325
WELD :	
ELECTRODE : E70XX	
PREP : SEE GN-1	
PAINT : SEE GN-1	
1 11/01/05 JM RE-ISSUED FOR APPROVAL BH	
0 09/06/04 JM ISSUED FOR APPROVAL BH	
REV. DATE BY DESCRIPTION CHK	
WORK	NETC 4 RAIL-BRIDGE RAILING VT. ROUTE 78 OVER MISSISQUOI BAY ALBURG - SWANTON, VERMONT
DRAWING	RAIL POST ANCHOR PLAN - SPAN 6
SCALE: N.T.S.	SHEET E6
DRAWN: JM	CORBRO CORPORATION PITTSFIELD MAINE
CHECK: BH	JOB 050004