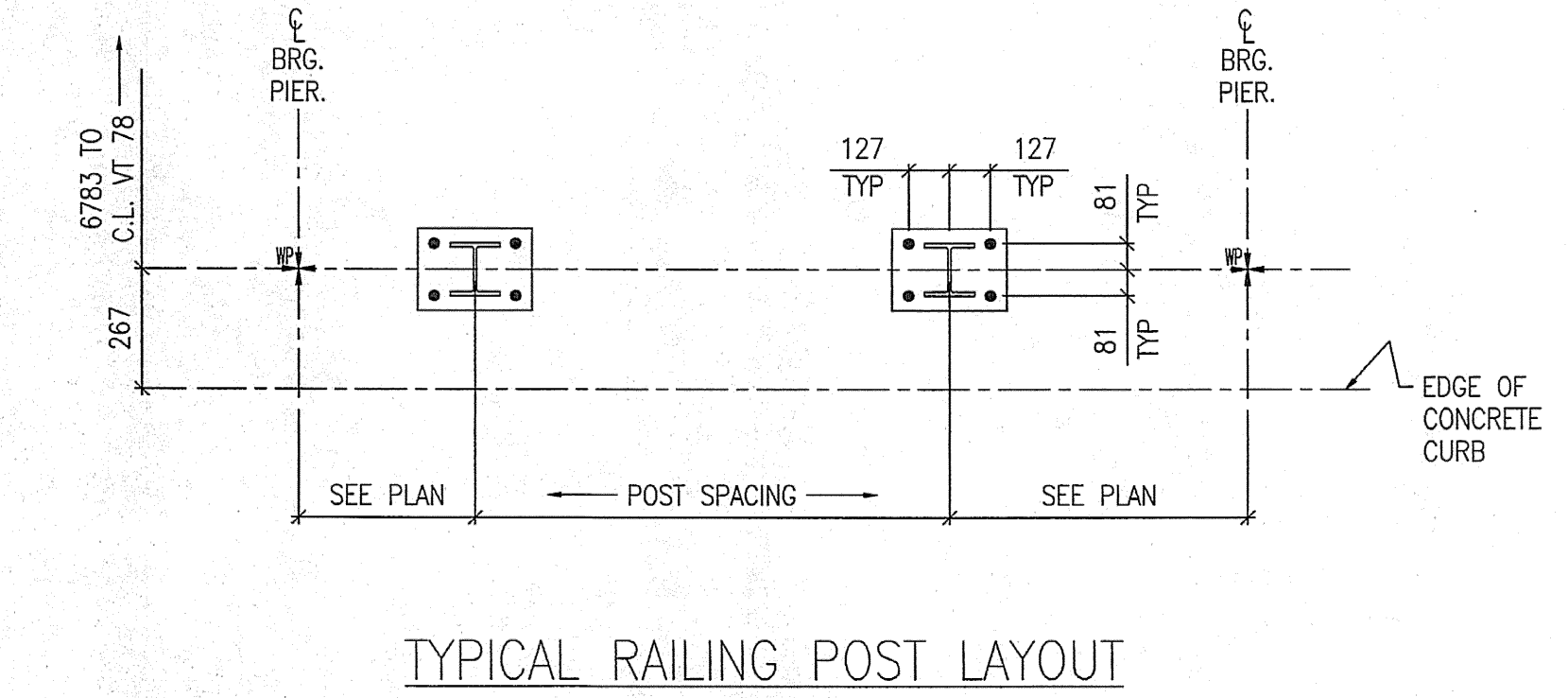
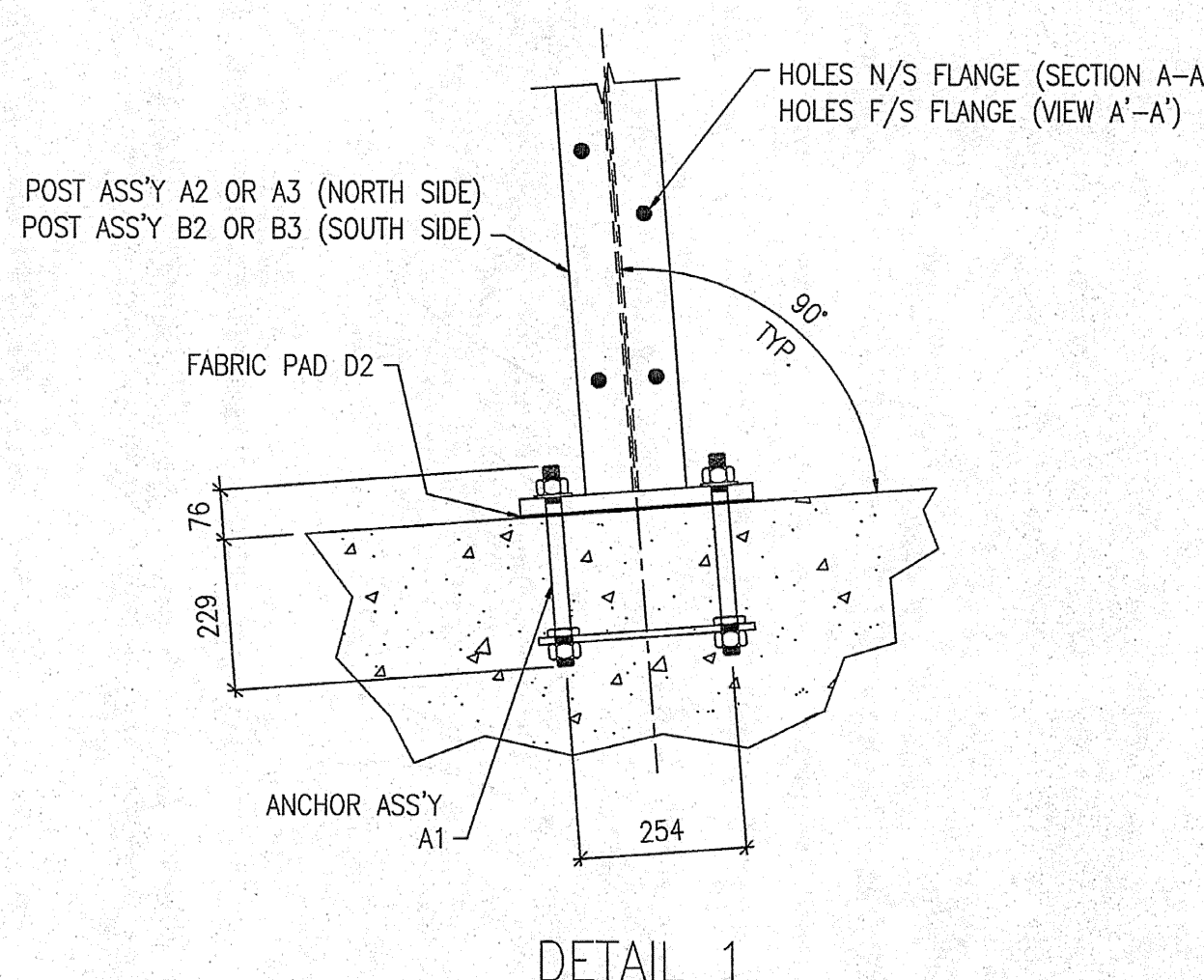
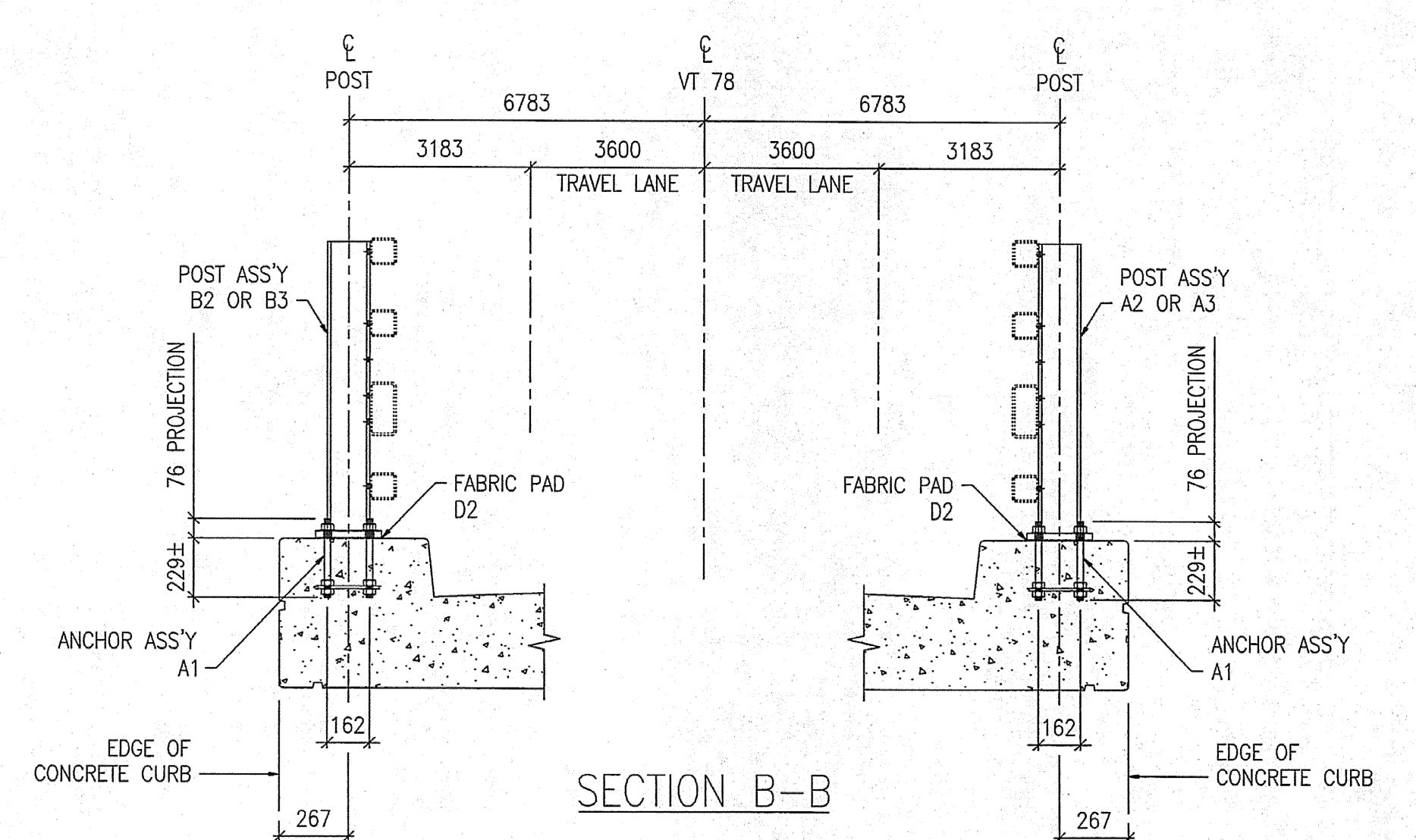
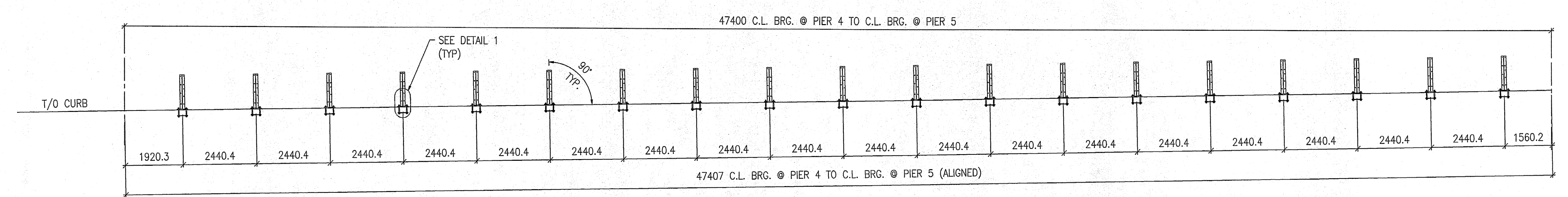


FOR APPROVAL



SHOP DRAWING REVIEW

REVIEWED AS REQUIRED BY THE CONSTRUCTION CONTRACT DOCUMENTS FOR CONFORMANCE TO THE DESIGN CONCEPT OF THE WORK AND THE LIMITATIONS AND REQUIREMENTS CONTAINED IN THE CONSTRUCTION CONTRACT DOCUMENTS.

REJECTED REVISE AND RESUBMIT

CORRECTIONS OR COMMENTS MADE ON THE SHOP DRAWINGS DURING THE REVIEW SHALL BE THE CONTRACTOR'S RESPONSIBILITY FOR COMPLIANCE WITH THE DESIGN CONCEPT AND SPECIFICATIONS. THIS CHECK IS ONLY FOR REVIEW OF GENERAL CONFORMANCE WITH THE DESIGN CONCEPT OF THE PROJECT AND GENERAL COMPLIANCE WITH THE CONTRACT DOCUMENTS. THE CONTRACTOR IS RESPONSIBLE FOR CORRECTING ALL ERRORS, OMISSIONS AND DISCREPANCIES IN THE CONTRACT DOCUMENTS, SELECTING FABRICATOR, AND COORDINATING ALL QUANTITIES AND DIMENSIONS. COORDINATING HIS WORK WITH THAT OF ALL OTHER CONTRACTORS PERFORMING WORK IN A SAFE AND SATISFACTORY MANNER.

VIB Vanesse Hanger Brustin, Inc.
Engineers, Planners, and Scientists
100 Bedford Farms, 100m Rd.
Bedford, NH 03110 603 544 0888

Job Number: **5011**
Reviewed By: **SMH**
Date: **7-7-05**

- NOTES:**
- FOR BRIDGE RAILING ERECTION PLAN SEE DRAWING E24.
 - ALL RAIL POST ASSEMBLIES TO BE ERECTED WITH FLANGE HOLES FACING CENTER OF BRIDGE.

MAT'L : SEE GN-1		FIELD BOLTS		
HOLES : 22Ø (7/8") U.N.O.		GRADE:	A325	
WELD :				
ELECTRODE : E70XX				
PREP : SEE GN-1				
PAINT : SEE GN-1				
REV.	DATE	BY	DESCRIPTION	CHK
1	11/01/05	JM	RE-ISSUED FOR APPROVAL	BH
0	09/06/04	JM	ISSUED FOR APPROVAL	BH
WORK NETC 4 RAIL-BRIDGE RAILING VT. ROUTE 78 OVER MISSISQUOI BAY ALBURG - SWANTON, VERMONT				
DRAWING RAIL POST ANCHOR PLAN - SPAN 5				
SCALE:	N.T.S.	SHEET		E5
DRAWN:	JM	CORPORATION		JOB
CHECK:	BH	PITTSFIELD MAINE		050004