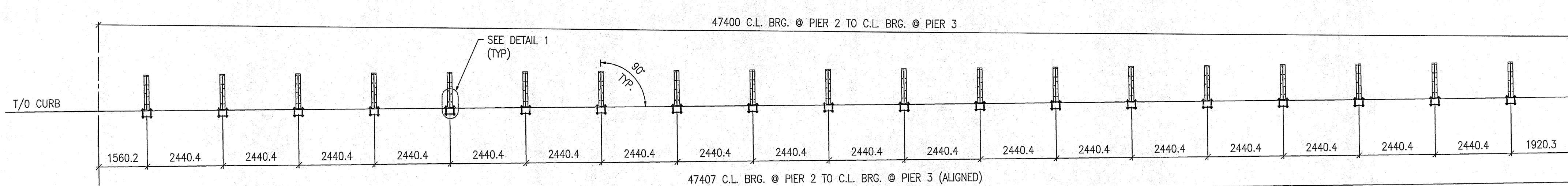
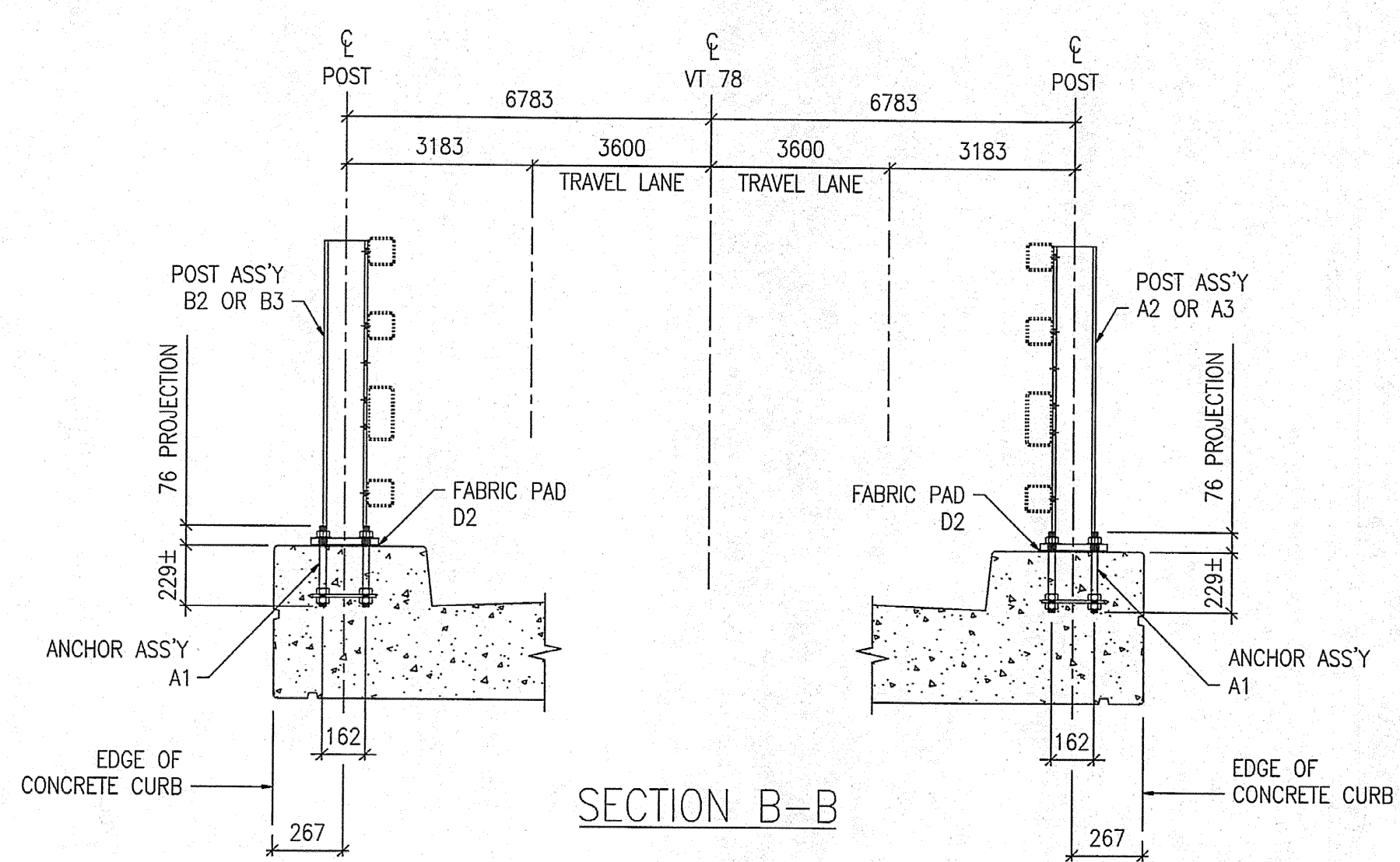


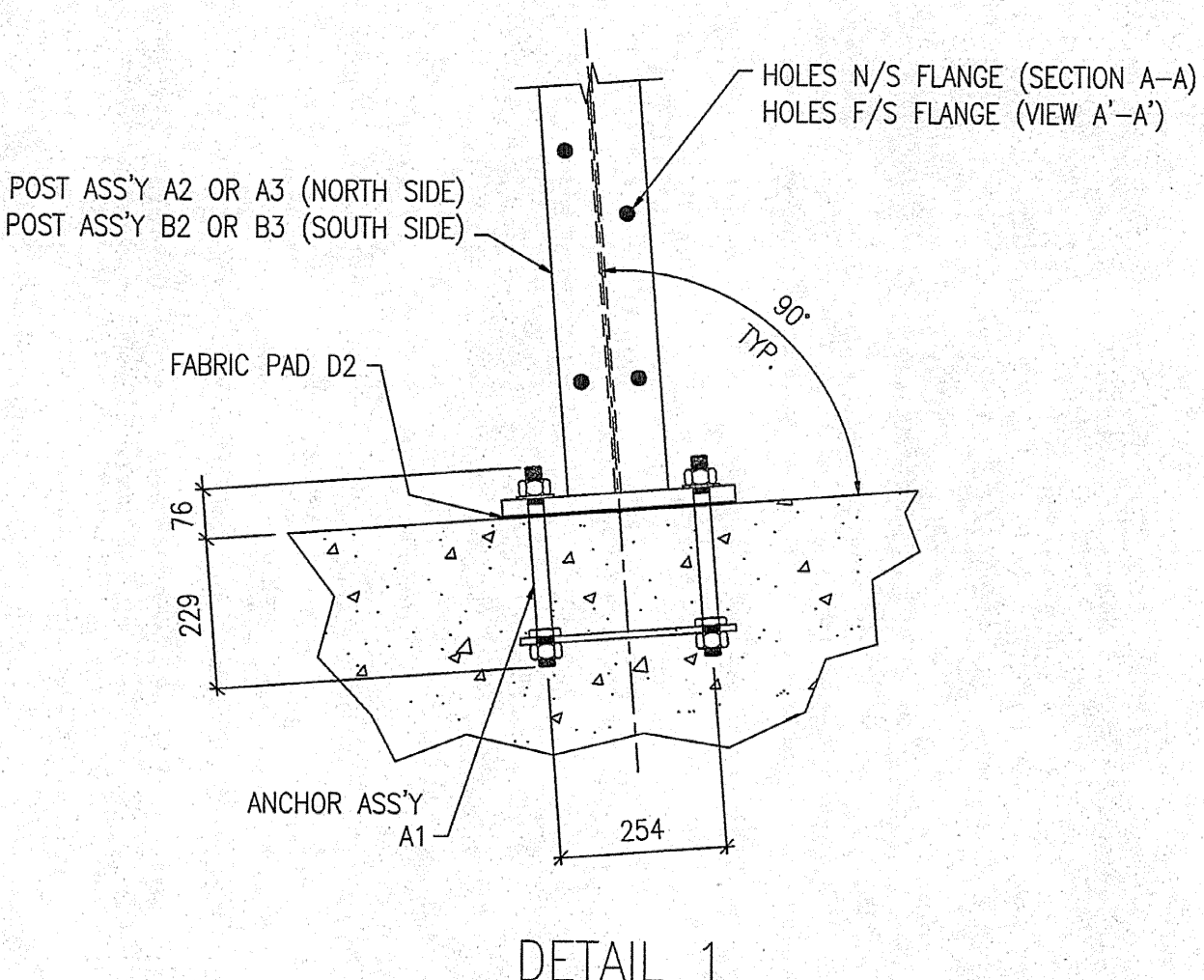
**FOR APPROVAL**



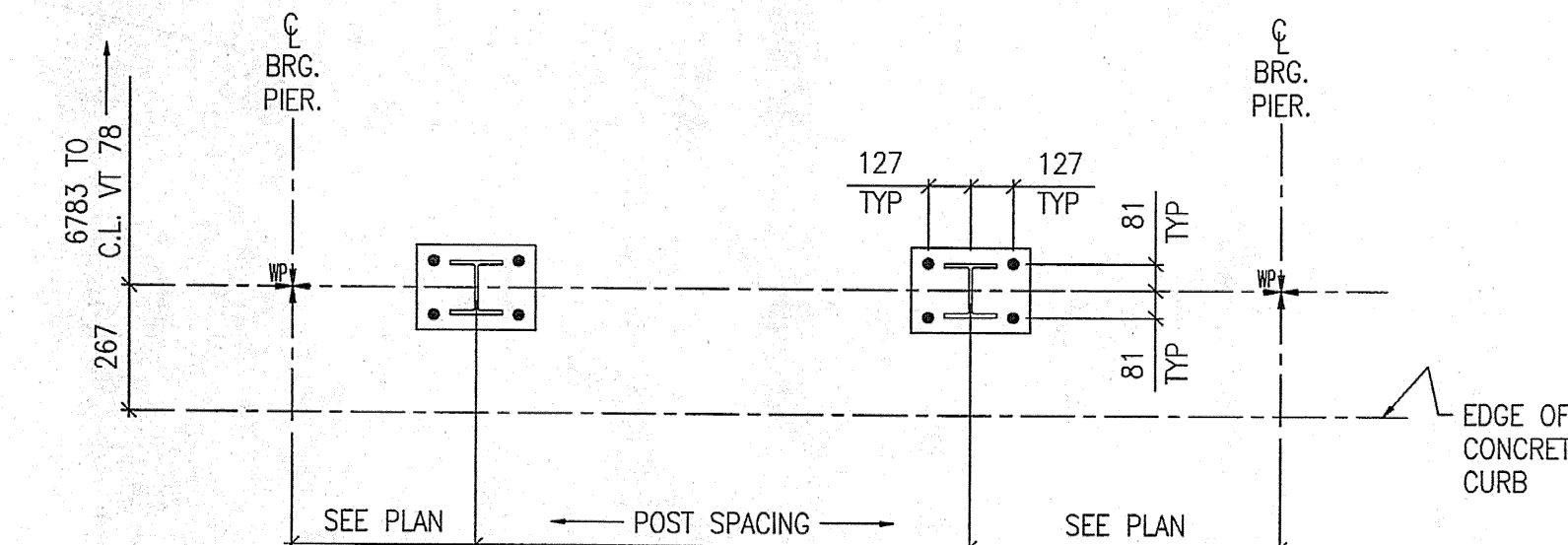
SECTION A-A  
VIEW A'-A' (SIM)



SECTION B-B



DETAIL 1



TYPICAL RAILING POST LAYOUT

SHOP DRAWING REVIEW	
<input type="checkbox"/> REVIEWED AS REQUIRED BY THE CONSTRUCTION CONTRACT DOCUMENTS AND APPROVED, BUT ONLY FOR CONFORMANCE TO THE DESIGN CONCEPT OF THE WORK, AND SUBJECT TO FURTHER LIMITATIONS AND REQUIREMENTS CONTAINED IN THE CONSTRUCTION CONTRACT DOCUMENTS.	<input type="checkbox"/> FORNISH AS CORRECTED
<input type="checkbox"/> REJECTED	<input type="checkbox"/> REVISE AND RESUBMIT
CORRECTIONS OR COMMENTS MADE ON THE SHOP DRAWINGS DURING THIS REVIEW DO NOT RELIEVE CONTRACTOR FROM COMPLIANCE WITH REQUIREMENTS OF THE DRAWINGS AND SPECIFICATIONS. THIS CHECK IS ONLY FOR REVIEW OF GENERAL CONFORMANCE WITH THE DESIGN CONCEPT OF THE PROJECT AND GENERAL COMPLIANCE WITH THE INFORMATION GIVEN IN THE CONTRACT DOCUMENTS. THE CONTRACTOR IS RESPONSIBLE FOR CONTINUING TO VERIFY ALL QUANTITIES AND DIMENSIONS; SELECTING FABRICATION PROCESSES AND TECHNIQUES OF CONSTRUCTION; COORDINATING HIS WORK WITH THAT OF ALL OTHER TRADES; AND PERFORMING HIS WORK IN A SAFE AND SATISFACTORY MANNER.	
Vanasse Hangen Brustlin, Inc. Engineers, Planners, and Scientists Six Bedford Farms, Nelson Rd. Bedford, NH 03110 603 884 2888	Job Number: 50311 Reviewed By: <i>[Signature]</i> Date: 7-7-07

- NOTES:
- FOR BRIDGE RAILING ERECTION PLAN SEE DRAWING E24.
  - ALL RAIL POST ASSEMBLIES TO BE ERECTED WITH FLANGE HOLES FACING CENTER OF BRIDGE.

MAT'L : SEE GN-1		FIELD BOLTS	
HOLES : 228 (7/8") U.N.O.	GRADE: A325		
WELD :			
ELECTRODE : E70XX			
PREP : SEE GN-1			
PAINT : SEE GN-1			
REV.	DATE	BY	DESCRIPTION
1	11/01/05	JM	RE-ISSUED FOR APPROVAL
0	09/06/04	JM	ISSUED FOR APPROVAL
REV.	DATE	BY	DESCRIPTION
WORK			
NETC 4 RAIL-BRIDGE RAILING			
VT. ROUTE 78 OVER MISSISQUOI BAY			
ALBURG - SWANTON, VERMONT			
DRAWING			
RAIL POST ANCHOR PLAN - SPAN 3			
SCALE: N.T.S.	CIANBRO CORPORATION	SHEET	E3
DRAWN: JM	PITTSFIELD MAINE	JOB	050004
CHECK: BH			