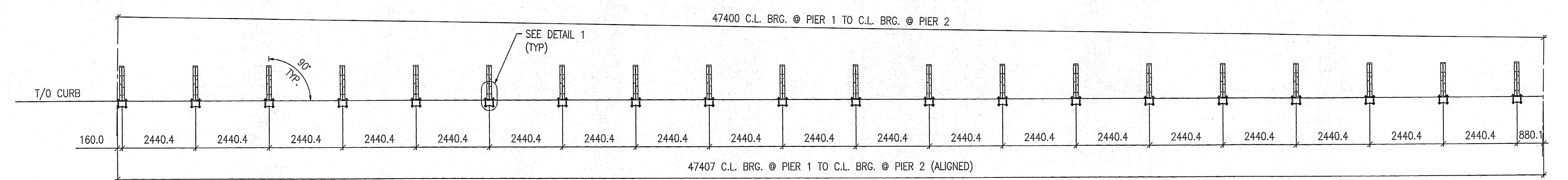
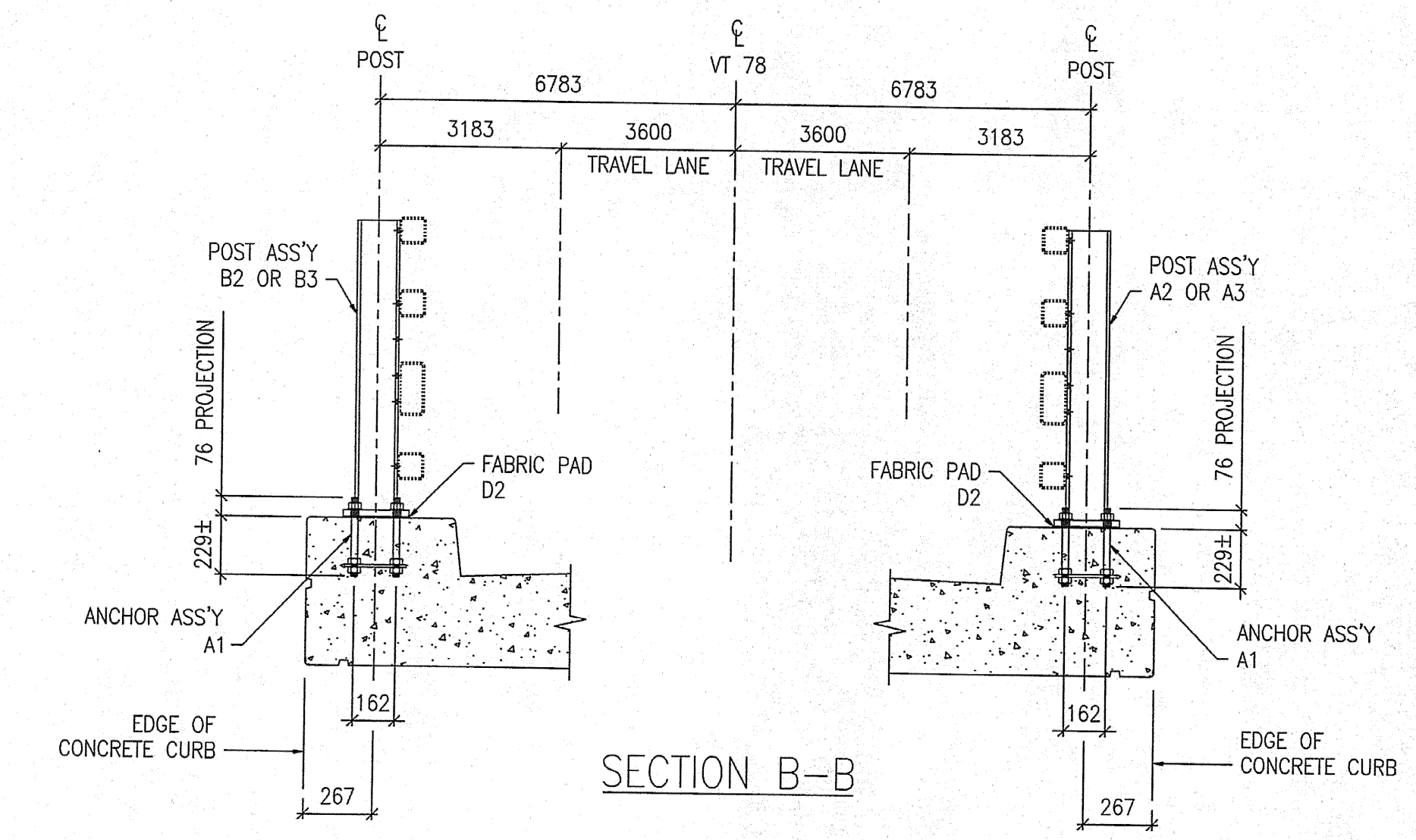


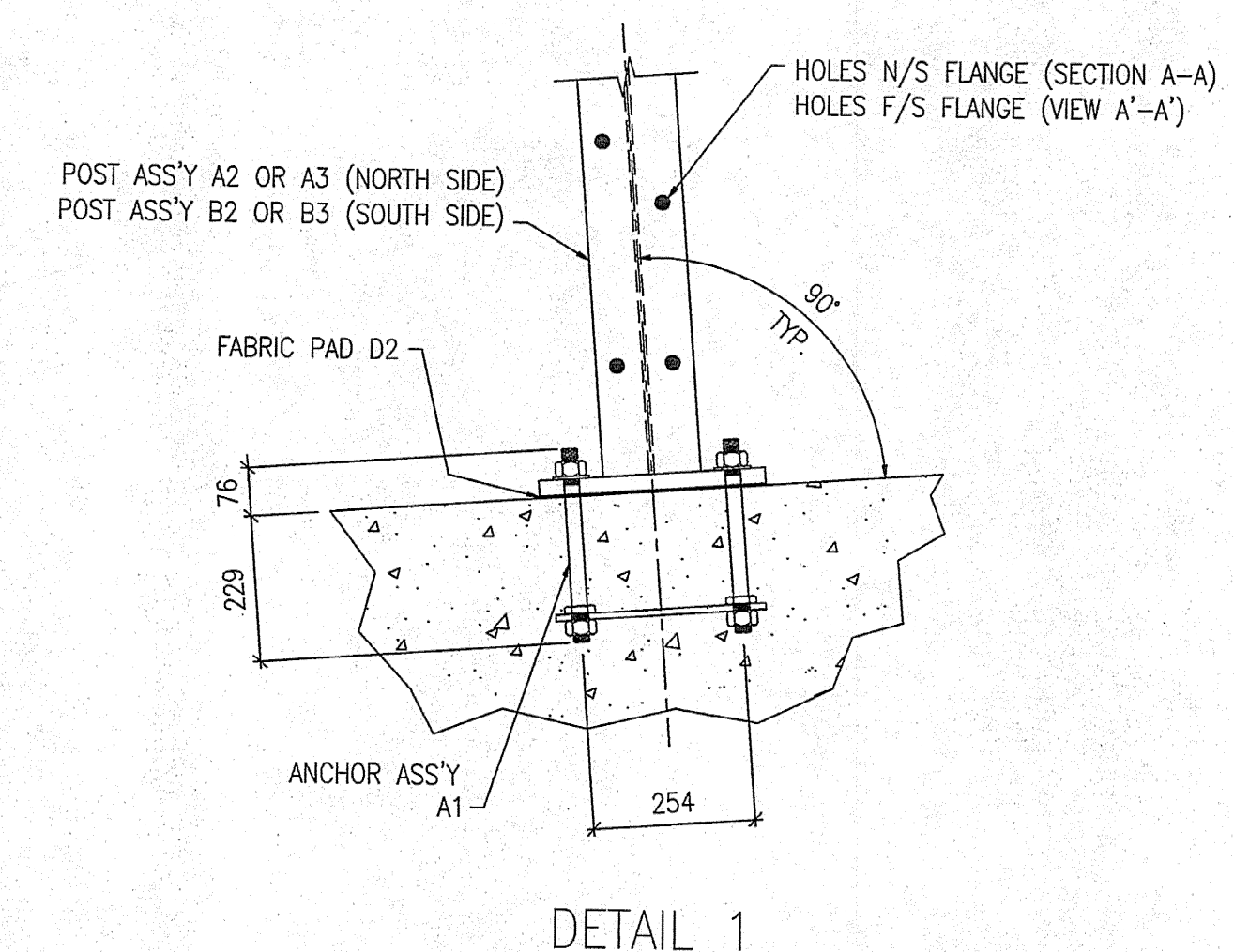
FOR APPROVAL



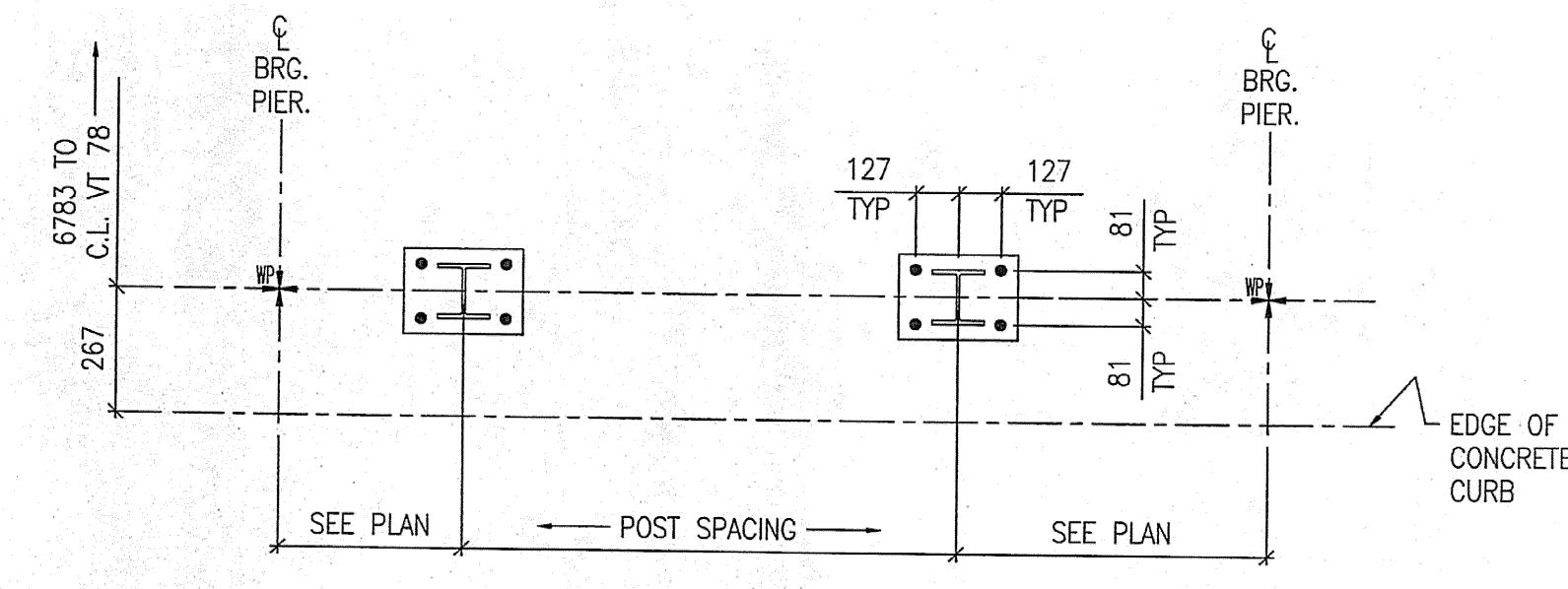
SECTION A-A
VIEW A'-A' (SIM)



SECTION B-B



DETAIL 1



TYPICAL RAILING POST LAYOUT

SHOP DRAWING REVIEW

REVIEWED AS REQUIRED BY THE CONSTRUCTION CONTRACT DOCUMENTS AND APPROVED, BUT ONLY TO THE EXTENT OF THE CONFORMANCE TO THE DESIGN CONCEPT OF THE WORK, AND SUBJECT TO FURTHER EXAMINATIONS AND REQUIREMENTS CONTAINED IN THE CONSTRUCTION CONTRACT DOCUMENTS.

RE-DESIGNED REVISE AND RESUBMIT FURNISH AS CORRECTED

EXPLANATIONS OR COMMENTS MADE ON THE SHOP DRAWINGS DURING THIS REVIEW DO NOT RELIEVE THE CONTRACTOR FROM COMPLIANCE WITH REQUIREMENTS OF THE DRAWINGS AND SPECIFICATIONS. THIS CHECK IS ONLY FOR REVIEW OF GENERAL CONFORMANCE WITH THE DESIGN CONCEPT OF THE PROJECT AND GENERAL COMPLIANCE WITH THE INFORMATION GIVEN IN THE CONTRACT DOCUMENTS. THE CONTRACTOR IS RESPONSIBLE FOR CONFIRMING AND VERIFYING ALL QUANTITIES AND DIMENSIONS; SELECTING FABRICATION PROCESSES AND METHODS OF CONSTRUCTION; COORDINATING HIS WORK WITH THAT OF ALL OTHER TRADES; AND MAINTAINING HIS WORK IN A SAFE AND SATISFACTORY MANNER.

Vanessa Hargen Braslin, Inc.
Engineers, Planners, and Scientists
Six Brothers Farms, Kilton Rd.
Bedford, NH 03110 603 944 0989

Job Number: 50911
Reviewed By: *[Signature]*
Date: 7-7-05

- NOTES:
- FOR BRIDGE RAILING ERECTION PLAN SEE DRAWING E24.
 - ALL RAIL POST ASSEMBLIES TO BE ERECTED WITH FLANGE HOLES FACING CENTER OF BRIDGE.

MAT'L : SEE GN-1		FIELD BOLTS		
HOLES : 22Ø (7/8") U.N.O.		GRADE: A325		
WELD :		*		
ELECTRODE : E70XX				
PREP : SEE GN-1				
PAINT : SEE GN-1				
1	11/01/05	JM	RE-ISSUED FOR APPROVAL	BH
0	09/06/04	JM	ISSUED FOR APPROVAL	BH
REV.	DATE	BY	DESCRIPTION	CHK
WORK				
NETC 4 RAIL-BRIDGE RAILING				
VT. ROUTE 78 OVER MISSISQUOI BAY				
ALBURG - SWANTON, VERMONT				
DRAWING				
RAL POST ANCHOR PLAN - SPAN 2				
SCALE:	N.T.S.	SHEET		E2 Δ
DRAWN:	JM	JOB		050004
CHECK:	BH			