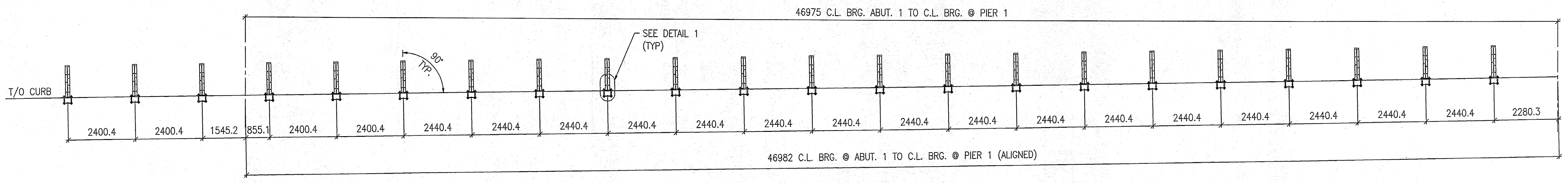
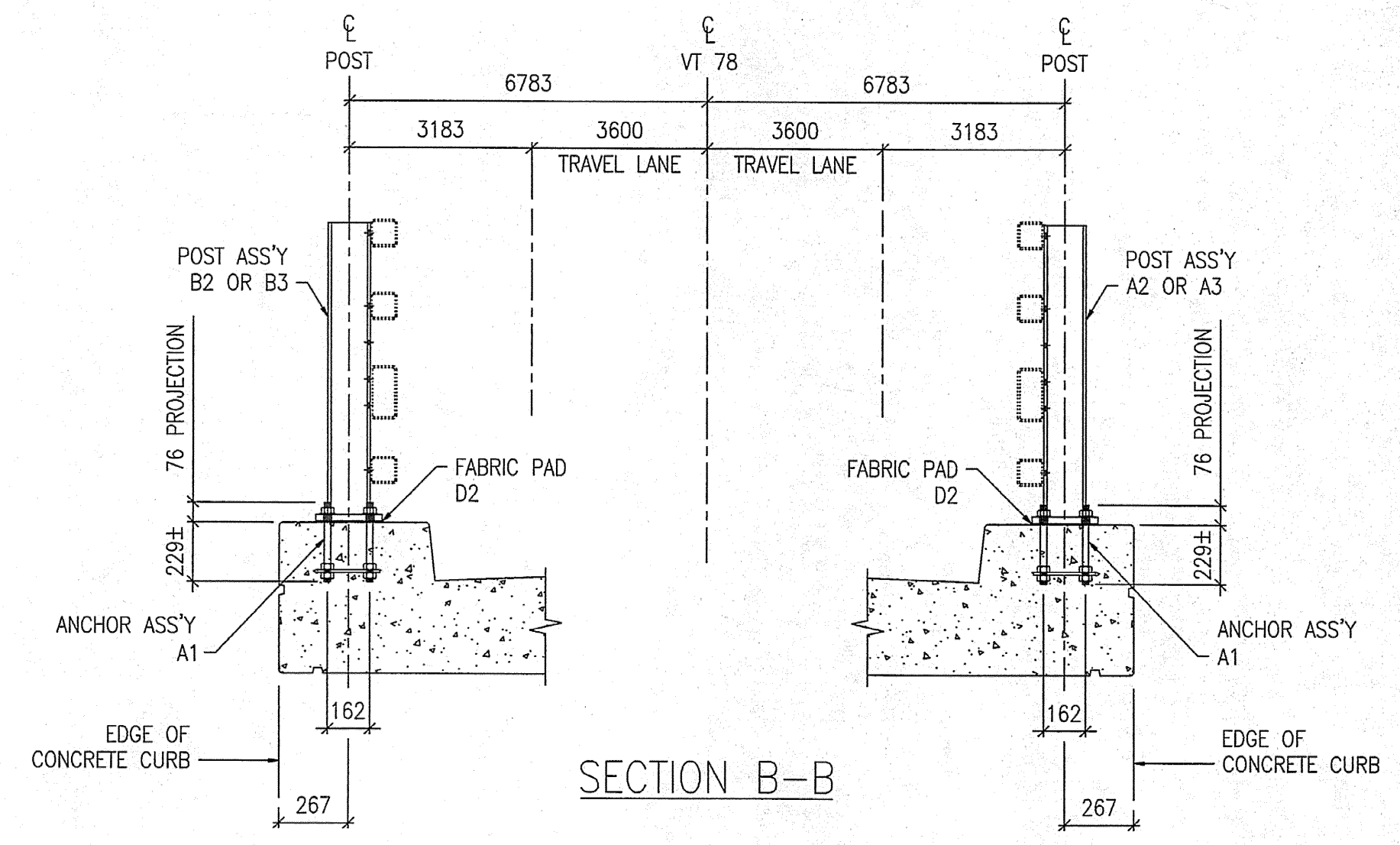


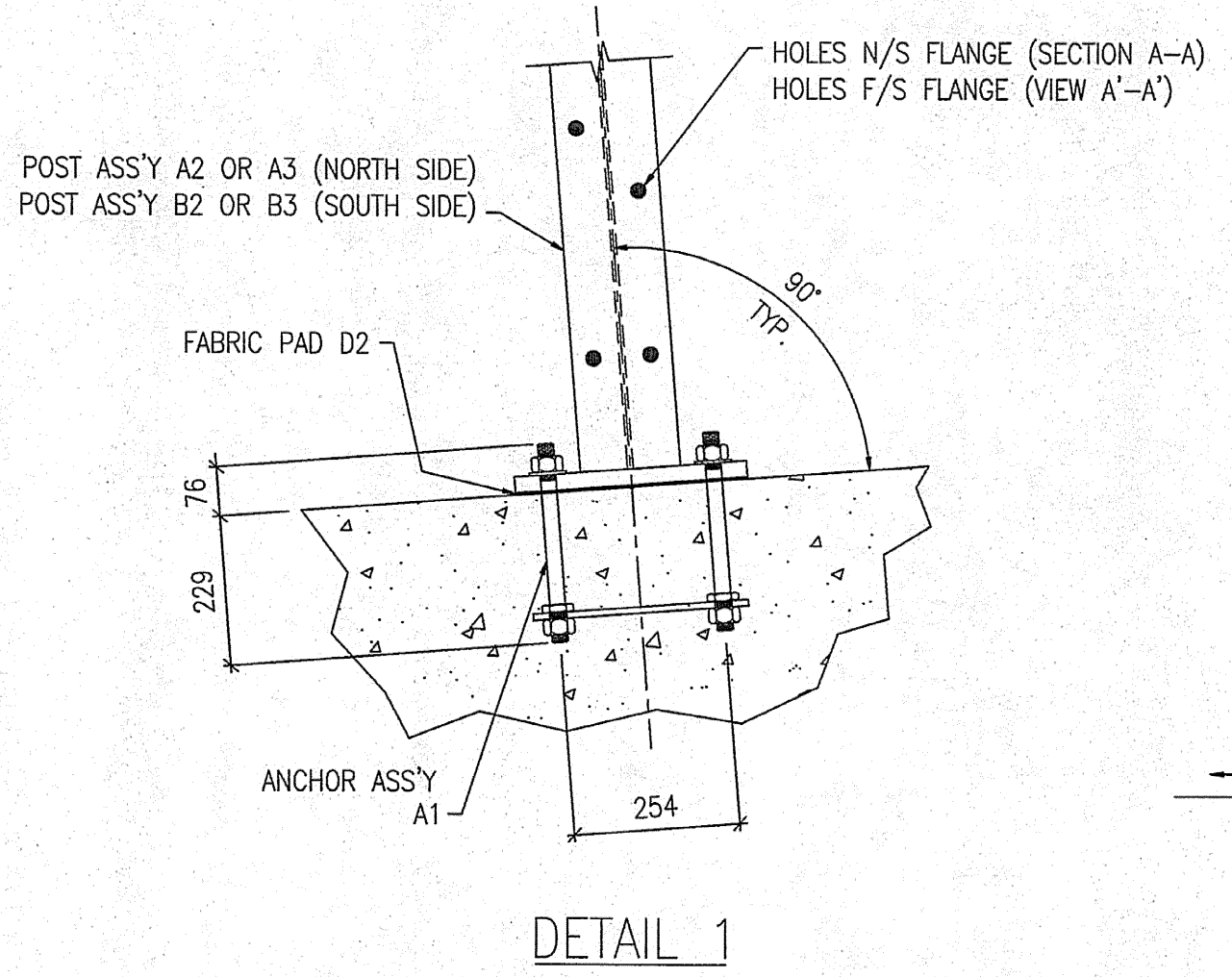
RAIL POST ANCHOR PLAN ~ SPAN 1



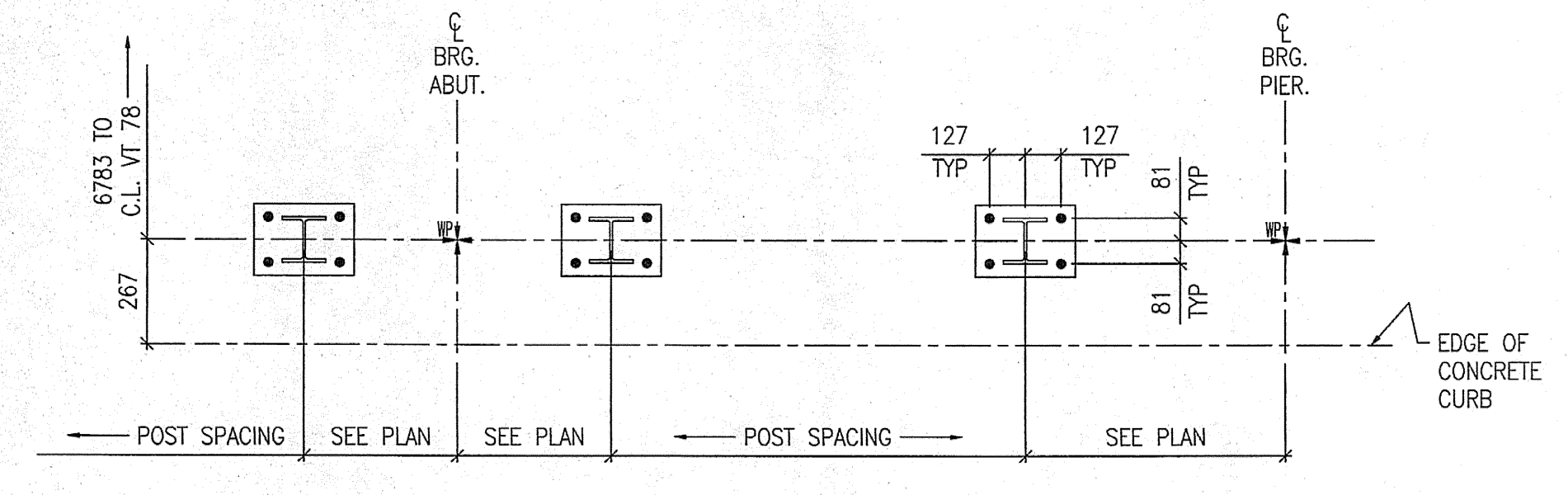
SECTION A-A
VIEW A'-A' (SIM)



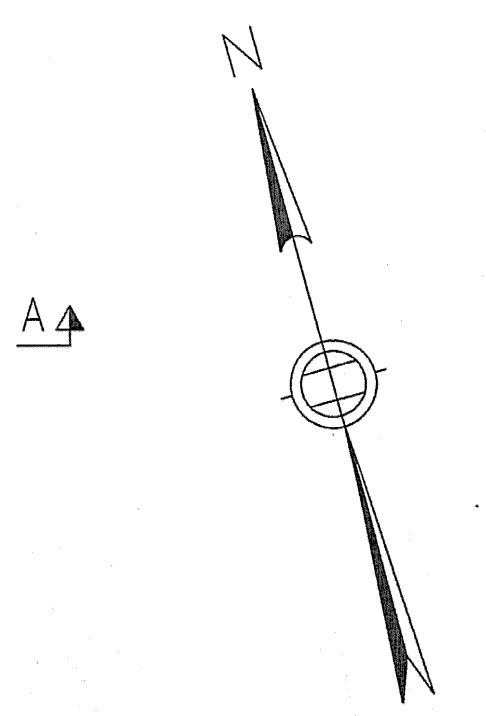
SECTION B-B



DETAIL 1



TYPICAL RAILING POST LAYOUT



FOR APPROVAL

SHOP DRAWING REVIEW

REVIEWED AS REQUIRED BY THE CONSTRUCTION CONTRACT DOCUMENTS. ANY PROPOSED, BUT NOT SHOWN, MATERIALS OR METHODS OF CONSTRUCTION SHALL BE APPROVED BY THE ARCHITECT. THIS CHECK IS ONLY FOR REVIEW OF GENERAL COMPLIANCE WITH THE INTENT AND DESIGN CONCEPT OF THE PROJECT AND GENERAL COMPLIANCE WITH THE INFORMATION GIVEN THEREIN. THE ARCHITECT IS NOT RESPONSIBLE FOR CONSTRUCTION AND PERFORMANCE OF THE WORK. THE CONTRACTOR SHALL BE RESPONSIBLE FOR THE SAFETY AND SATISFACTORY WORKMANSHIP OF THE WORK.

Reviewed By: *[Signature]*
Date: 7-7-05

Job Number: E5011
Reviewed By: *[Signature]*
Date: 7-7-05

MHB
Missouri Highway Builders, Inc.
Six Woodland Frame, Wood Rd.
Barnes, MO 63013-6000

- NOTES:**
- FOR BRIDGE RAILING ERECTION PLAN SEE DRAWING E24.
 - ALL RAIL POST ASSEMBLIES TO BE ERECTED WITH FLANGE HOLES FACING CENTER OF BRIDGE.

MAT'L : SEE GN-1		FIELD BOLTS		
HOLES : 22Ø (7/8") U.N.O.		GRADE:	A325	
WELD :				
ELECTRODE : E70XX				
PREP : SEE GN-1				
PAINT : SEE GN-1				
REV.	DATE	BY	DESCRIPTION	CHK
1	11/01/05	JM	RE-ISSUED FOR APPROVAL	BH
0	09/06/04	JM	ISSUED FOR APPROVAL	BH
WORK NETC 4 RAIL-BRIDGE RAILING VT. ROUTE 78 OVER MISSISSQUOI BAY ALBURG - SWANTON, VERMONT				
DRAWING RAIL POST ANCHOR PLAN - SPAN 1				
SCALE:	N.T.S.	SHEET		E1
DRAWN:	JM	CORPORATION		JOB
CHECK:	BH	PITTSFIELD MAINE		050004