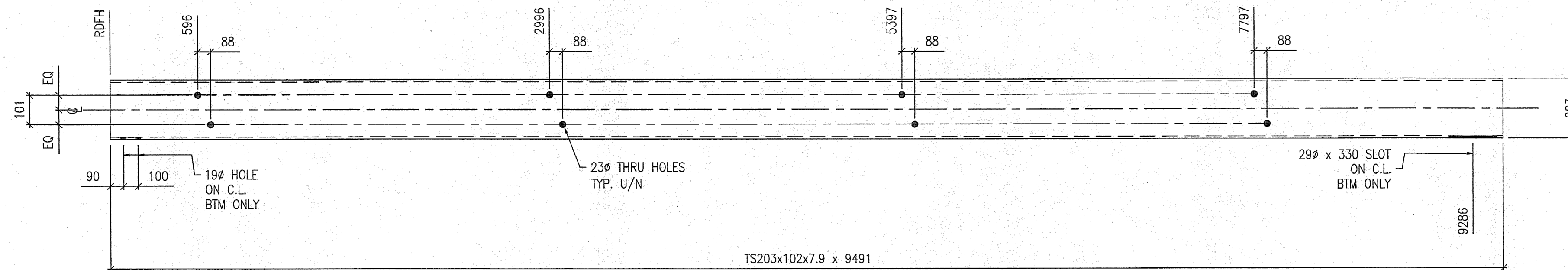


A12 ~ 6 REQ'D



B12 ~ 2 REQ'D

| BILL OF MATERIAL | | | | |
|------------------|------|---------------|--------|-------------|
| MARK | QTY. | MATERIAL | LENGTH | GR. REMARKS |
| A12 | 6 | TS102x102x6.4 | 9491 | Galv. HD |
| B12 | 2 | TS203x102x7.9 | 9491 | Galv. HD |
| TOTAL WEIGHT: | | | | |

FOR APPROVAL

| SHOP DRAWING REVIEW | |
|--|---|
| <input type="checkbox"/> REVIEWED AS REQUIRED BY THE CONSTRUCTION CONTRACT DOCUMENTS AND APPROVED, BUT ONLY FOR CONFORMANCE TO THE DESIGN CONCEPT OF THE WORK, AND SUBJECT TO FURTHER LIMITATIONS AND REQUIREMENTS CONTAINED IN THE CONSTRUCTION CONTRACT DOCUMENTS. | <input checked="" type="checkbox"/> FURNISH AS CORRECTED |
| <input type="checkbox"/> REJECTED | <input type="checkbox"/> REVISE AND RESUBMIT |
| CORRECTIONS OR COMMENTS MADE ON THE SHOP DRAWINGS DURING THIS REVIEW DO NOT RELIEVE CONTRACTOR FROM COMPLIANCE WITH REQUIREMENTS OF THE DRAWINGS AND SPECIFICATIONS. THIS CHECK IS ONLY FOR REVIEW OF GENERAL CONFORMANCE WITH THE DESIGN CONCEPT OF THE PROJECT AND GENERAL COMPLIANCE WITH THE INFORMATION GIVEN IN THE CONTRACT DOCUMENTS. THE CONTRACTOR IS RESPONSIBLE FOR: CONFIRMING AND CORRELATING ALL QUANTITIES AND DIMENSIONS; SELECTING FABRICATION PROCESSES AND TECHNIQUES OF CONSTRUCTION; COORDINATING HIS WORK WITH THAT OF ALL OTHER TRADES; AND PERFORMING HIS WORK IN A SAFE AND SATISFACTORY MANNER. | |
| VHB Varnasse Hangen Brustlin, Inc. Engineers, Planners, and Scientists Six Bedford Farms, Hilton Rd. Bedford, NH 03110 603-644-0888 | Job Number: 3001 Reviewed By: <i>SMA</i> Date: 7-7-05 |

NOTES:

1. ALL PARTS TO BE GALVANIZED AFTER FABRICATION IN ACCORDANCE WITH AASHTO M 111M, EXCEPT THAT HARDWARE SHALL MEET THE REQUIREMENTS OF AASHTO M 232M.
2. REFERENCE ERECTION DRAWINGS E25 AND E26.

| | | | | |
|--|----------|---|------------------------|-----|
| MAT'L : ASTM A500 GR.B | | FIELD BOLTS | | |
| HOLES : AS NOTED ON DWG. | | GRADE: A325 | | |
| WELD : | | | | |
| ELECTRODE : E70XX | | | | |
| PREP : SEE GN-1 | | | | |
| PAINT : SEE GN-1 | | | | |
| REV. | DATE | BY | DESCRIPTION | CHK |
| 1 | 11/01/05 | JM | RE-ISSUED FOR APPROVAL | BH |
| 0 | 09/06/04 | JM | ISSUED FOR APPROVAL | BH |
| WORK NETC 4 RAIL-BRIDGE RAILING VT. ROUTE 78 OVER MISSISQUOI BAY ALBURG - SWANTON, VERMONT | | | | |
| DRAWING BRIDGE RAILING DETAILS | | | | |
| SCALE: | N.T.S. | SHEET 12 | | △ |
| DRAWN: | JM | JOB 050004 | | |
| CHECK: | BH | CIANBRO CORPORATION PITTSFIELD MAINE | | |