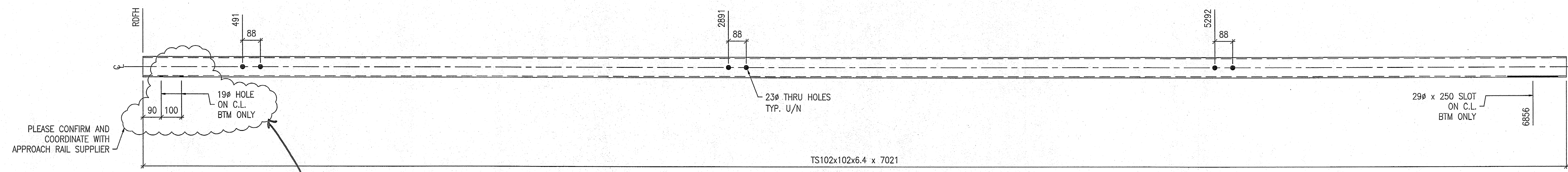
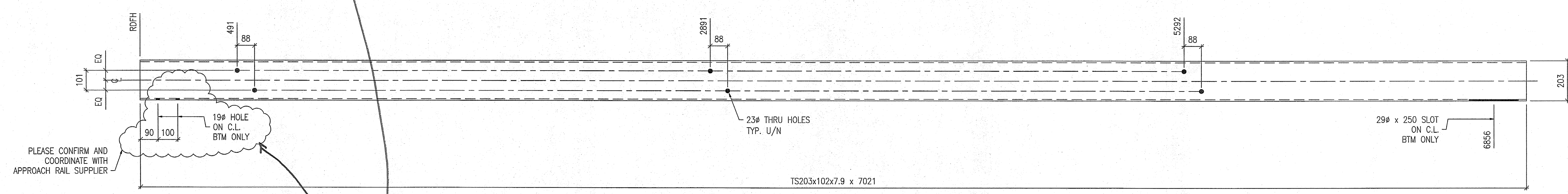


BILL OF MATERIAL					
MARK	QTY.	MATERIAL	LENGTH	GR.	REMARKS
A5	6	TS102x102x6.4	7021		GALV. HD
B5	2	TS203x102x7.9	7021		GALV. HD
TOTAL WEIGHT:					



A5 ~ 6 REQ'D



B5 ~ 2 REQ'D

PLEASE CONFIRM AND COORDINATE WITH APPROACH RAIL SUPPLIER

PLEASE CONFIRM AND COORDINATE WITH APPROACH RAIL SUPPLIER

CIANBRO/CONTRACTOR TO VERIFY

FOR APPROVAL

SHOP DRAWING REVIEW	
<input type="checkbox"/> REVIEWED AS REQUIRED BY THE CONSTRUCTION CONTRACT DOCUMENTS AND APPROVED, BUT ONLY FOR CONFORMANCE TO THE DESIGN CONCEPT OF THE WORK, AND SUBJECT TO FURTHER LIMITATIONS AND REQUIREMENTS CONTAINED IN THE CONSTRUCTION CONTRACT DOCUMENTS.	<input checked="" type="checkbox"/> FURNISH AS CORRECTED
<input type="checkbox"/> REJECTED	<input type="checkbox"/> REVISE AND RESUBMIT
CORRECTIONS OR COMMENTS MADE ON THE SHOP DRAWINGS DURING THIS REVIEW DO NOT RELIEVE CONTRACTOR FROM COMPLIANCE WITH REQUIREMENTS OF THE DRAWINGS AND SPECIFICATIONS. THIS CHECK IS ONLY FOR REVIEW OF GENERAL CONFORMANCE WITH THE DESIGN CONCEPT OF THE PROJECT AND GENERAL COMPLIANCE WITH THE INFORMATION GIVEN IN THE CONTRACT DOCUMENTS. THE CONTRACTOR IS RESPONSIBLE FOR: CONFIRMING AND CORRELATING ALL QUANTITIES AND DIMENSIONS; SELECTING FABRICATION PROCESSES AND TECHNIQUES OF CONSTRUCTION; COORDINATING HIS WORK WITH THAT OF ALL OTHER TRADES; AND PERFORMING HIS WORK IN A SAFE AND SATISFACTORY MANNER.	
<b>VHB</b> Vanasse Hangen Brustlin, Inc. Engineers, Planners, and Scientists Six Bedford Farms, Milton Rd. Bedford, NH 03110 603 844 0055	Job Number: 50511 Reviewed By: <i>[Signature]</i> Date: 7-7-05

- NOTES:
1. ALL PARTS TO BE GALVANIZED AFTER FABRICATION IN ACCORDANCE WITH AASHTO M 111M, EXCEPT THAT HARDWARE SHALL MEET THE REQUIREMENTS OF AASHTO M 232M.
  2. REFERENCE ERECTION DRAWINGS E24.

MATERIALS		FIELD BOLTS	
MAT'L : ASTM A500 GR.B		GRADE: A325	
HOLES : AS NOTED ON DWG.		*	
WELD :			
ELECTRODE : E70XX			
PREP : SEE GN-1			
PAINT : SEE GN-1			

REV.	DATE	BY	DESCRIPTION	CHK
1	11/01/05	JM	RE-ISSUED FOR APPROVAL	BH
0	18/06/04	JM	ISSUED FOR APPROVAL	BH

WORK NETC 4 RAIL-BRIDGE RAILING  
VT. ROUTE 78 OVER MISSISQUOI BAY  
ALBURG - SWANTON, VERMONT

DRAWING BRIDGE RAILING DETAILS

SCALE: N.T.S.	CIANBRO CORPORATION PITTSFIELD MAINE	SHEET 05 $\Delta$
DRAWN: JM		JOB 050004
CHECK: BH		