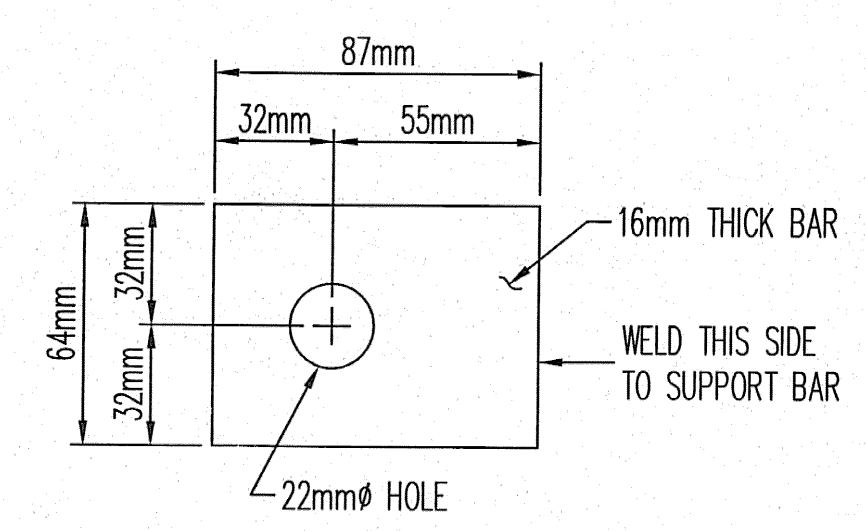
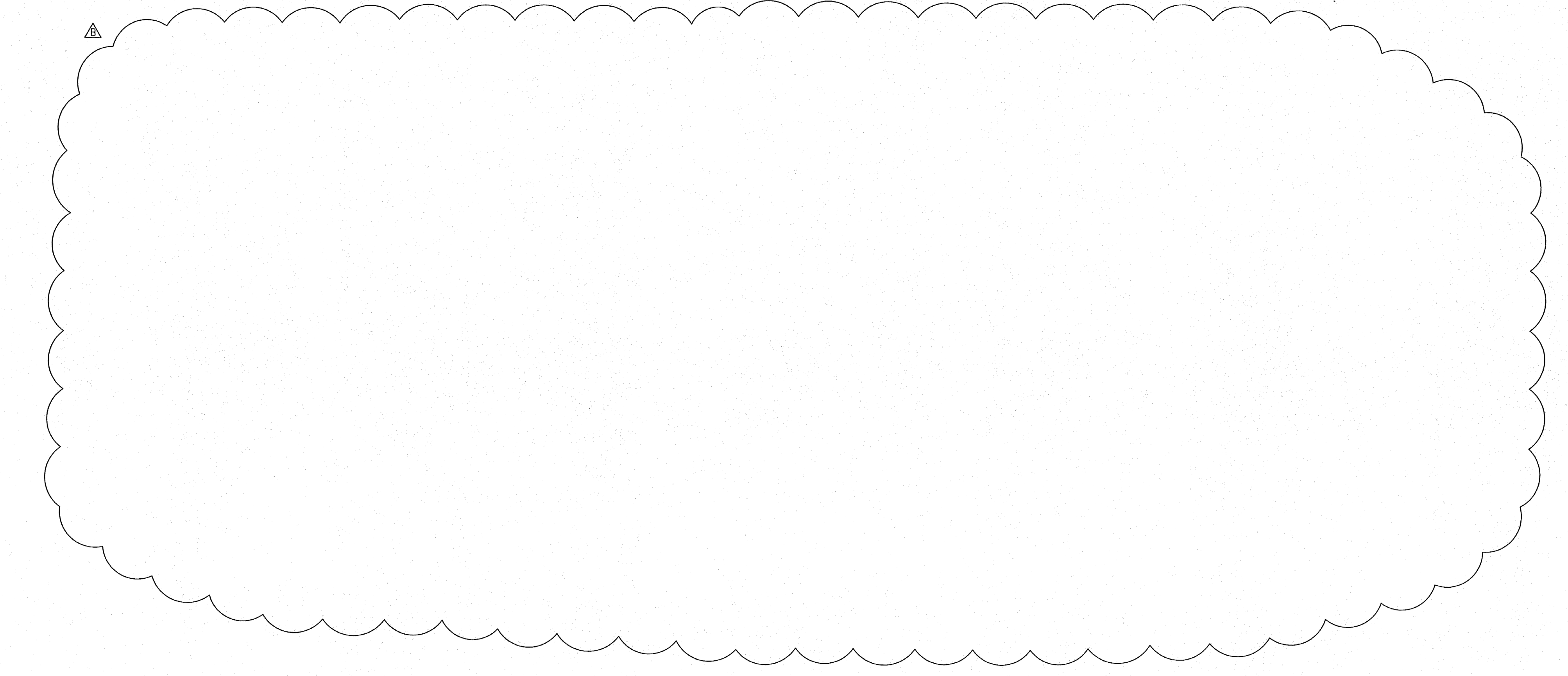


ITEM NO. s30  
( 48 ) REQ'D.  
"D-400" EXTERIOR  
SPRING STOP DETAIL



ITEM NO. s31  
( 144 ) REQ'D.  
"D-400" INTERIOR  
SPRING STOP DETAIL



**SHOP DRAWING REVIEW**

REVIEWED AS REQUIRED BY THE CONSTRUCTION CONTRACT DOCUMENTS AND APPROVED, BUT ONLY FOR CONFORMANCE TO THE DESIGN CONCEPT OF THE WORK, AND SUBJECT TO FURTHER LIMITATIONS AND REQUIREMENTS CONTAINED IN THE CONSTRUCTION CONTRACT DOCUMENTS.

REJECTED       REVISE AND RESUBMIT       FURNISH AS CORRECTED

CORRECTIONS OR COMMENTS MADE ON THE SHOP DRAWINGS DURING THIS REVIEW DO NOT RELIEVE CONTRACTOR FROM COMPLIANCE WITH REQUIREMENTS OF THE DRAWINGS AND SPECIFICATIONS. THIS CHECK IS ONLY FOR REVIEW OF GENERAL CONFORMANCE WITH THE DESIGN CONCEPT OF THE PROJECT AND GENERAL COMPLIANCE WITH THE INFORMATION GIVEN IN THE CONTRACT DOCUMENTS. THE CONTRACTOR IS RESPONSIBLE FOR OBTAINING AND CORRELATING ALL QUANTITIES AND DIMENSIONS, SELECTING FABRICATION PROCESSES AND TECHNIQUES OF CONSTRUCTION, COORDINATING HIS WORK WITH THAT OF ALL OTHER TRADES, AND PERFORMING HIS WORK IN A SAFE AND SATISFACTORY MANNER.

**VHB** Vanasse Hangen Brustlin, Inc.  
Engineers, Planners, and Scientists  
Site Bedford Farms, Kilton Rd.  
Bedford, NH 03110 603 844 0280

Job Number: 50911  
Reviewed By: SLH  
Date: 6/1/06

REV.	DESCRIPTION	DATE	DET.	CKD.
△	REMOVED SUPPORT BAR DETAILS; MODIFIED ITEMS IN TITLE BLOCK	04/02/06	RES	JLW
△	MODIFIED SUPPORT BAR DETAILS	10/25/05	RES	JLW

DESCRIPTION	ITEM	QUANTITY
LOCATION — VT 78 OVER MISSISQUOI BAY	—	—
BRIDGE — 2	—	—
PROJECT NO. — BRF 036-1 (1)	—	—
TOWN — ALBURG AND SWANTON	—	—
P.O. NO. — P078559 MIS	—	—
SUPERVISOR — MARK KACZINSKI	—	—
CUSTOMER — CIAMBRO CORPORATION	—	—

SCALE: N.T.S.	DRAWN BY: RES	CHECKED BY: JLW	DATE: 03-22-05	BRIDGE SHEET: 12 OF 15
PRODUCT NUMBER: 12244	PRODUCT CODE: 1021	RELEASE: 1	SHEET: 12	

**D.S. BROWN**

300 E. CHERRY STREET  
NORTH BALTIMORE, OHIO 45872  
419.257.3561  
FAX: 419.257.0332

4201 NOREX DRIVE  
CHASKA, MINNESOTA 55318  
952.368.3000  
FAX: 952.448.7000  
DSBROWN.COM