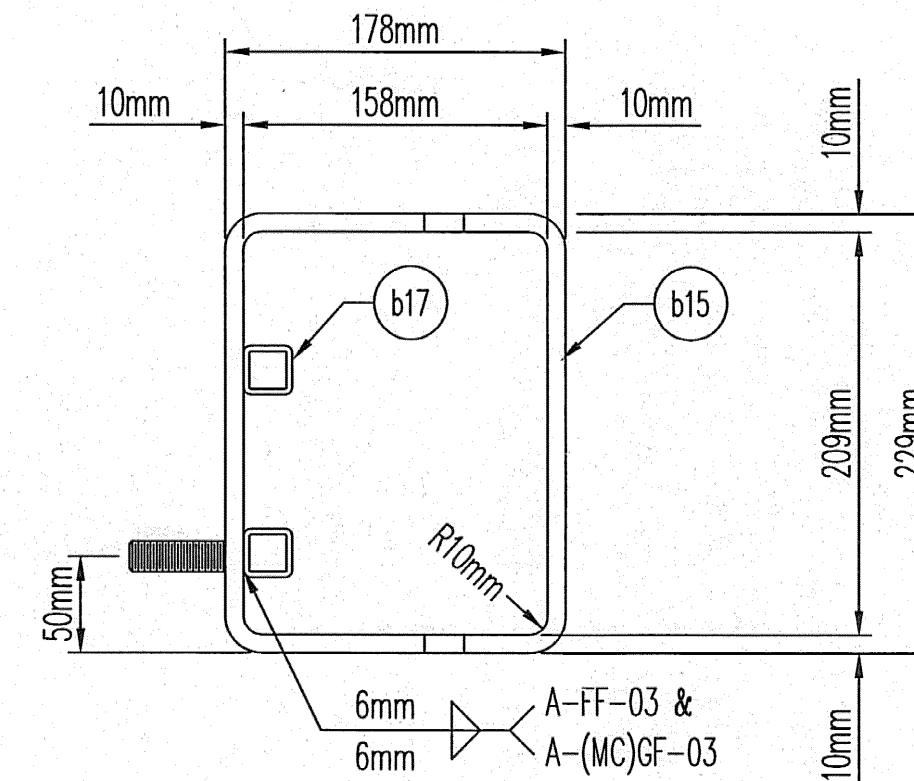


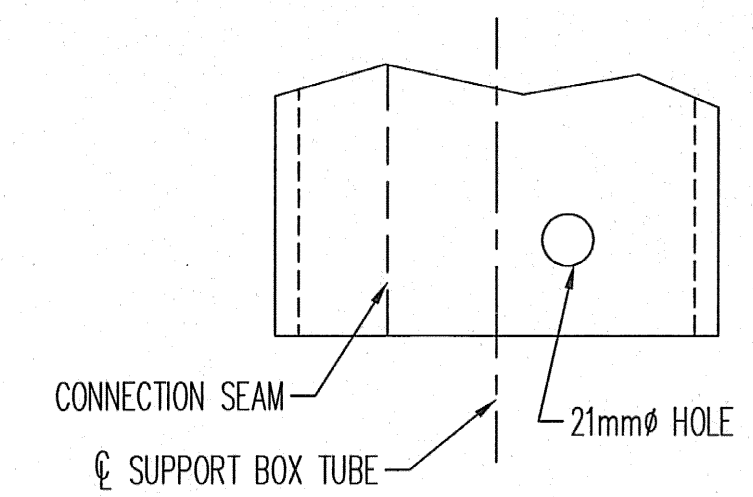
ITEM	DESCRIPTION	QTY.
g14	16mm ϕ -11UNC X 50mm THREADED STUD	24
b15	10mm THICK SUPPORT BOX TUBE	12
b17	25mm SQUARE X 38mm LONG TUBING	24
b18	SUPPORT BOX END CAP	12

FOR SHOP USE ONLY

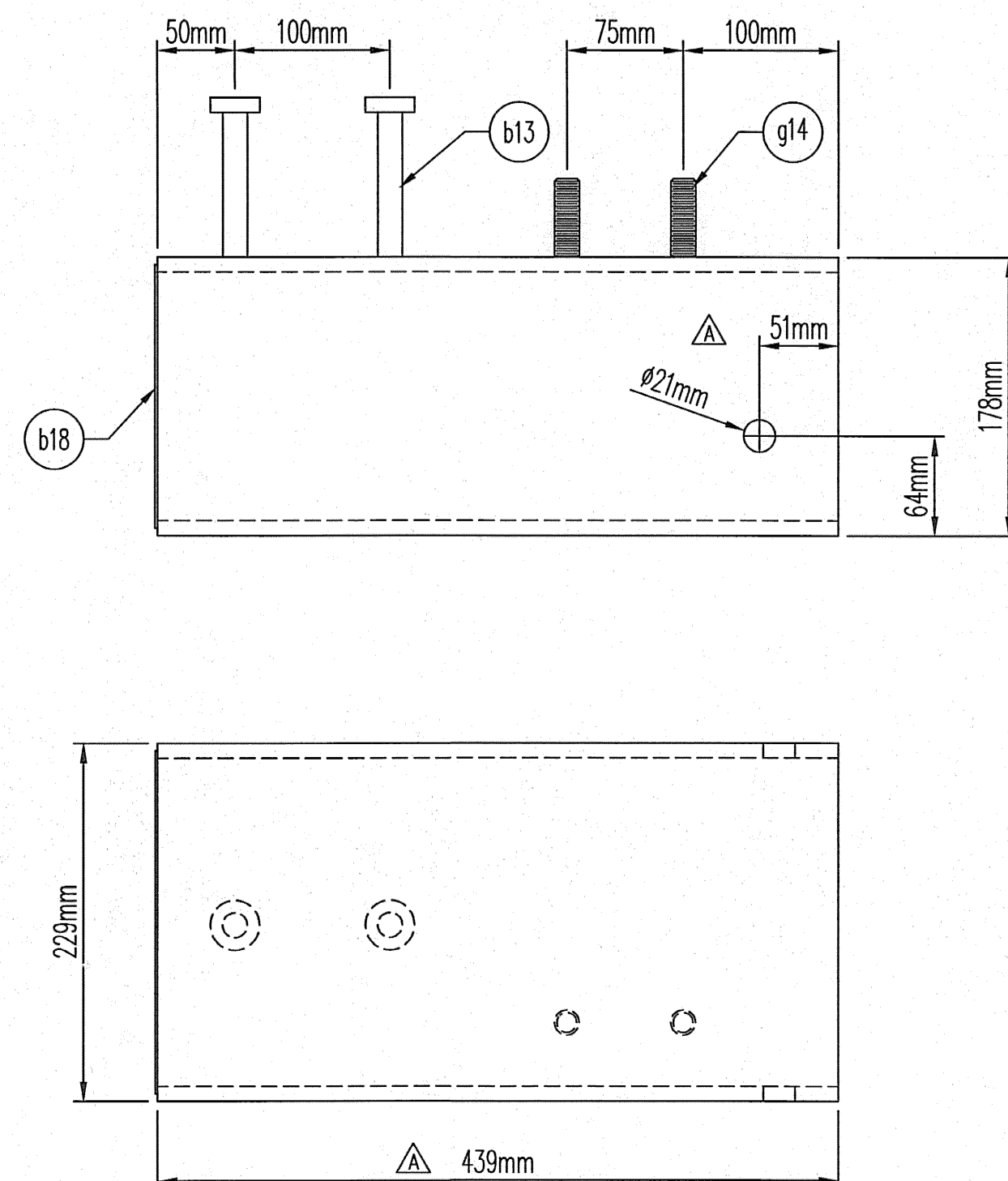


"D-400" SUPPORT BOX DETAILS
(SHORT LENGTH)

(12) REQUIRED
PLAN VIEW NO. 2

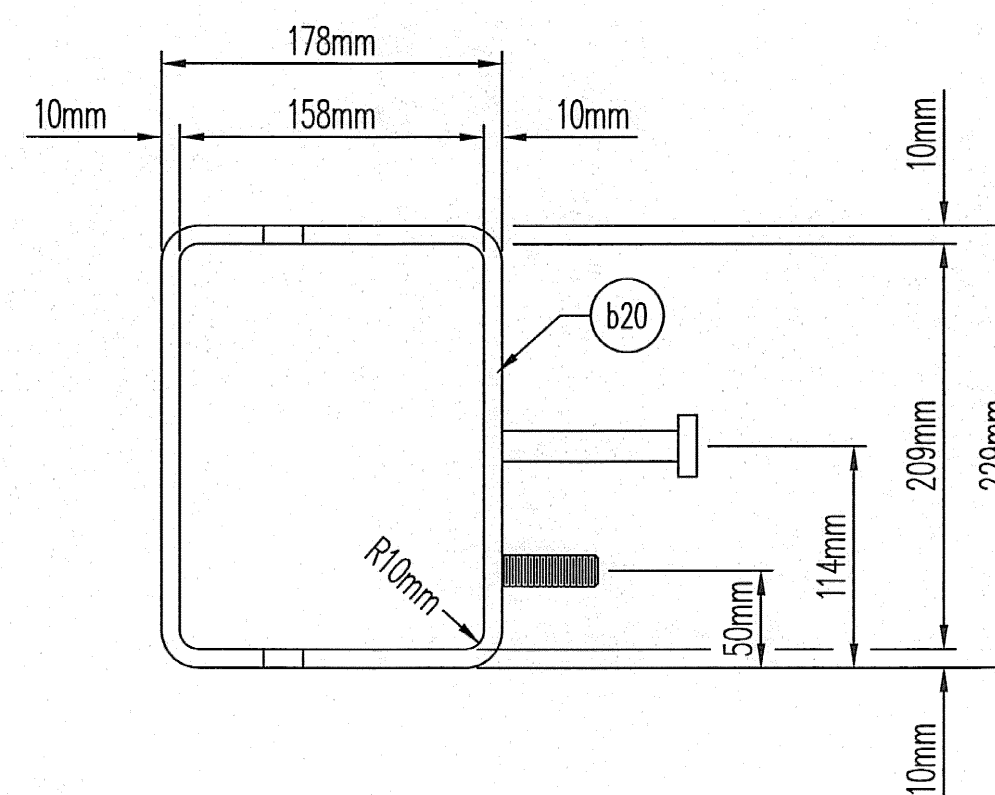


SHOP NOTE:
WHEN DRILLING 21mm ϕ HOLES INTO SUPPORT BOX TUBE, BE SURE THE SEAM OF THE TUBE IS ON THE OPPOSITE SIDE IN RELATIONSHIP TO THE ϕ OF BOX.



ITEM	DESCRIPTION	QTY.
b13	16mm ϕ X 102mm STUD ANCHOR	24
g14	16mm ϕ -11UNC X 50mm THREADED STUD	24
b20	10mm THICK SUPPORT BOX TUBE	12
b18	SUPPORT BOX END CAP	12

FOR SHOP USE ONLY



"D-400" SUPPORT BOX DETAILS
(LONG LENGTH)

(12) REQUIRED
PLAN VIEW NO. 2

SHOP DRAWING REVIEW	
<input type="checkbox"/> REVIEWED AS REQUIRED BY THE CONSTRUCTION CONTRACT DOCUMENTS AND APPROVED, BUT ONLY FOR CONFORMANCE TO THE DESIGN CONCEPT OF THE WORK, AND SUBJECT TO FURTHER LIMITATIONS AND REQUIREMENTS CONTAINED IN THE CONSTRUCTION CONTRACT DOCUMENTS.	
<input type="checkbox"/> REJECTED	<input type="checkbox"/> REVISE AND RESUBMIT
<input checked="" type="checkbox"/> CORRECTIONS OR COMMENTS MADE ON THE SHOP DRAWINGS DURING THIS REVIEW DO NOT RELIEVE CONTRACTOR FROM COMPLIANCE WITH REQUIREMENTS OF THE DRAWINGS AND SPECIFICATIONS. THIS CHECK IS ONLY FOR REVIEW OF GENERAL CONFORMANCE WITH THE DESIGN CONCEPT OF THE PROJECT AND GENERAL COMPLIANCE WITH THE INFORMATION GIVEN IN THE CONTRACT DOCUMENTS. THE CONTRACTOR IS RESPONSIBLE FOR CONFIRMING AND CORRELATING ALL QUANTITIES AND DIMENSIONS; SELECTING FABRICATION PROCESSES AND TECHNIQUES OF CONSTRUCTION; COORDINATING HIS WORK WITH THAT OF ALL OTHER TRADES; AND PERFORMING HIS WORK IN A SAFE AND SATISFACTORY MANNER.	
VHB Vannesse Hengen Brustlin, Inc. Engineers, Planners, and Scientists 50 Bedford Farms, Kilton Rd. Bedford, NH 05110 603 844 0288	Job Number: <u>50911</u> Reviewed By: <u>SAH</u> Date: <u>6/1/06</u>

REV.	DESCRIPTION	DATE	DET.	CKD.
△	MODIFIED ITEMS IN TITLE BLOCK	04/02/06	RES	JLW
△	MODIFIED SUPPORT BOX LENGTHS	11/08/05	RES	JLW

LOCATION	ITEM	QUANTITY
BRIDGE — 2	—	—
PROJECT NO. — BRF 036-1 (1)	—	—
TOWN — ALBURG AND SWANTON	—	—
P.O. NO. — P078559 MIS	—	—
SUPERVISOR — MARK KACZINSKI	—	—
CUSTOMER — CIANBRO CORPORATION	—	—

SCALE:	DRAWN BY:	CHECKED BY:	DATE:	BRIDGE SHEET:
N.T.S.	RES	JLW	03-22-05	11 OF 15
PROJECT NUMBER:	PRODUCT CODE:	RELEASE:	SHEET:	
12244	1021	1	11	

D.S. BROWN
300 E. CHERRY STREET
NORTH BALTIMORE, OHIO 45872
419.257.3561
FAX: 419.257.0332
4201 NOREX DRIVE
CHASKA, MINNESOTA 55318
952.368.3000
FAX: 952.448.7000
DSBROWN.COM